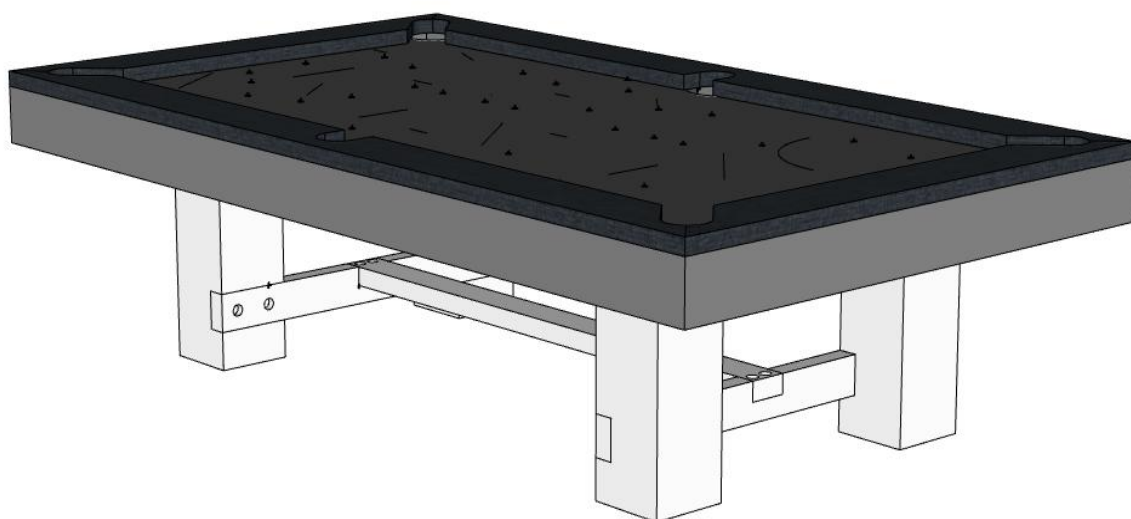


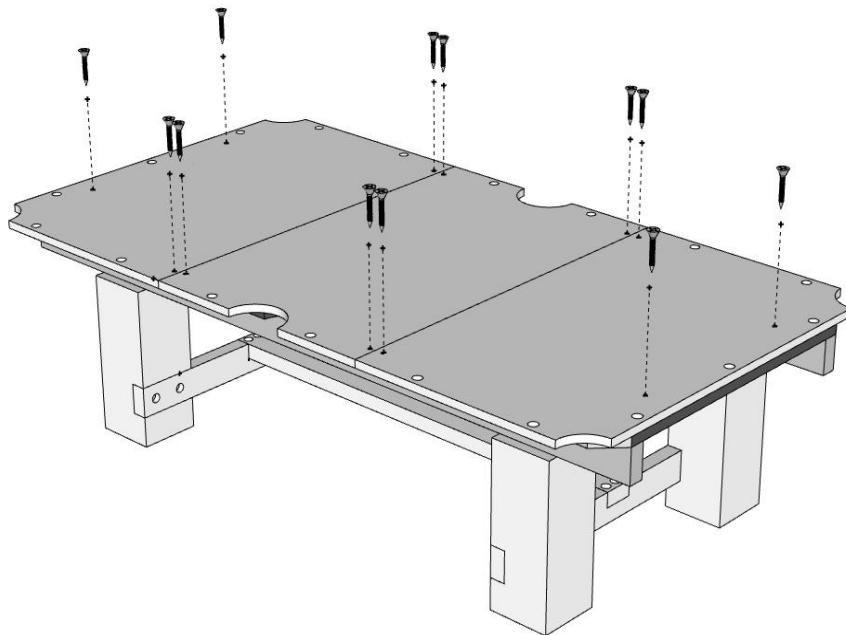
# INSTALLATION INSTRUCTIONS

WYJ003

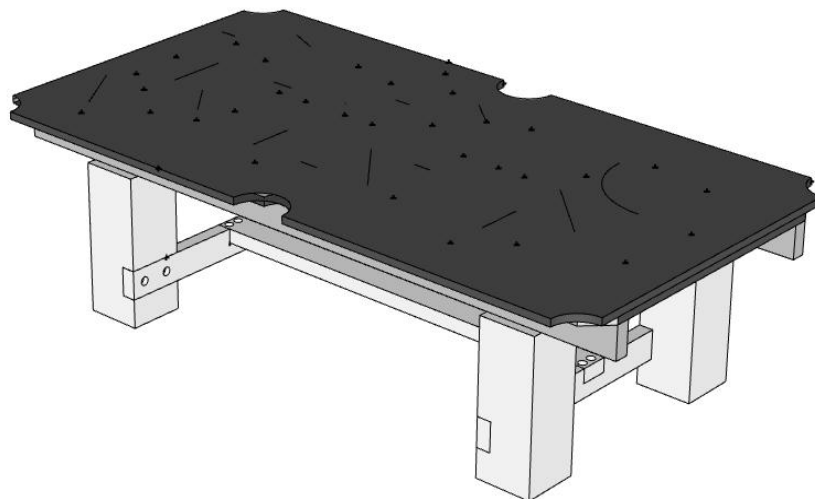




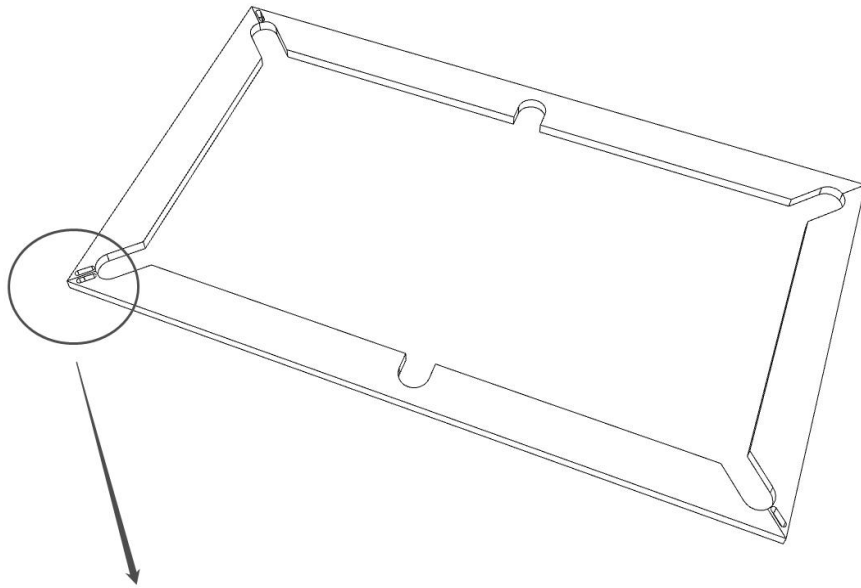
**FIG.3**



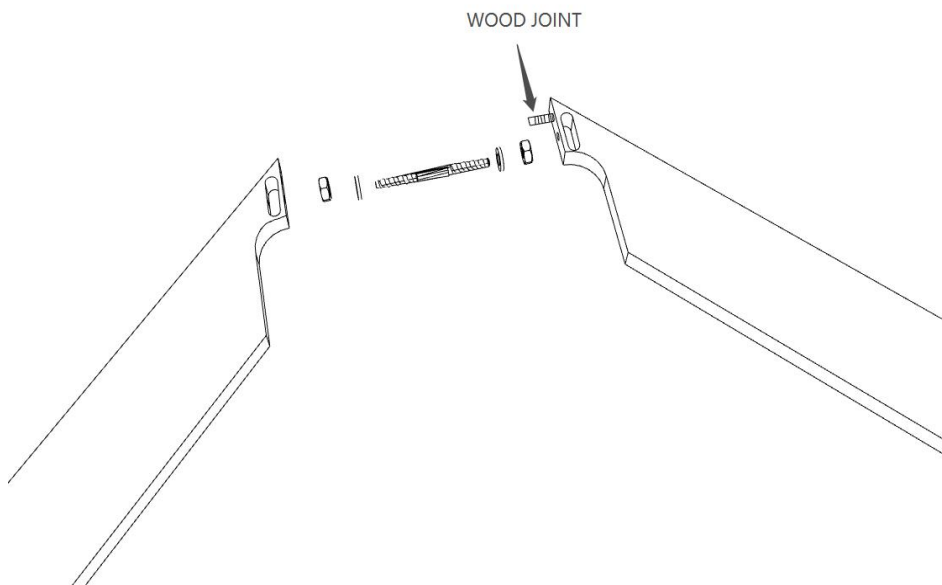
**FIG.4**

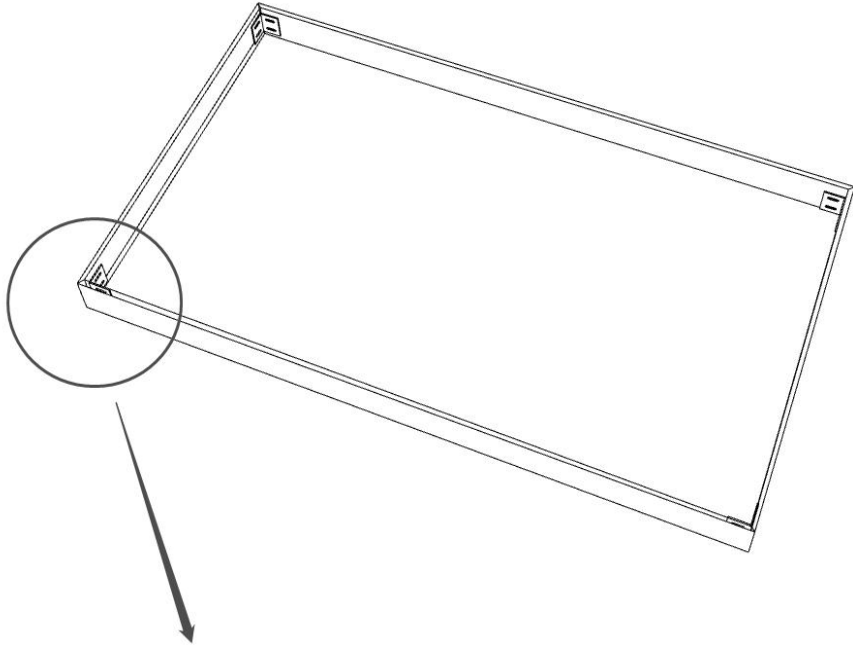


**FIG.5**

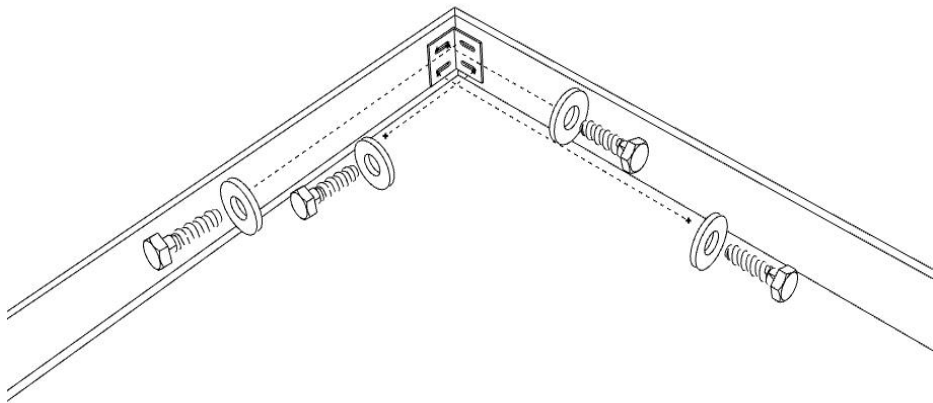


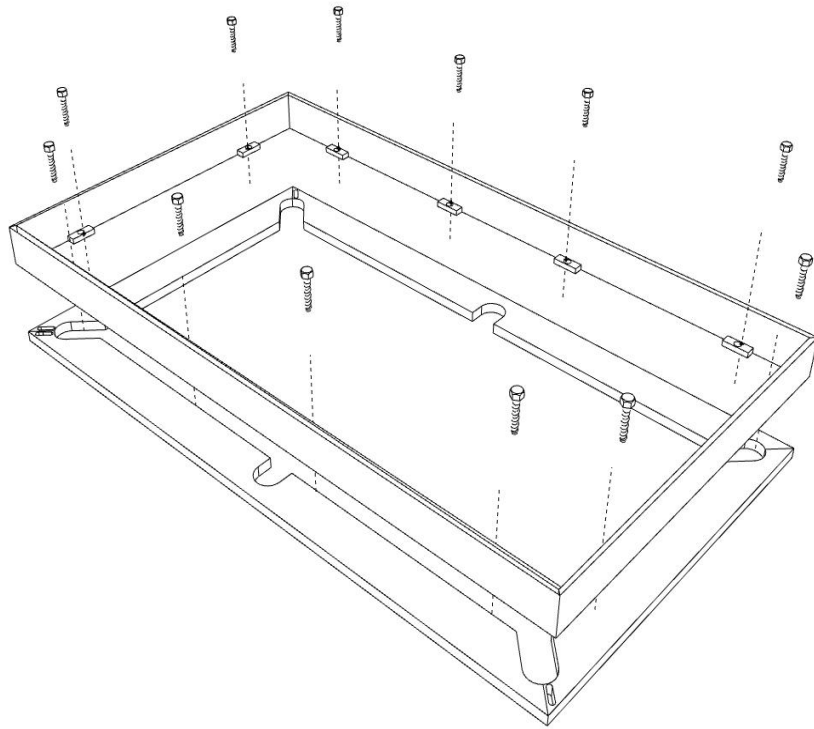
**FIG.6**





**FIG.7**





**FIG.8**

