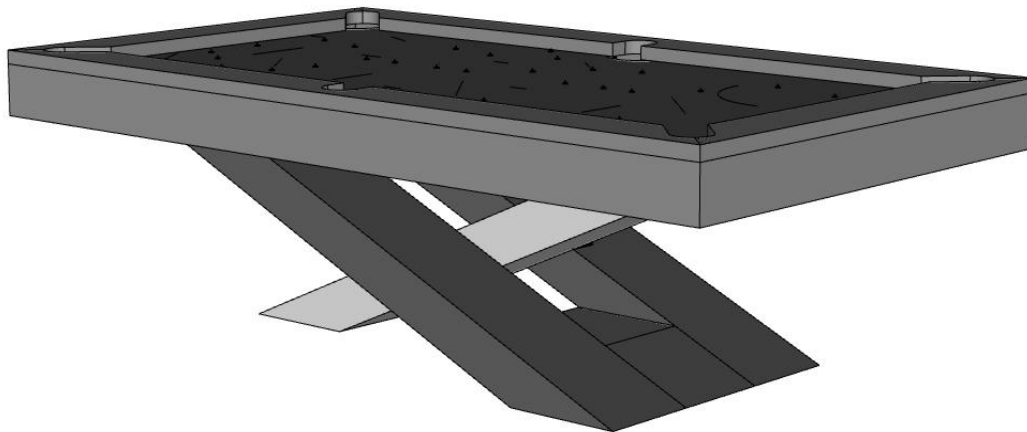
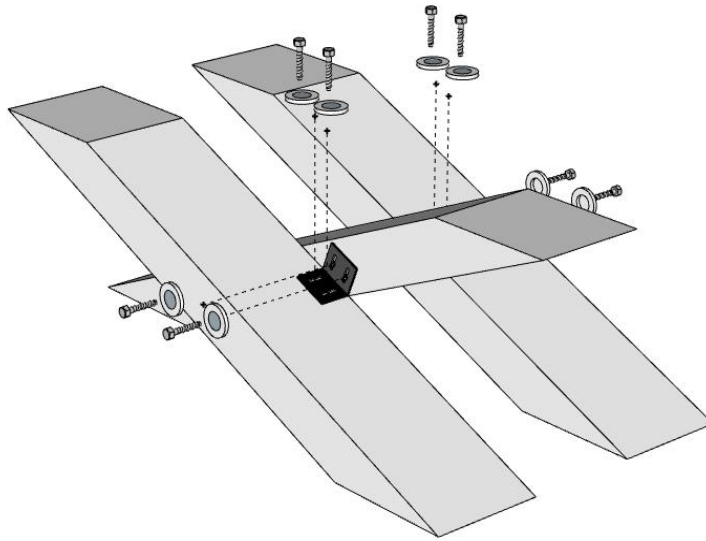


# INSTALLATION INSTRUCTIONS

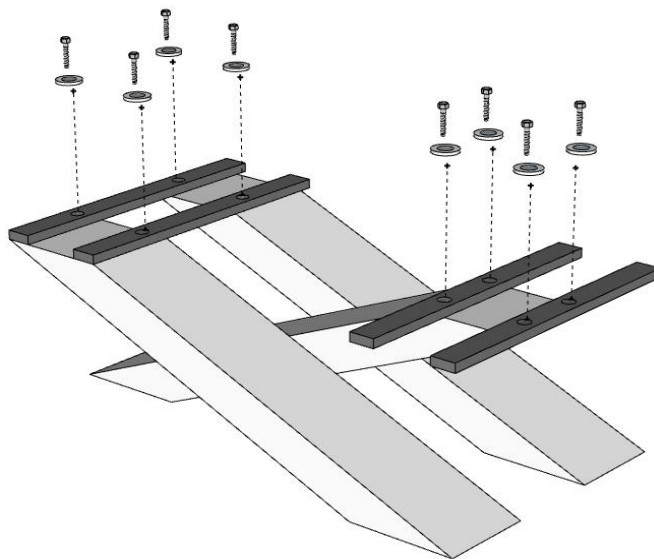
WP09



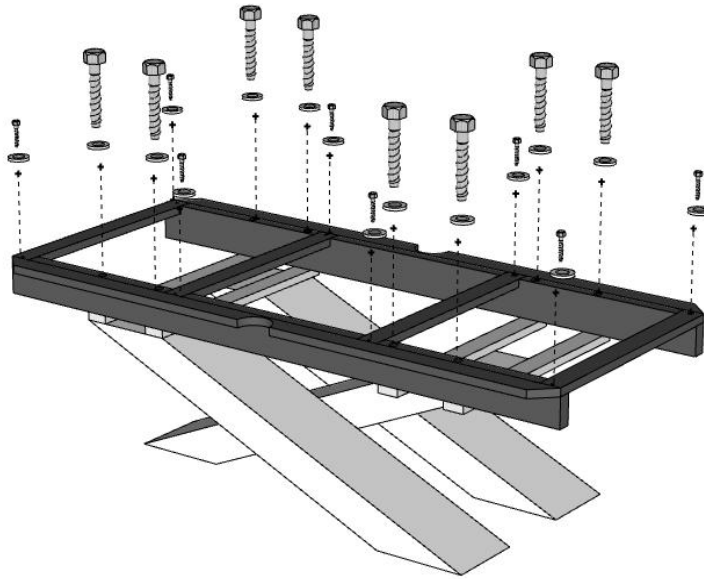
**FIG.1**



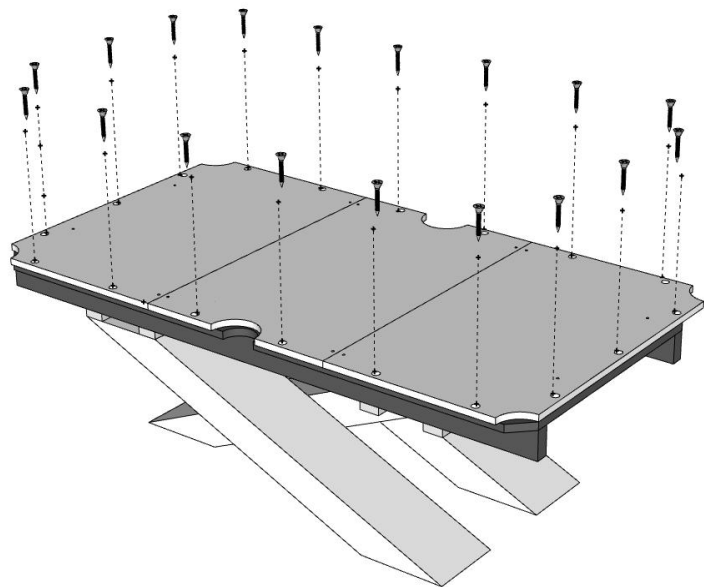
**FIG.2**



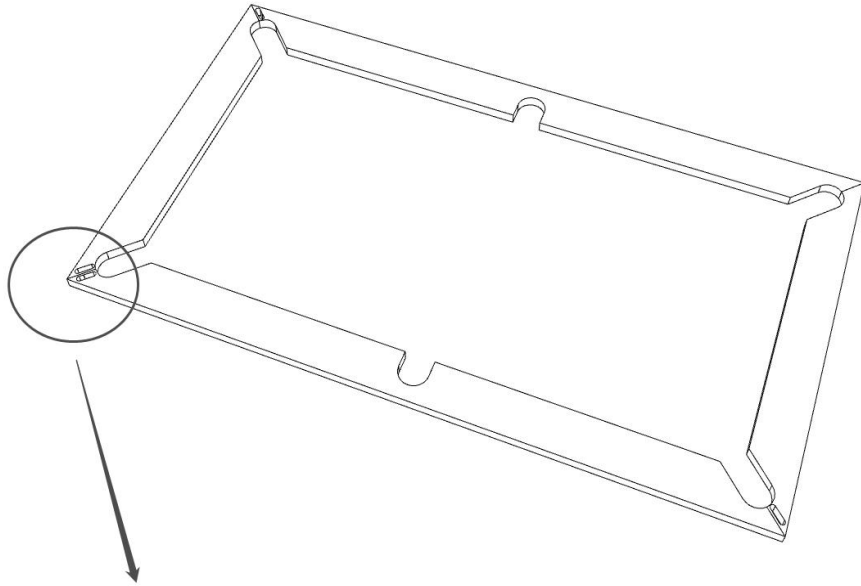
**FIG.3**



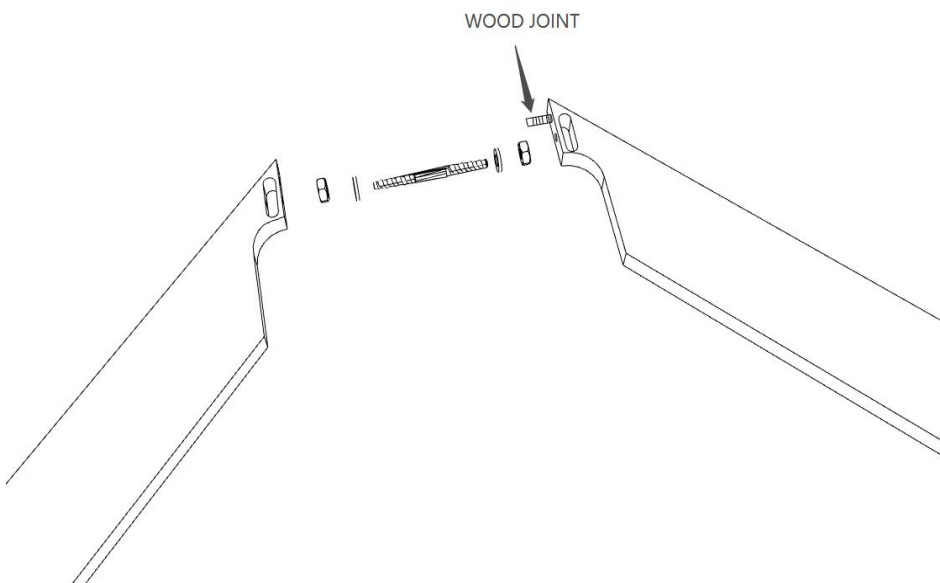
**FIG.4**

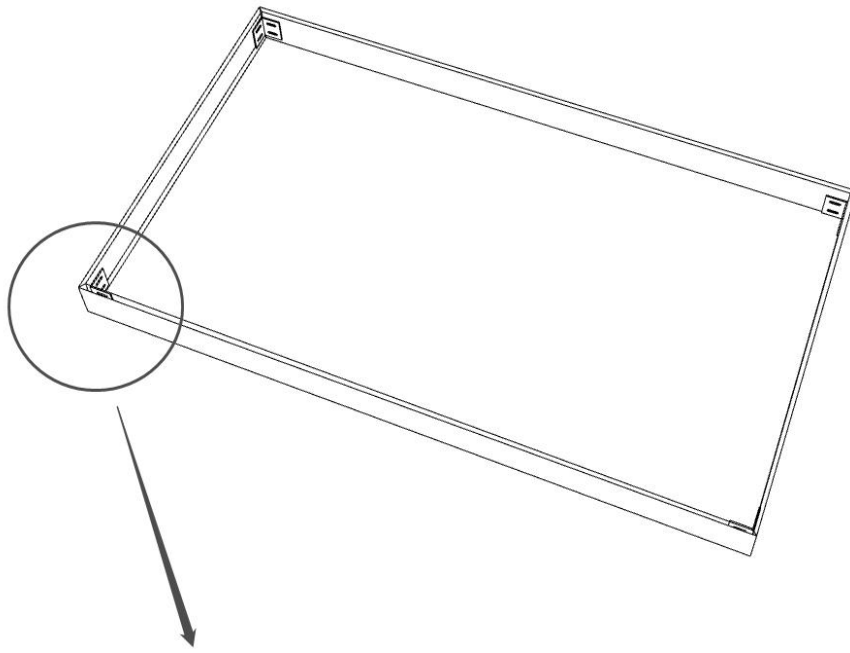


**FIG.5**

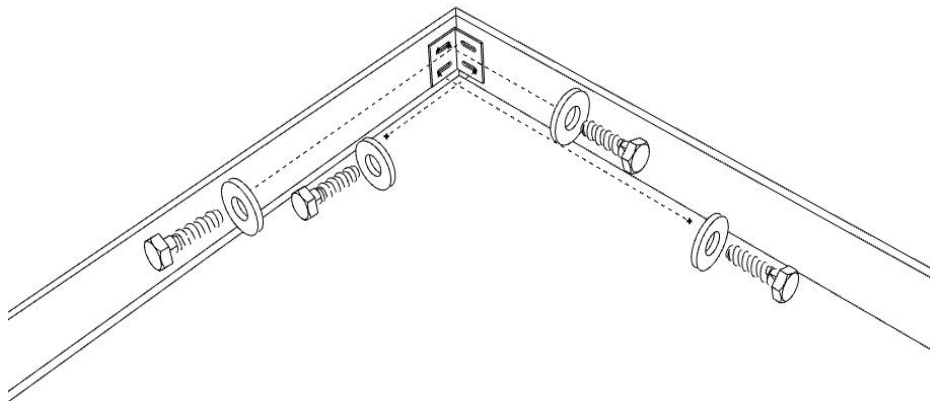


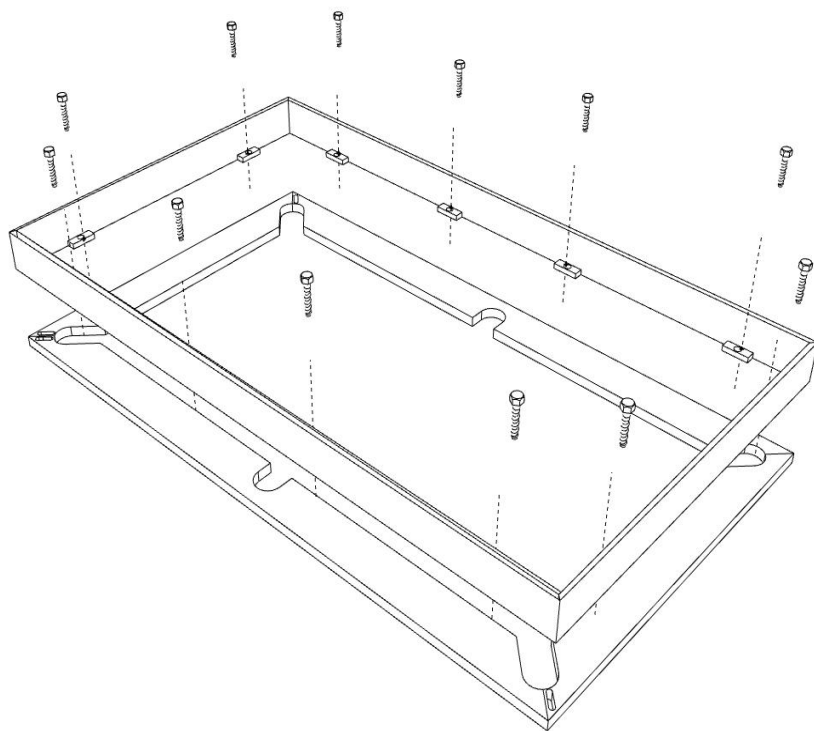
**FIG.6**





**FIG.7**





**FIG.8**

