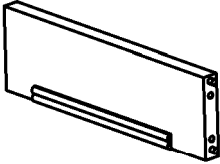
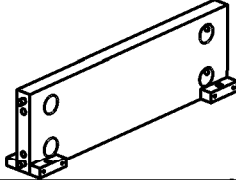
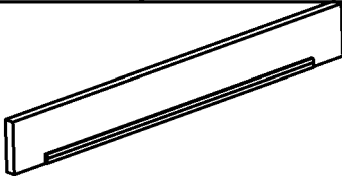


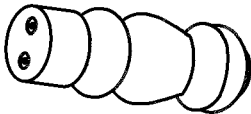
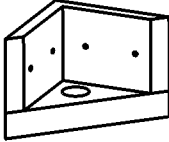
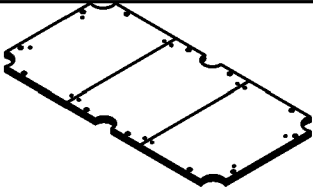
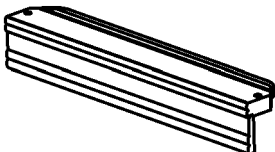
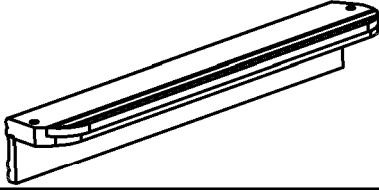
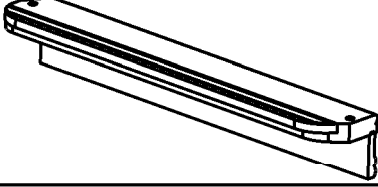
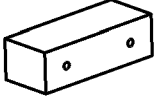







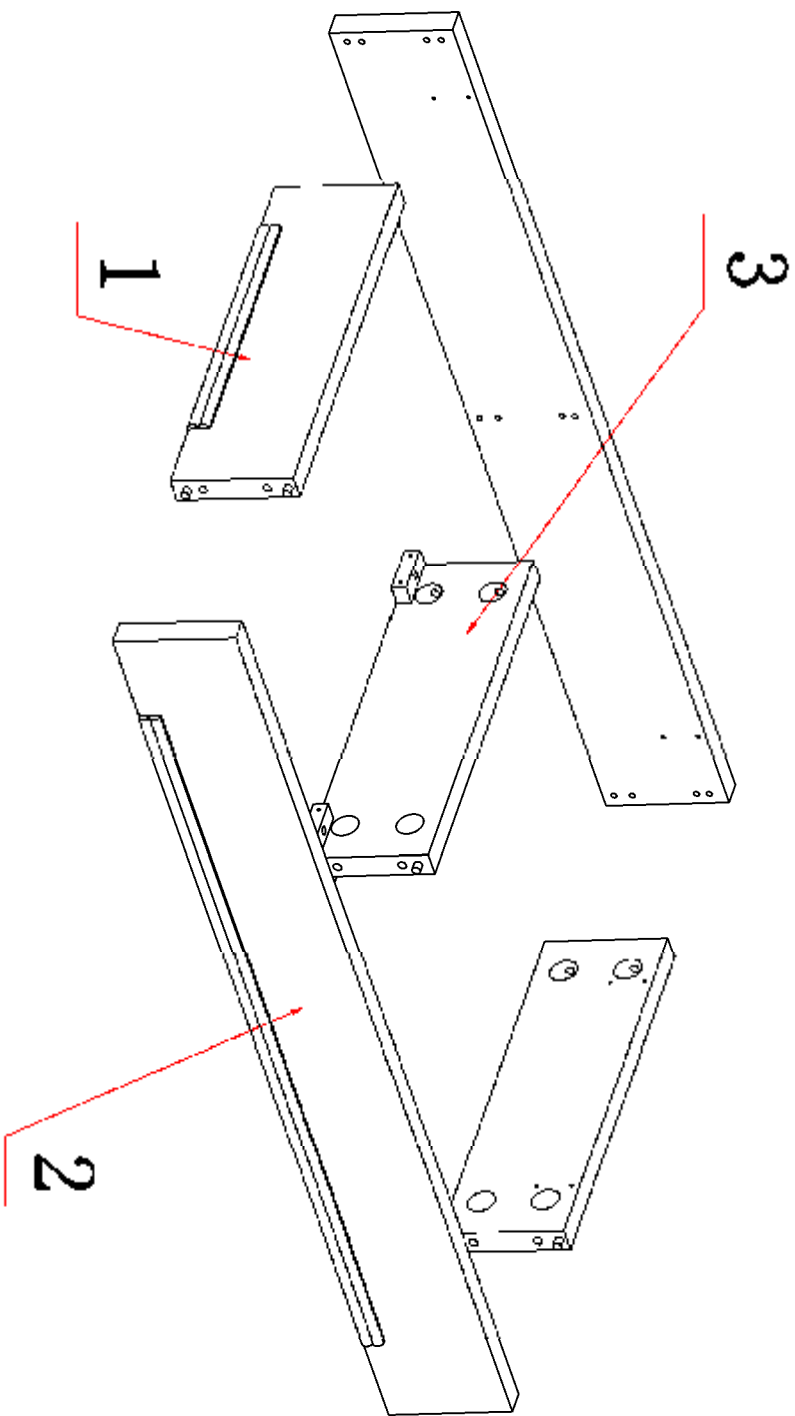


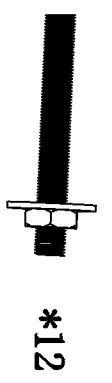
#	DESCTRI- PTION	DRAWING	QTY
1	Short Panel		2
2	Bottom Panel		1
3	Long Panel		2
4	Corner		4
5	Corner Leg		4
6	Middle Leg		2
7	Leg Bracket		4
8	Three-piece Slate		1 Set
9	Felt	2295*1225	1 Piece
10	Head Board		2

#	DESCTRI- PTION	DRAWING	QTY
11	Side Board 1		2
12	Side Board 2		2
13	Wood Block		4
14	Corner Pocket		4
15	Side Pocket		2
16	10*100 Screw		12 Sets
17	10*45 Hex Screw		20 Sets
18	5*40 Self Tapping Screw		16
19	5*50 Self Tapping Screw		32
20	8*40 Hex Screw		12

1



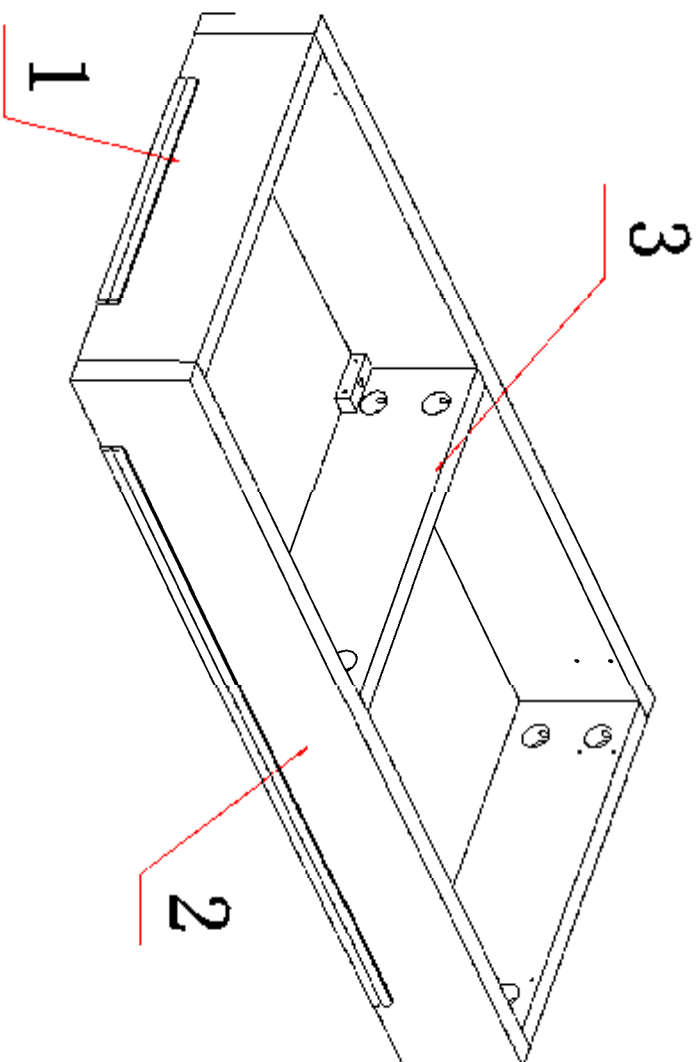
10*100 Screw



*12

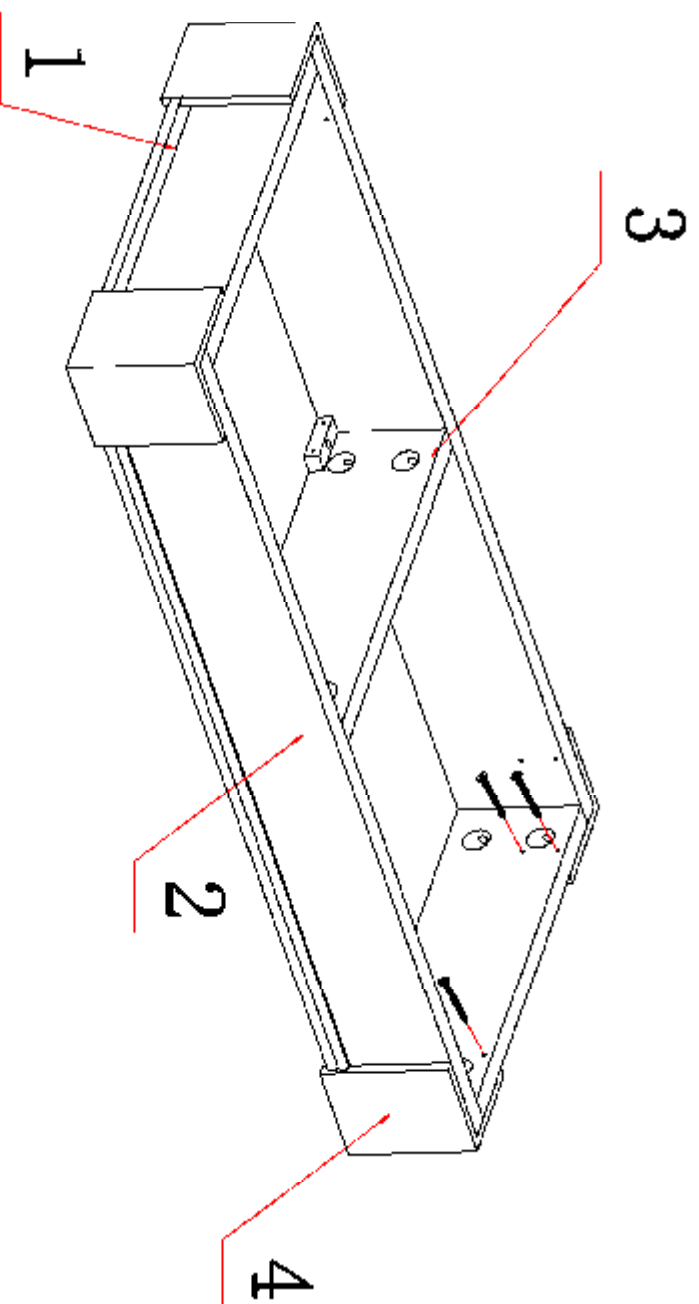
Attach panels as demonstrated,
and lightly screw them.

2



**Make sure all panels are aligned well,
then tighten all screws firmly.**

3



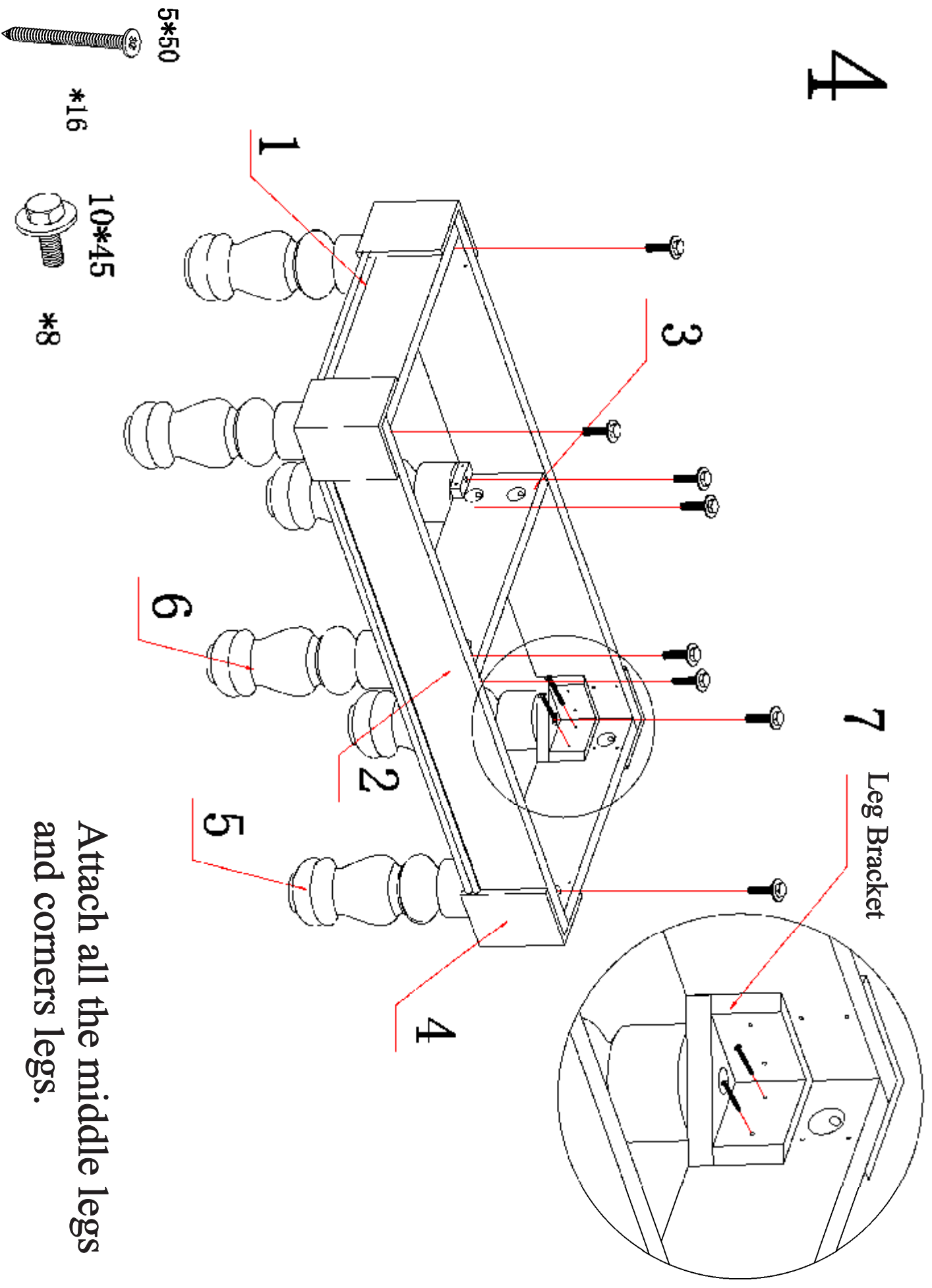
5*40



*16

Attach the corners.

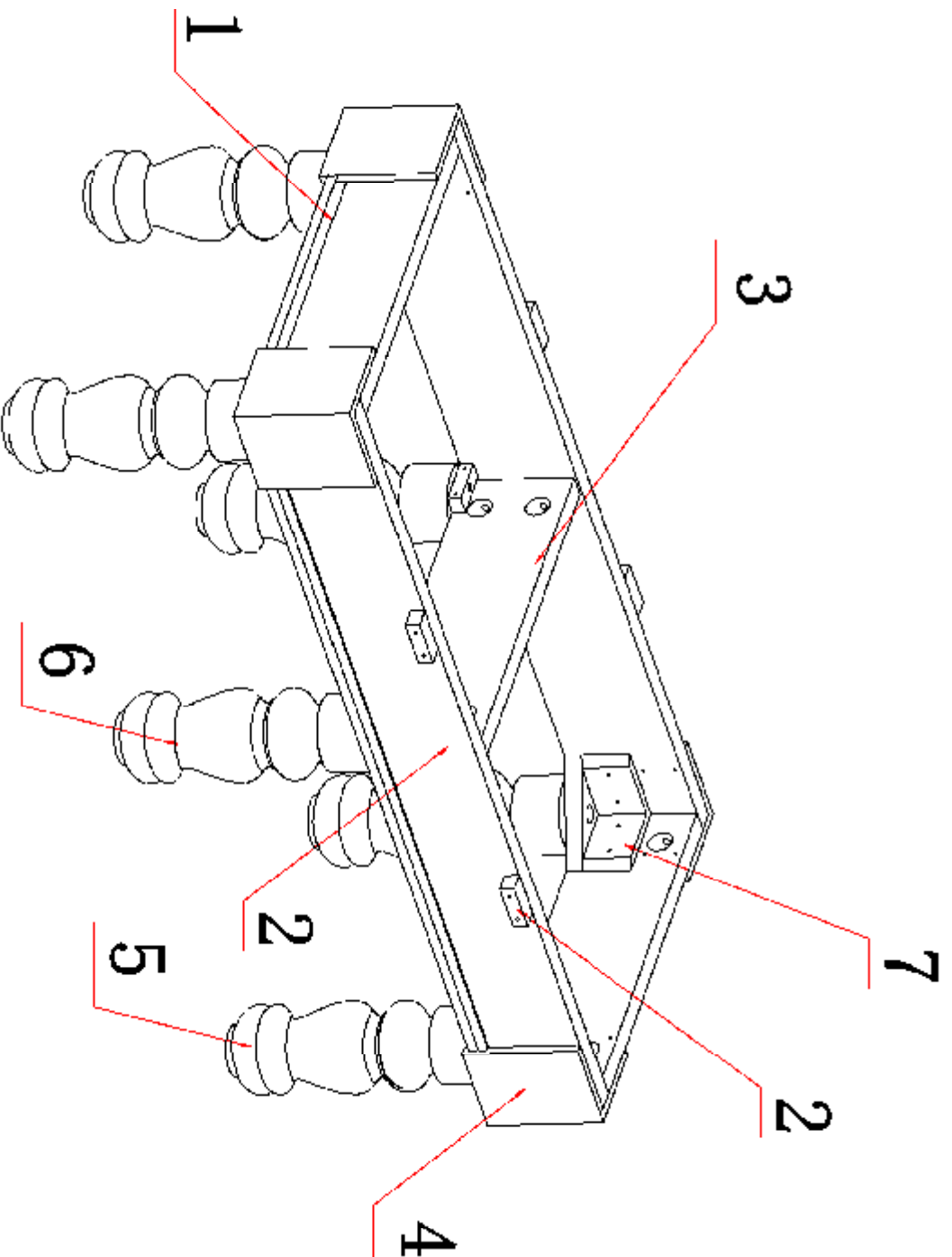
4



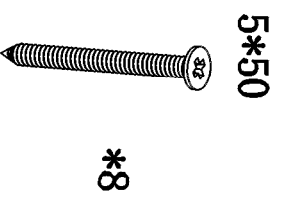
7 Leg Bracket

Attach all the middle legs
and corners legs.

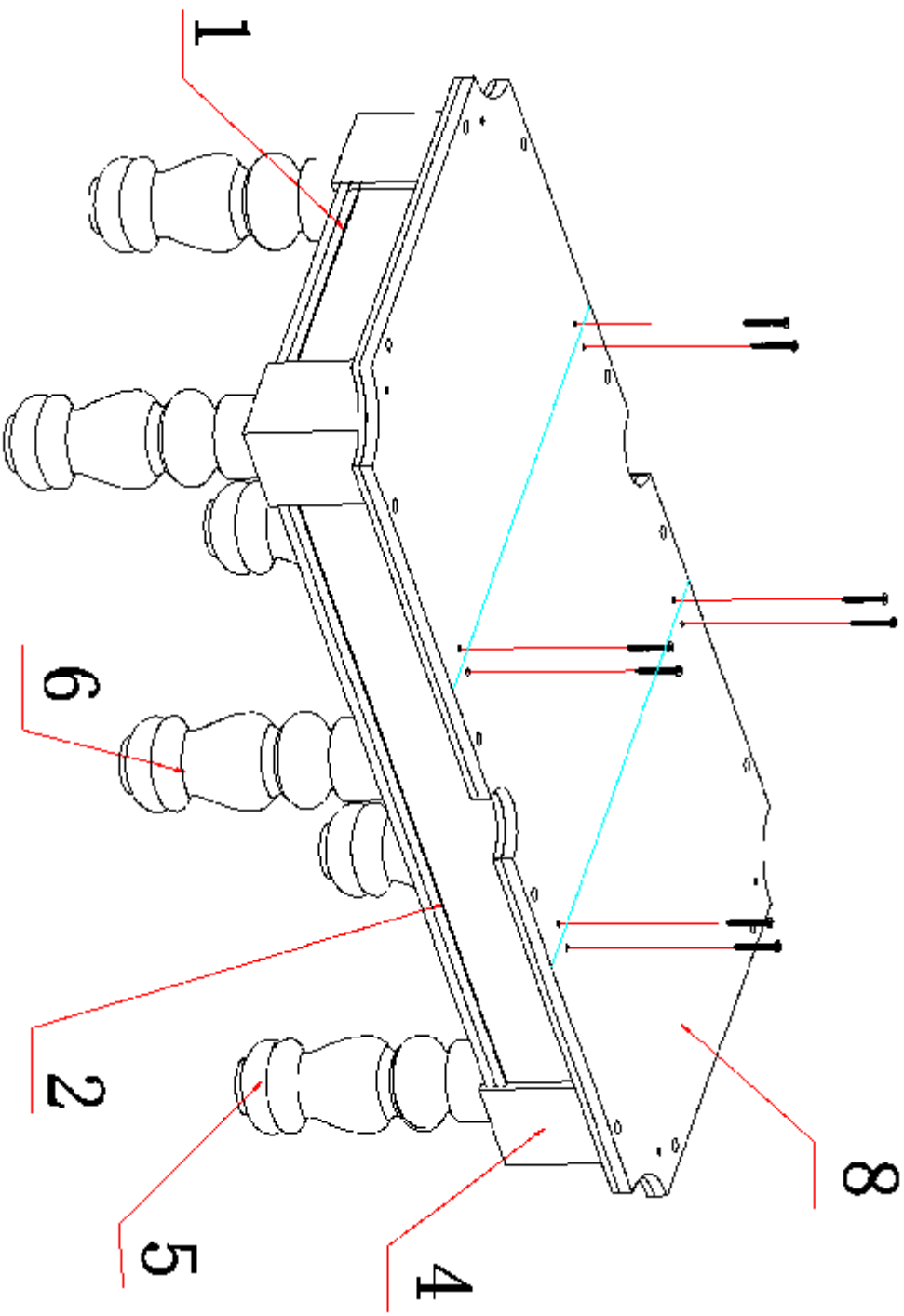
5



The positions of wood blocks should be settled according to the position of the middle slate which will be centred on top of beams soon.



6



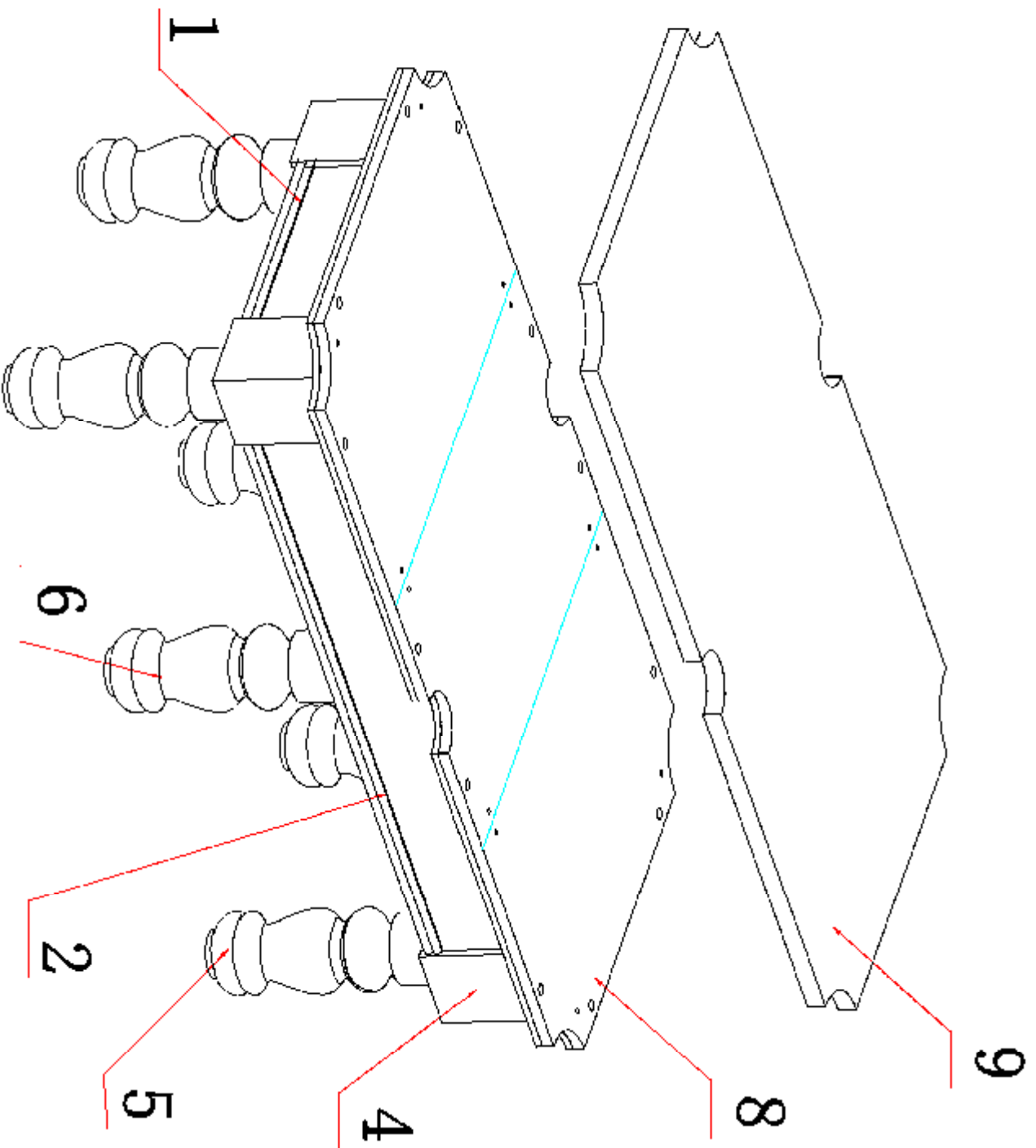
5*50



*8

Place well the three-piece slate.
And fix it firmly.

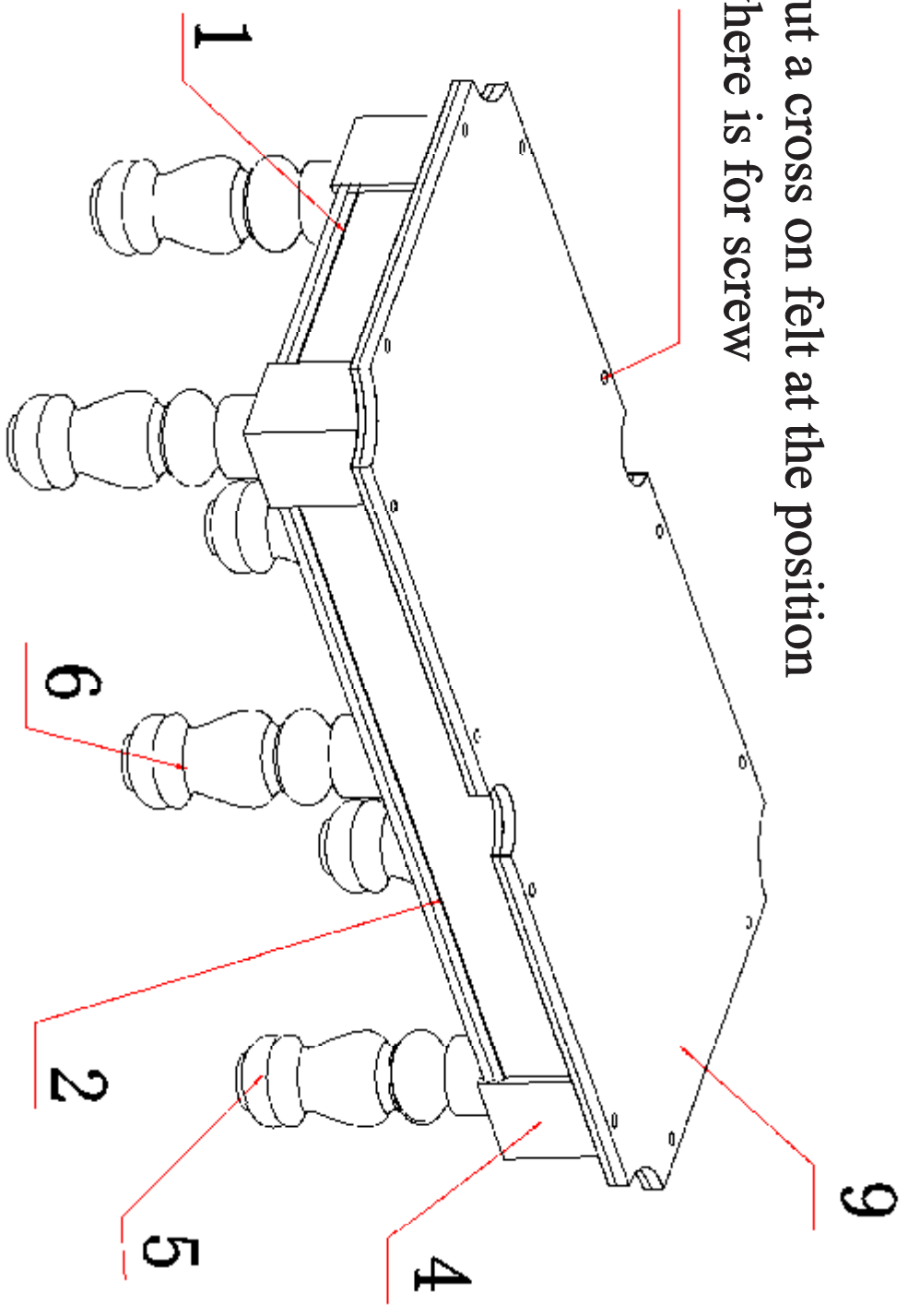
7

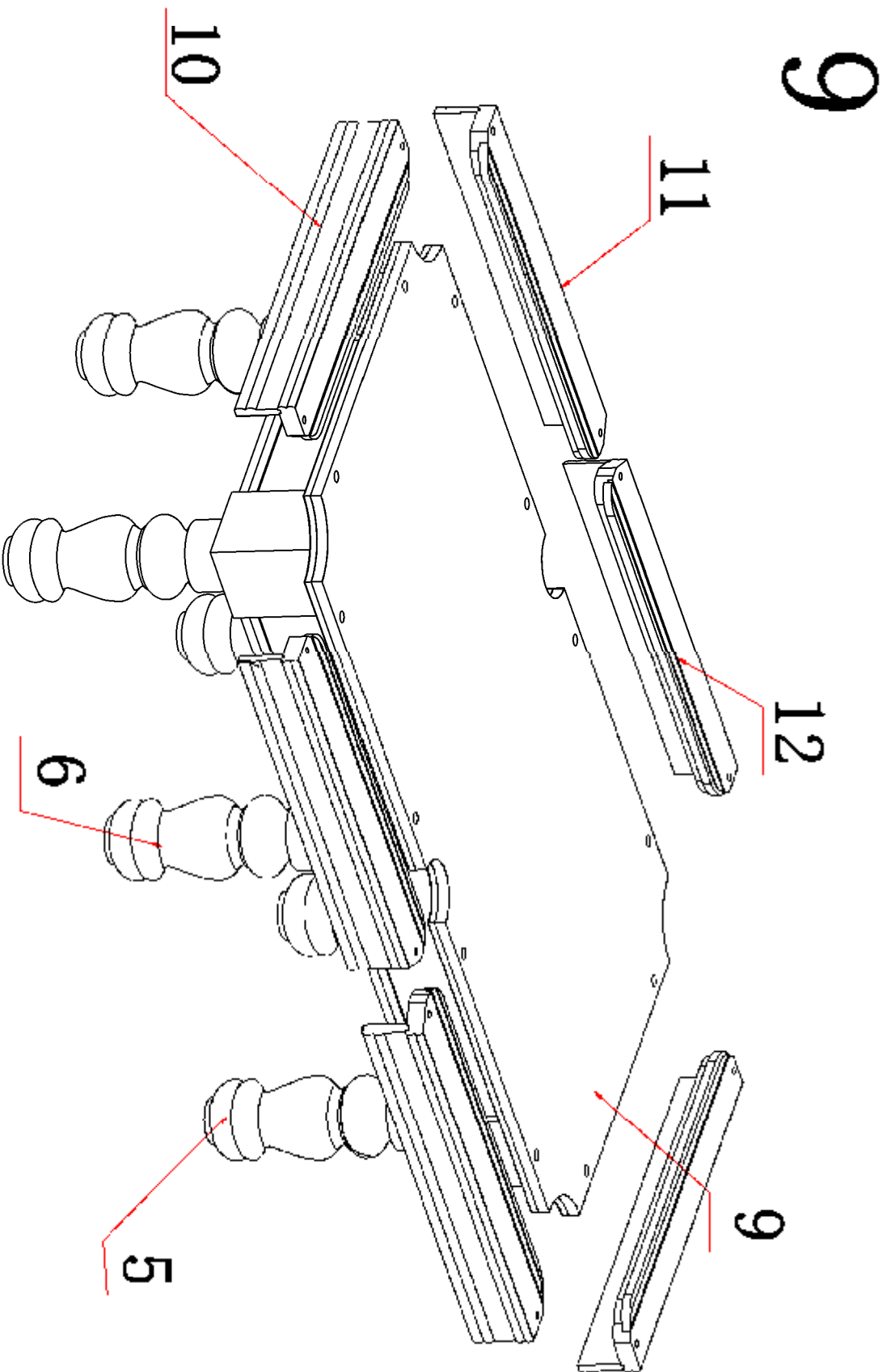


Wrap the slate with felt and tighten them with glue and screw.

8

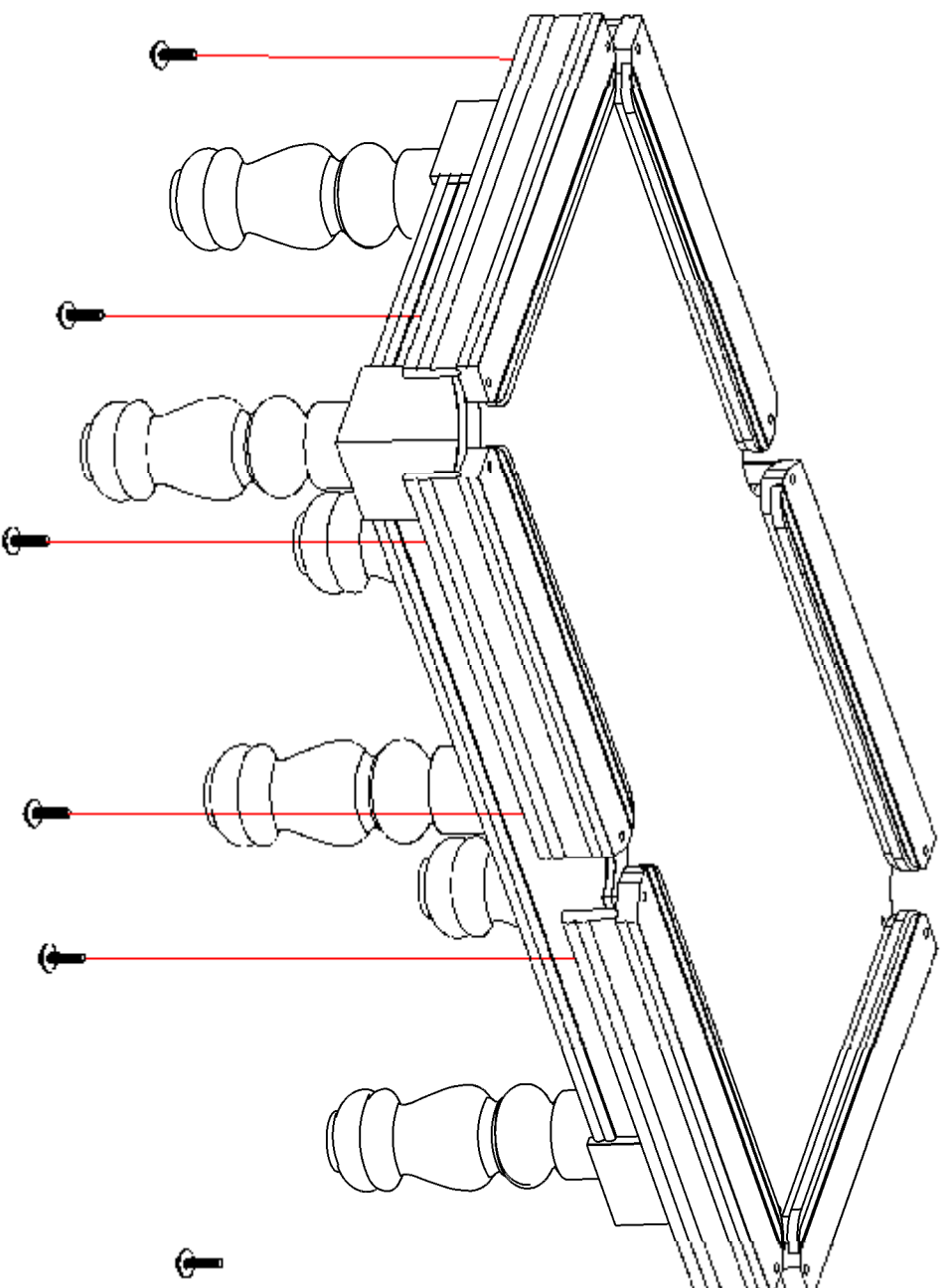
Cut a cross on felt at the position where is for screw



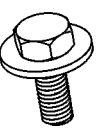


Attach side boards.

10



10*45



*12

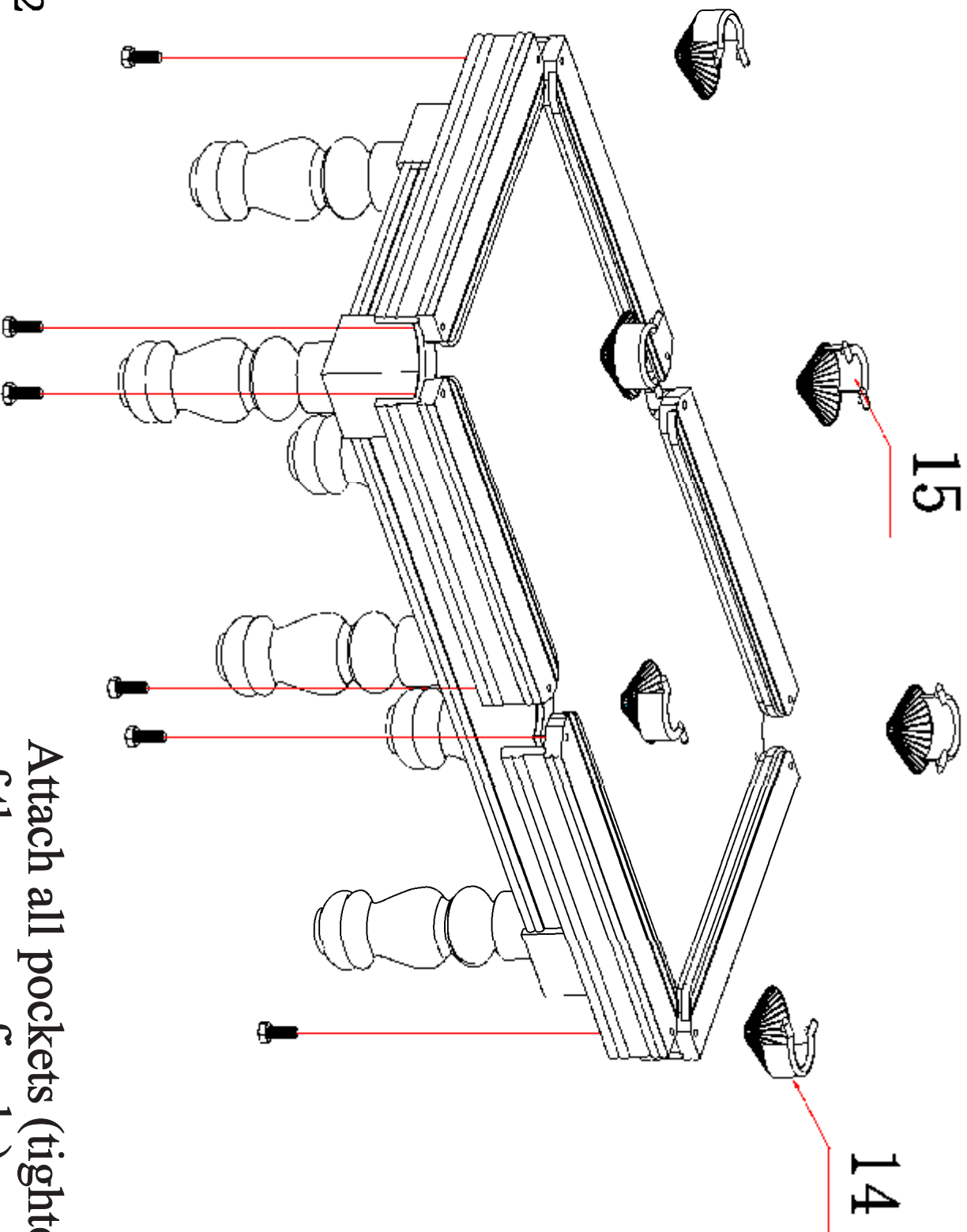
Screw the side boards lightly
(don't do it firmly yet).

11

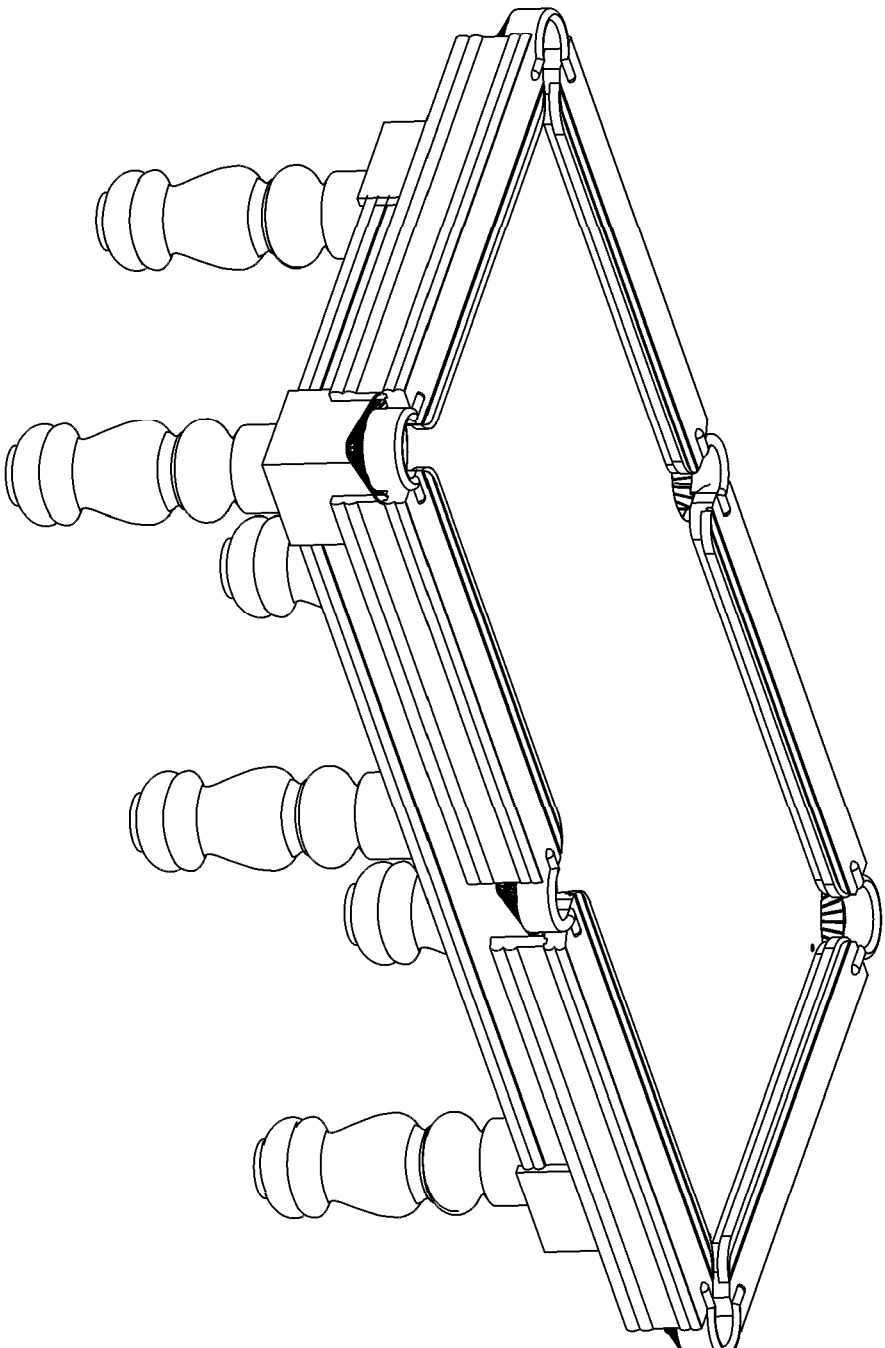
15

14

8*40
*12



Attach all pockets (tighten all of the screws firmly).



Congratulations! All done!