
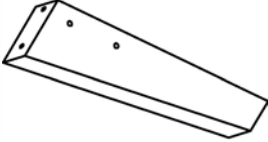
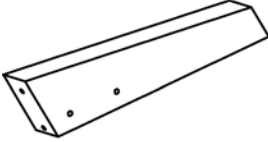
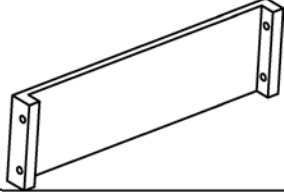
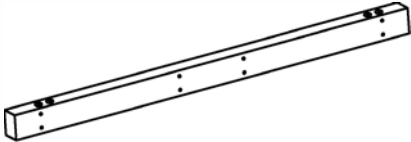
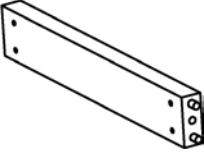
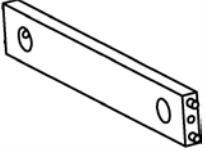
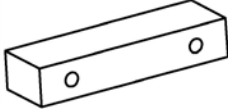
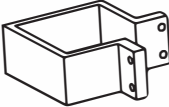
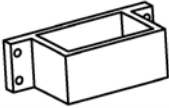
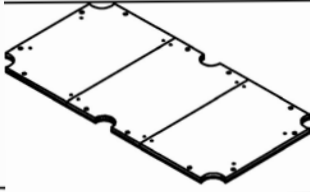
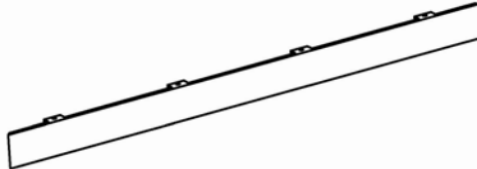
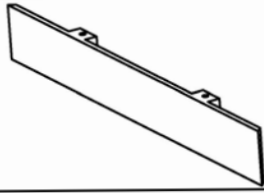
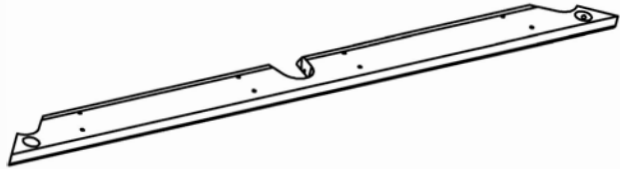


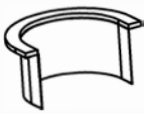







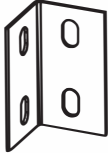

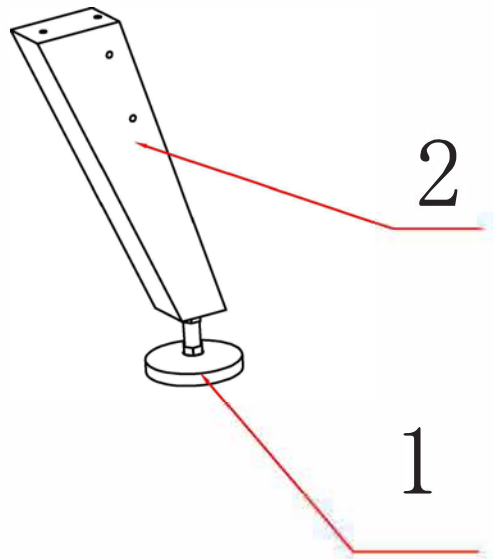


#	DESCRPTION	DRAWING	QTY
1	Leg Leveller		4
2	Leg 1		2
3	Leg 2		2
4	Leg Panel		2
5	Long Beam		2
6	Short Beam		2
7	Crossbeam		2
8	Wood Block		4
9	Ball Corner Box		4
10	Ball Side Box		2

#	DESCTR IPTION	DRAWING	QTY
11	Three-piece Slate		1 set
12	Felt	2295*1225	1 piece
13	Long Hanging Board		2
14	Short Hanging Board		2
15	Long Side Board		2
16	Short Side Board		2
17	Corner pocket		4
18	Side pocket		2
19	10*45 Hex Screw		32 sets
20	10*35 Hex Screw		24 sets

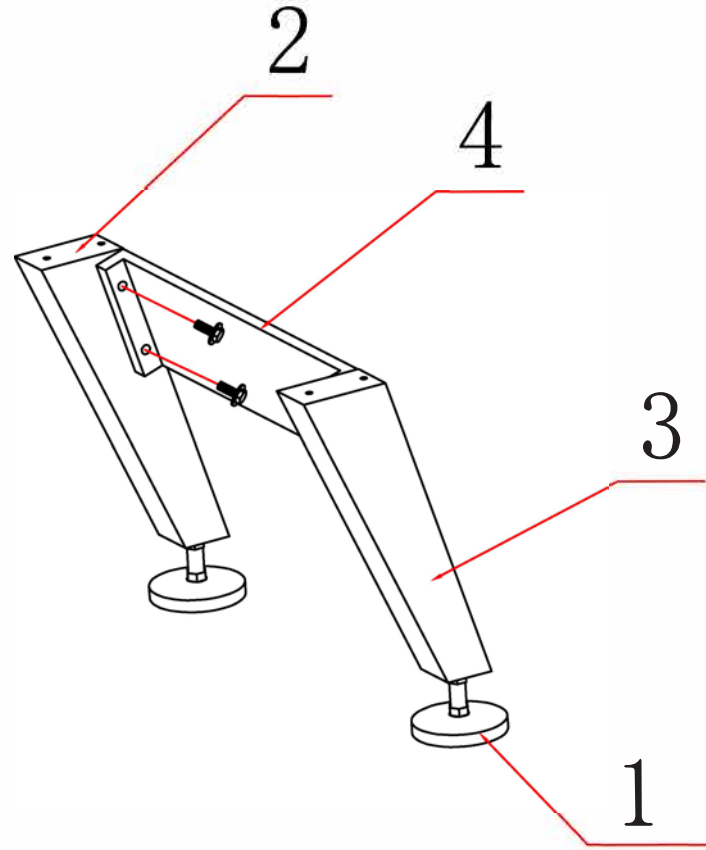
#	DESCRPTION	DRAWING	QTY
21	6*16 Hex Screw		16 sets
22	10*100 Screw		8 sets
23	10*100 Double-head Screw		4 sets
24	5*50 Self Tapping Screw		16
25	3.5*25 Self Tapping Screw		12
26	Steel Bracket		4
27	10*130 Hex Screw		8 sets
28			
29			
30			

1

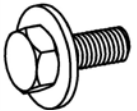


Screw leg leveller to table leg.

2

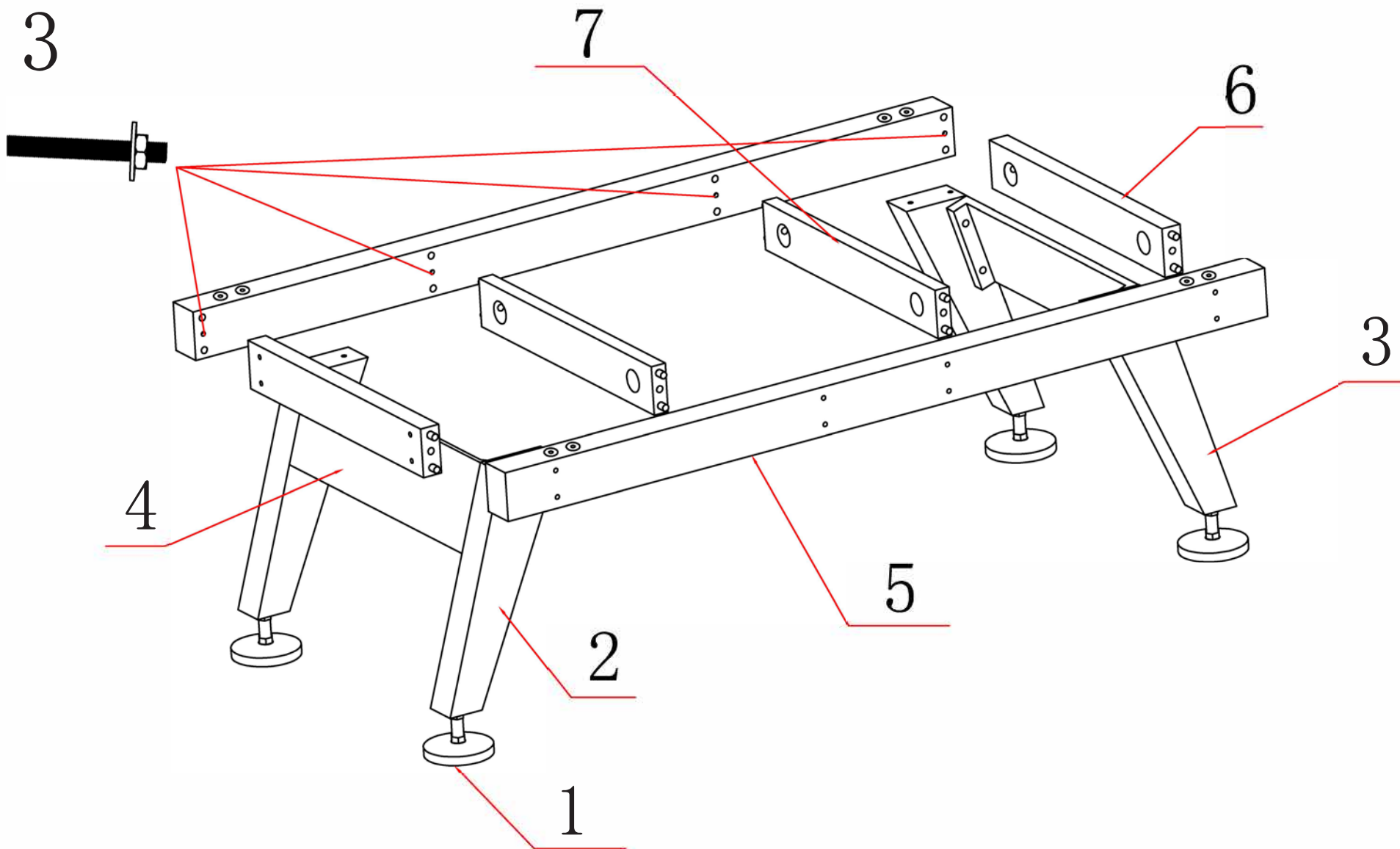


10*45



*4

Connect left and right leg.

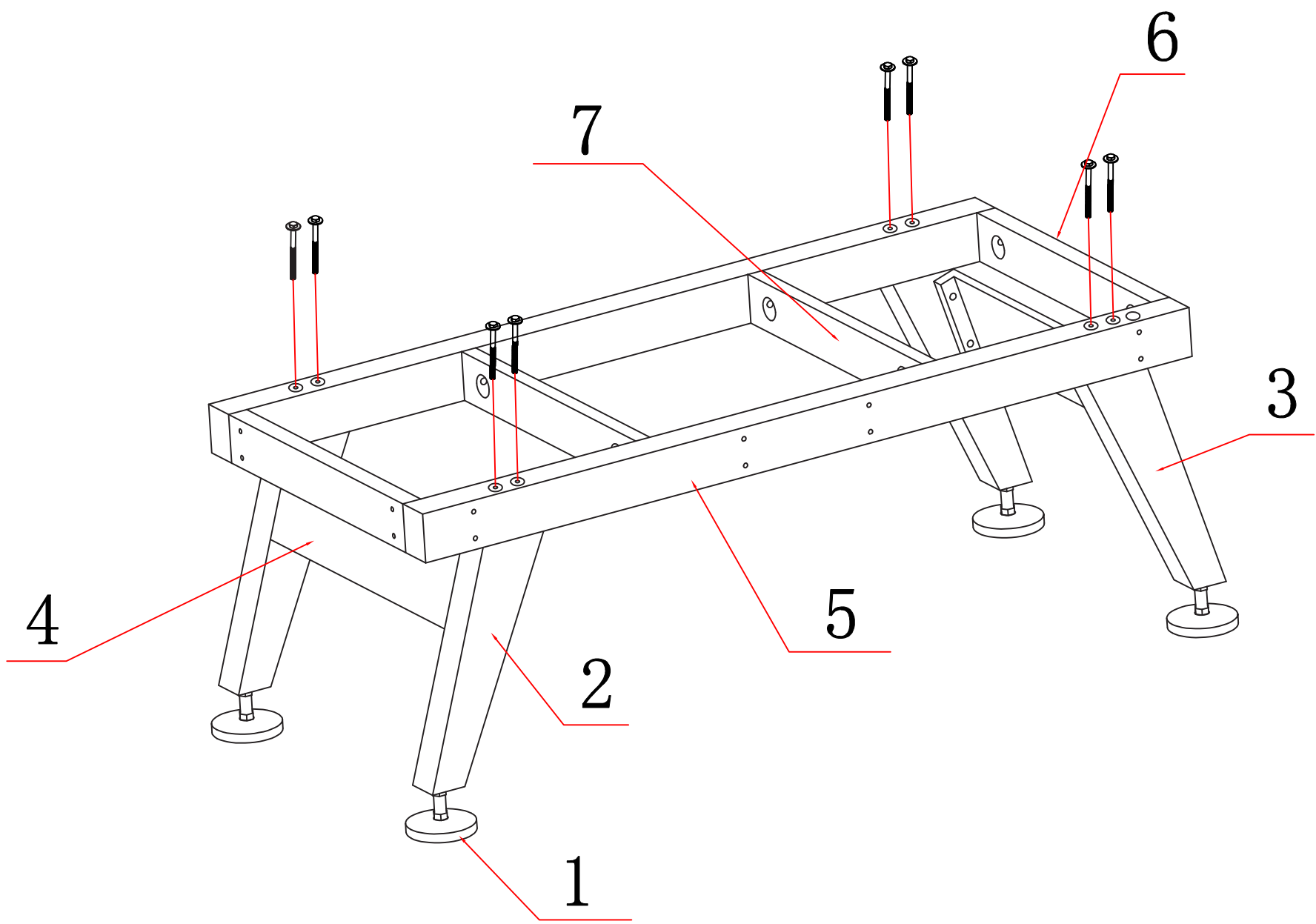


10*100 Screw



Assemble the beams by tightening screws.

4

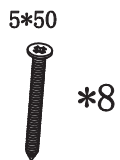
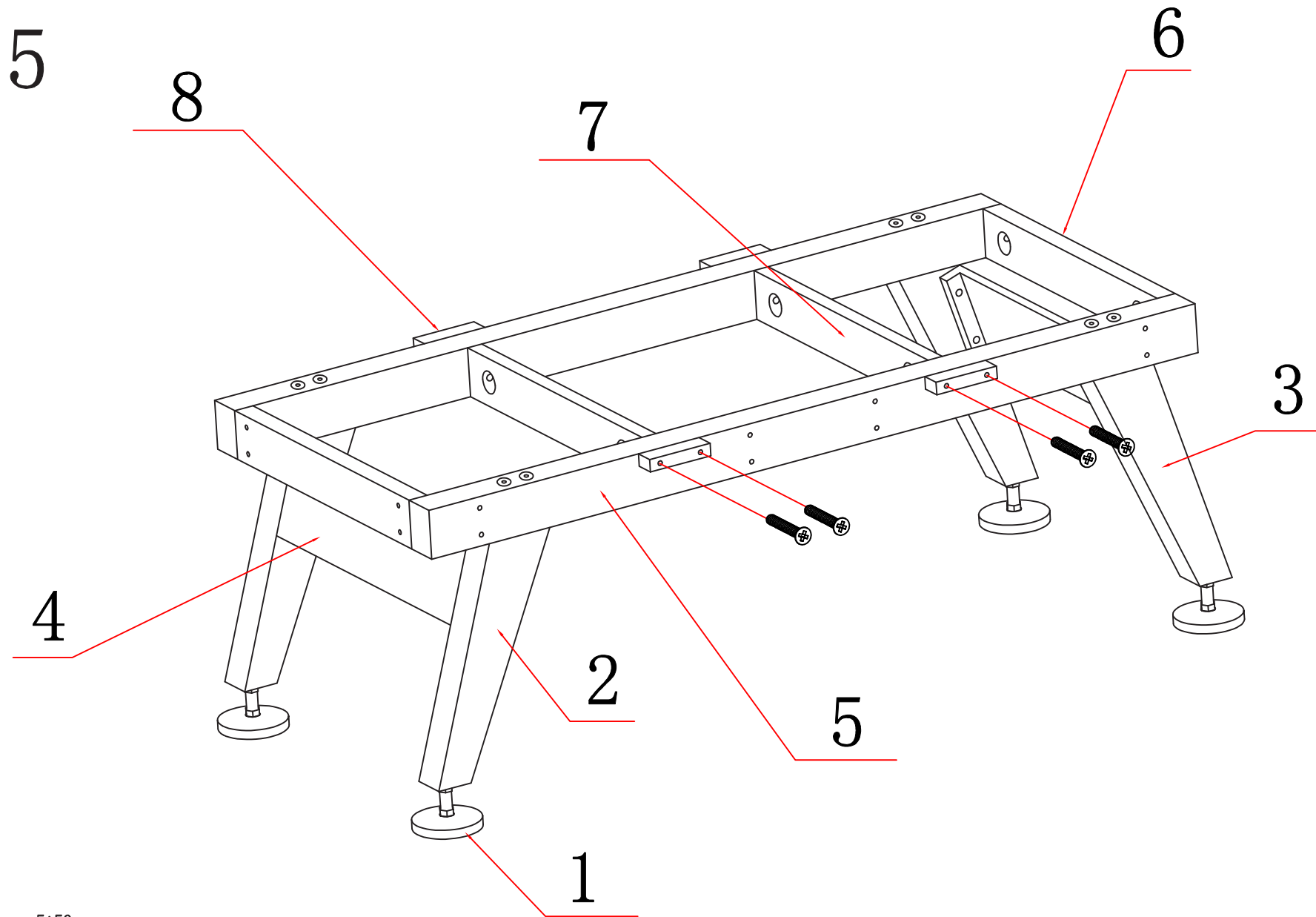


10*130



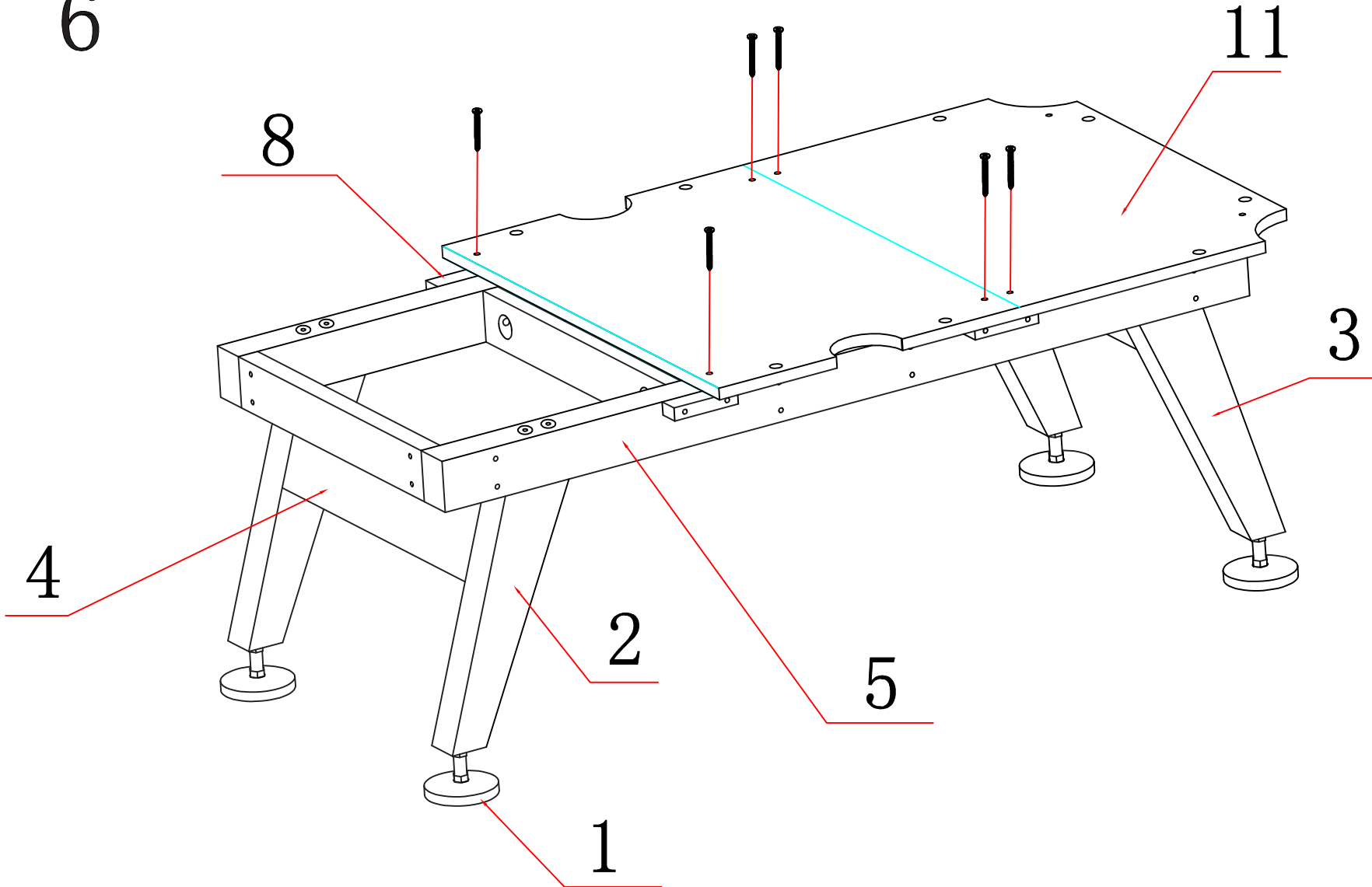
*8

Place the long beams on table legs.



The positions of wood blocks should be settled according to the position of the middle slate which will be centred on top of beams soon.

6



5*50



*8

Place well and fix the three-piece slate as figure.

7

12

11

3

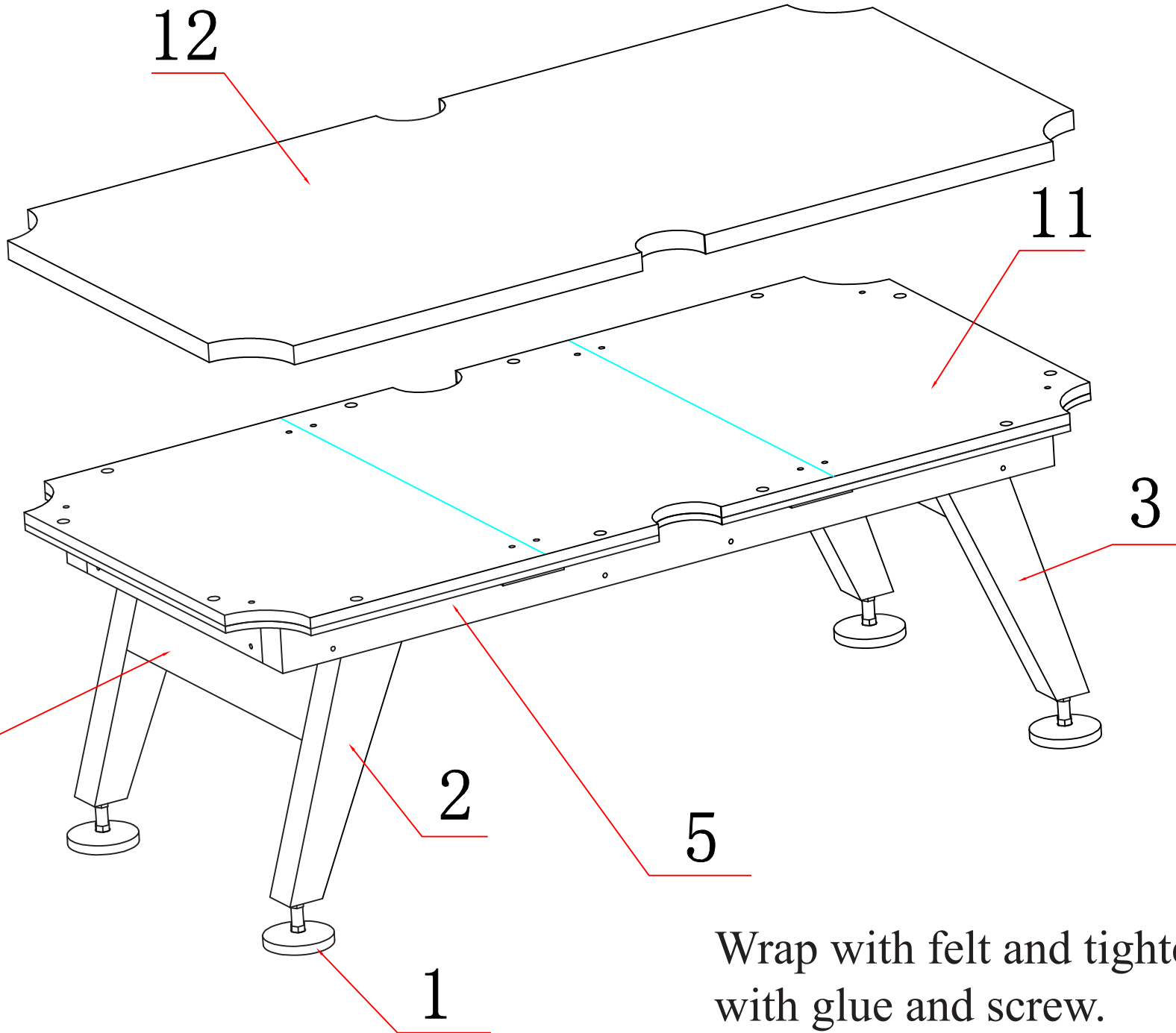
4

2

5

1

Wrap with felt and tighten them with glue and screw.



8

Cut a cross on felt
at the position where is for screw.

12

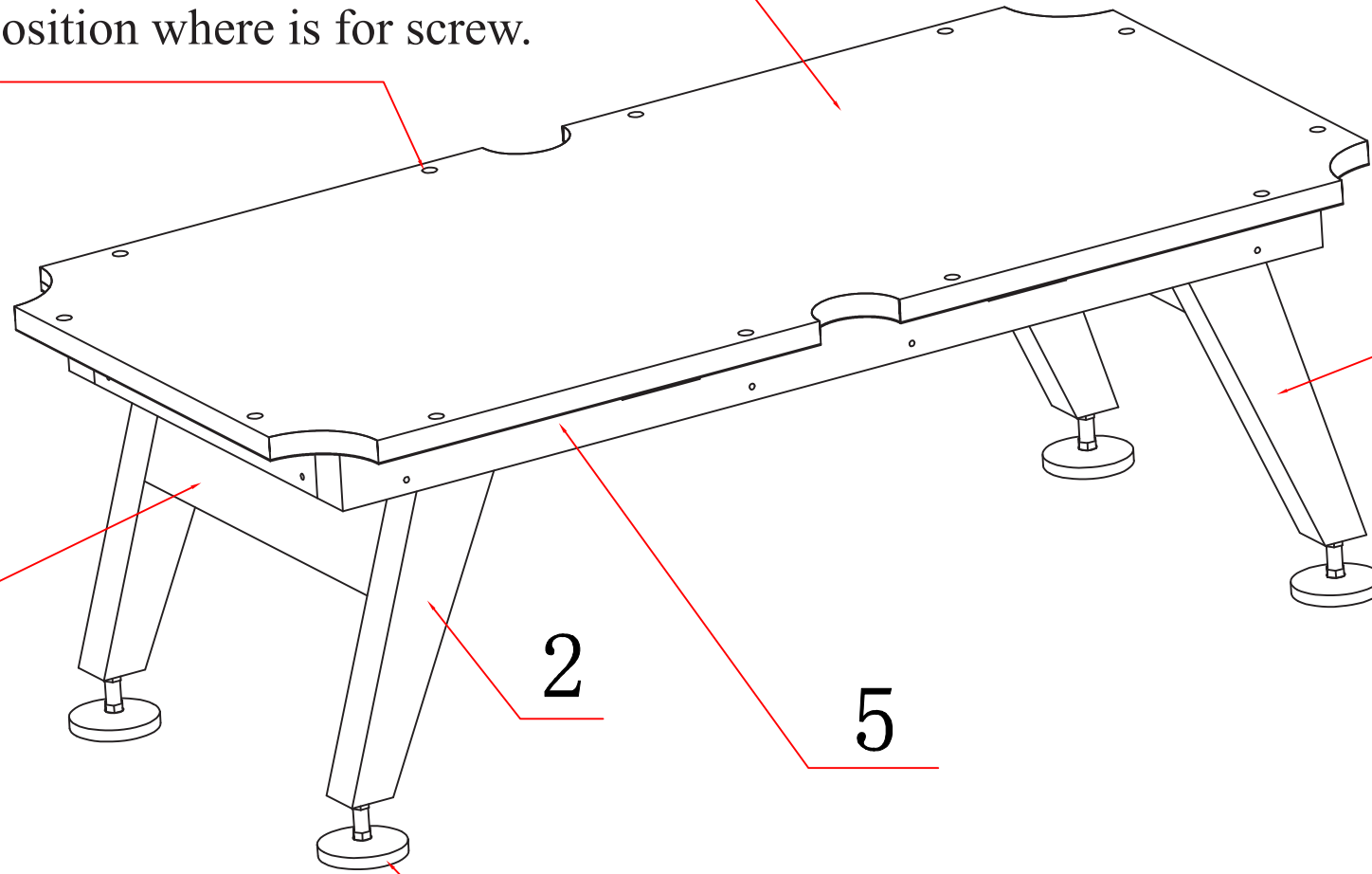
3

4

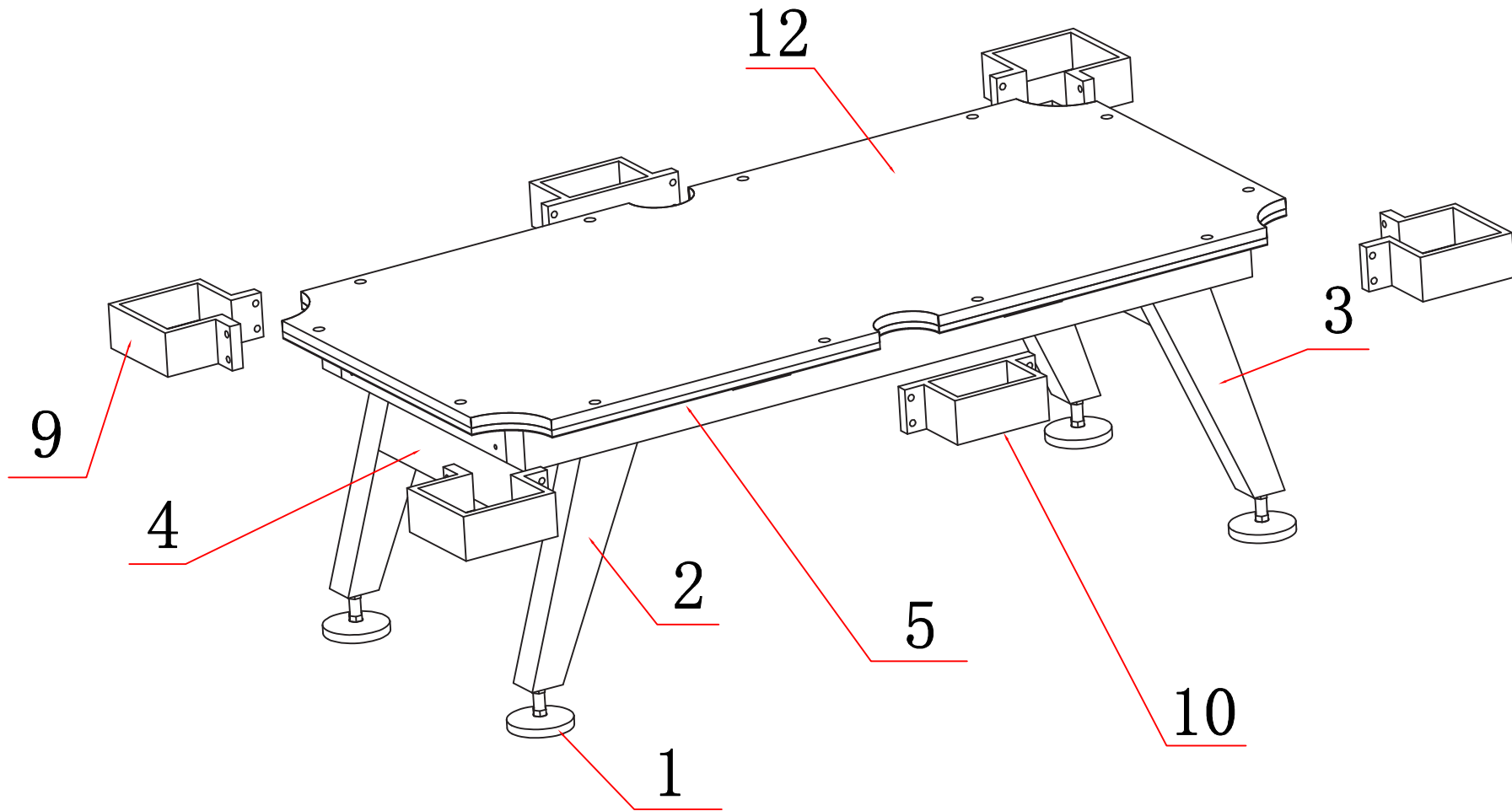
2

5

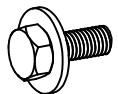
1



9



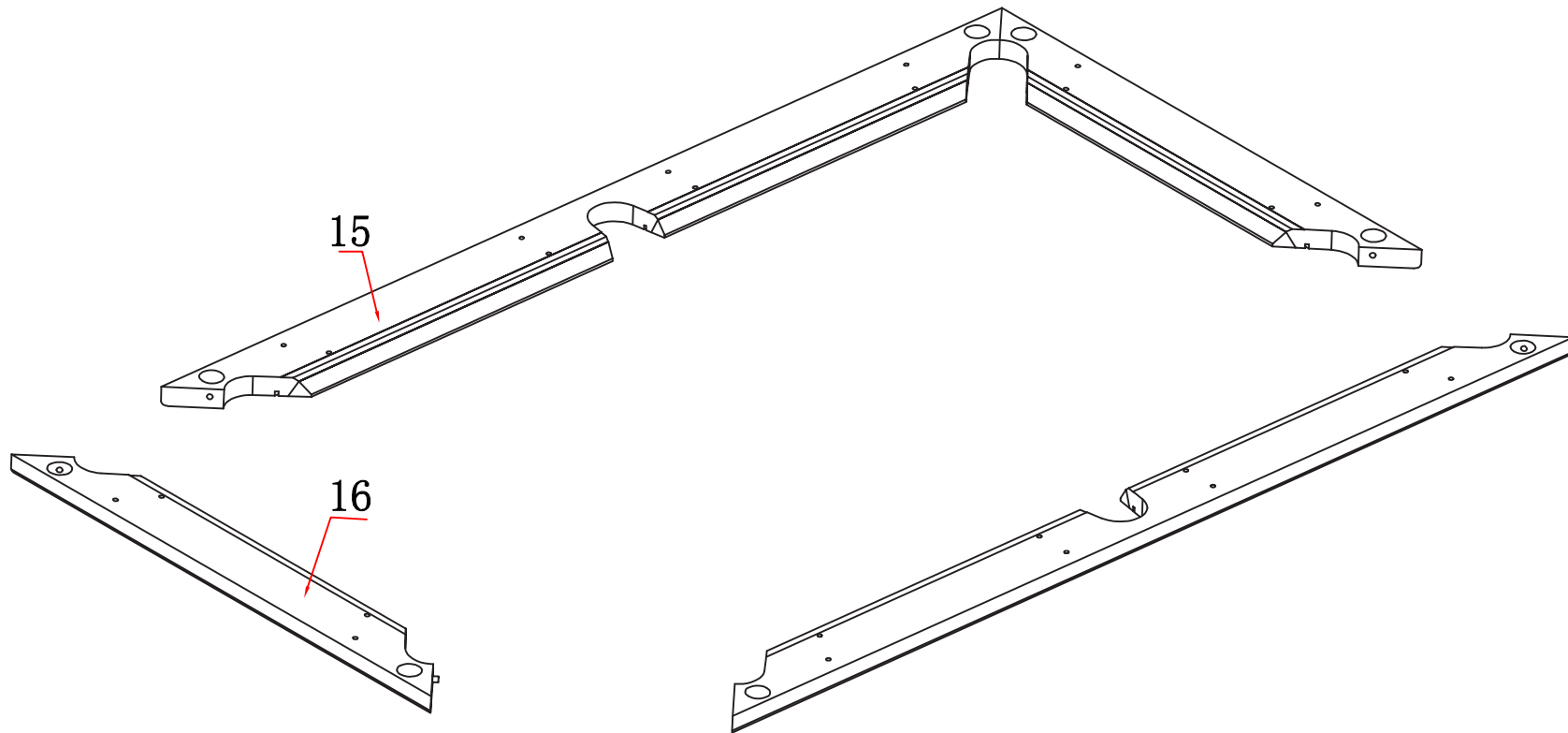
10*35



*24

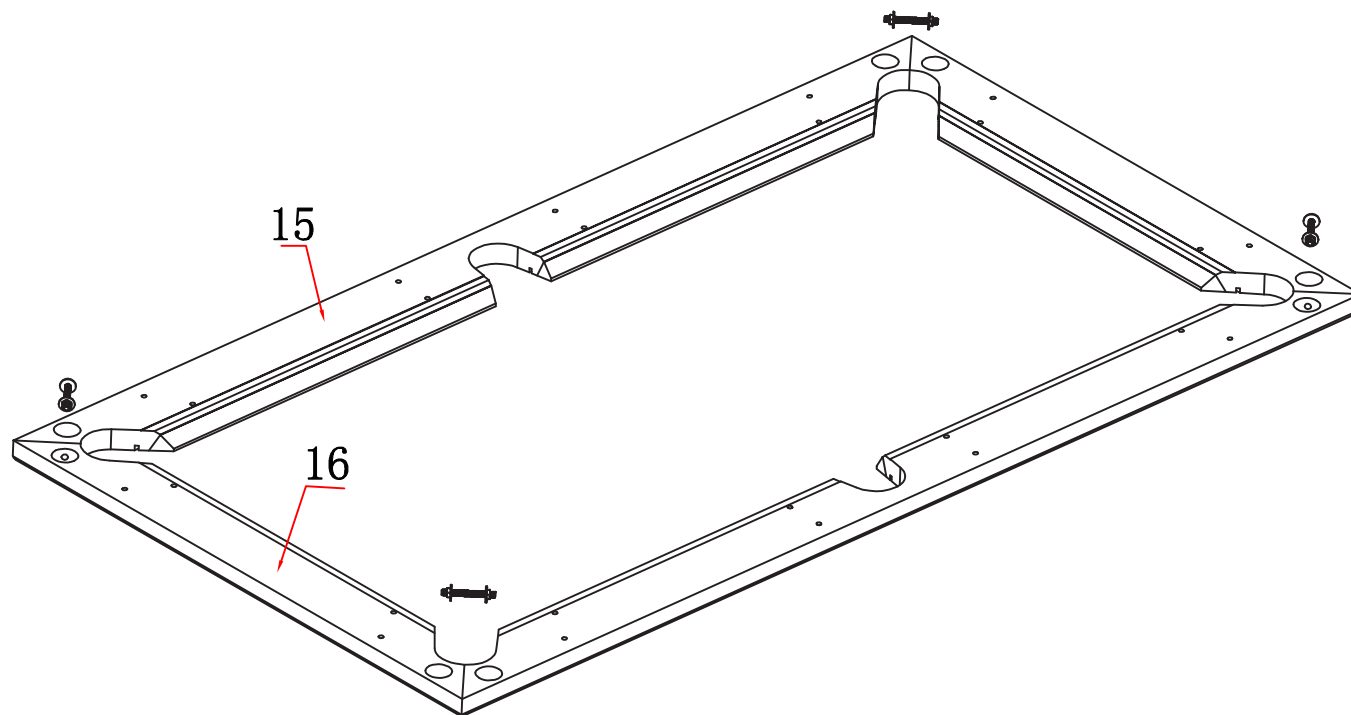
Attach all ball boxes as shown.

10



Attach side boards. (To avoid any damage, please layout some EPE foam or cardboard under the boards)

11

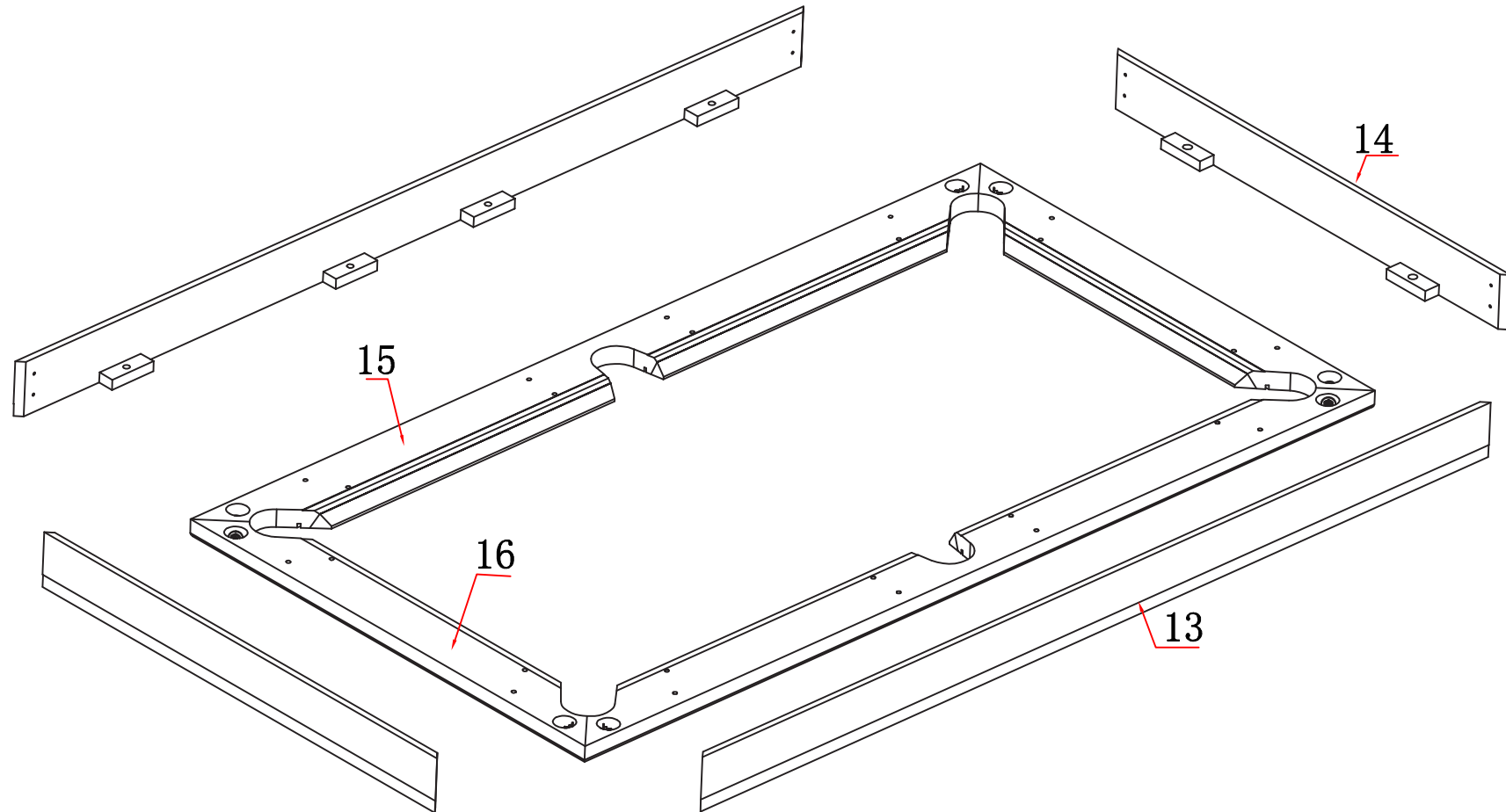


10*100 Double-head Screw



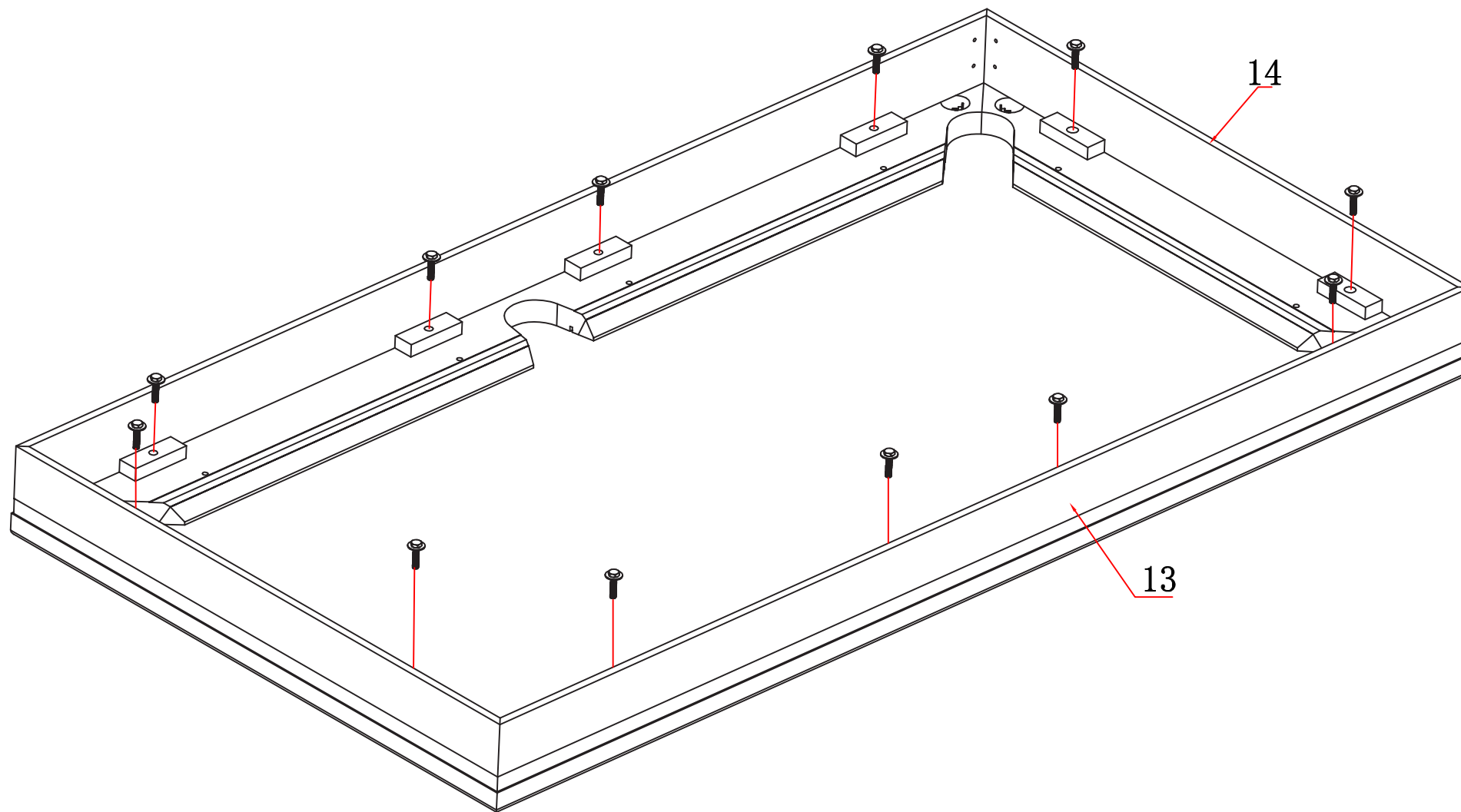
Please align them well
and tighten them by screws.

12



Attach hanging boards as figure.

13



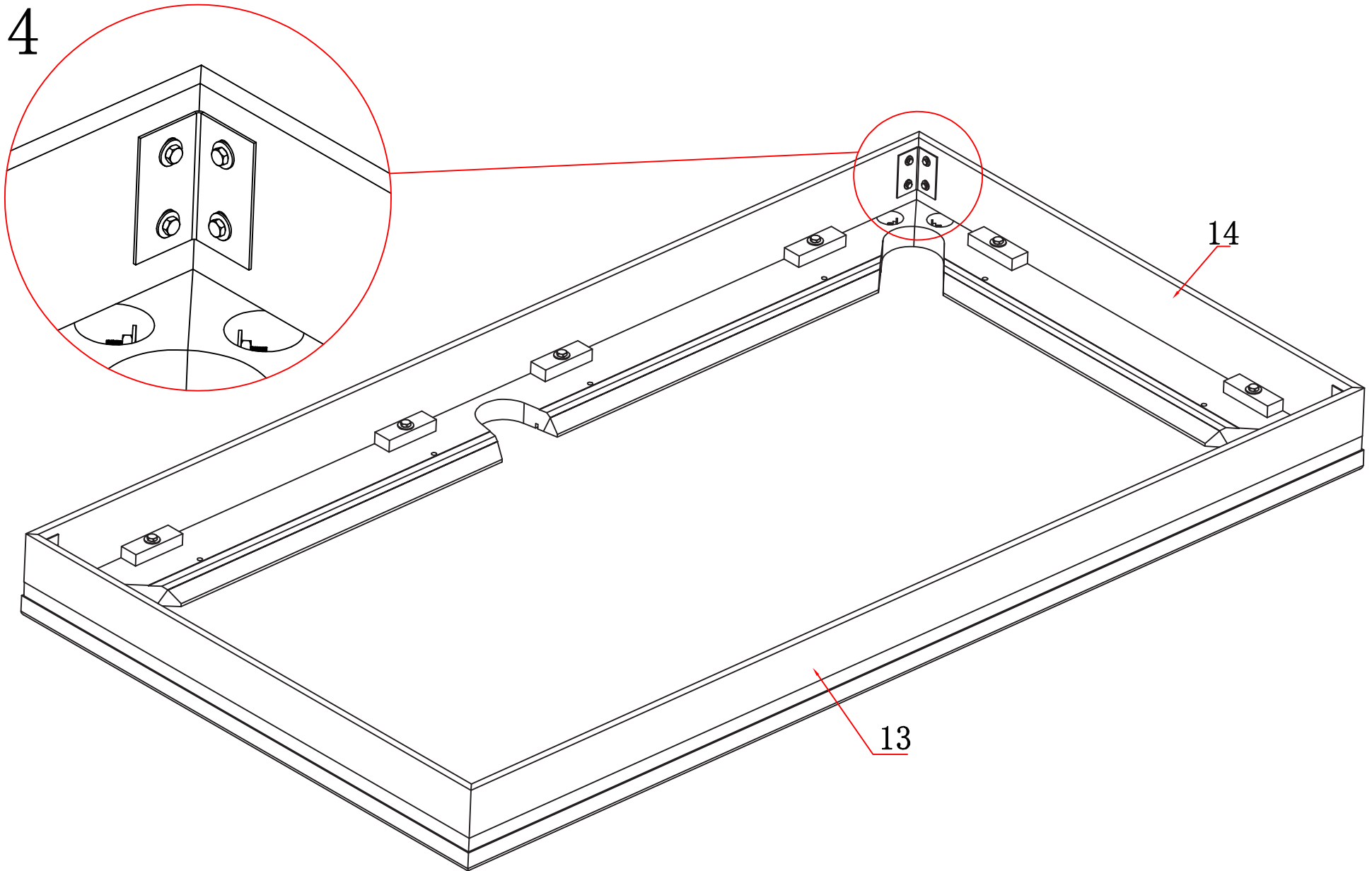
10*45



*12

Align the four corners well,
then screw the hanging boards.

14



6*16



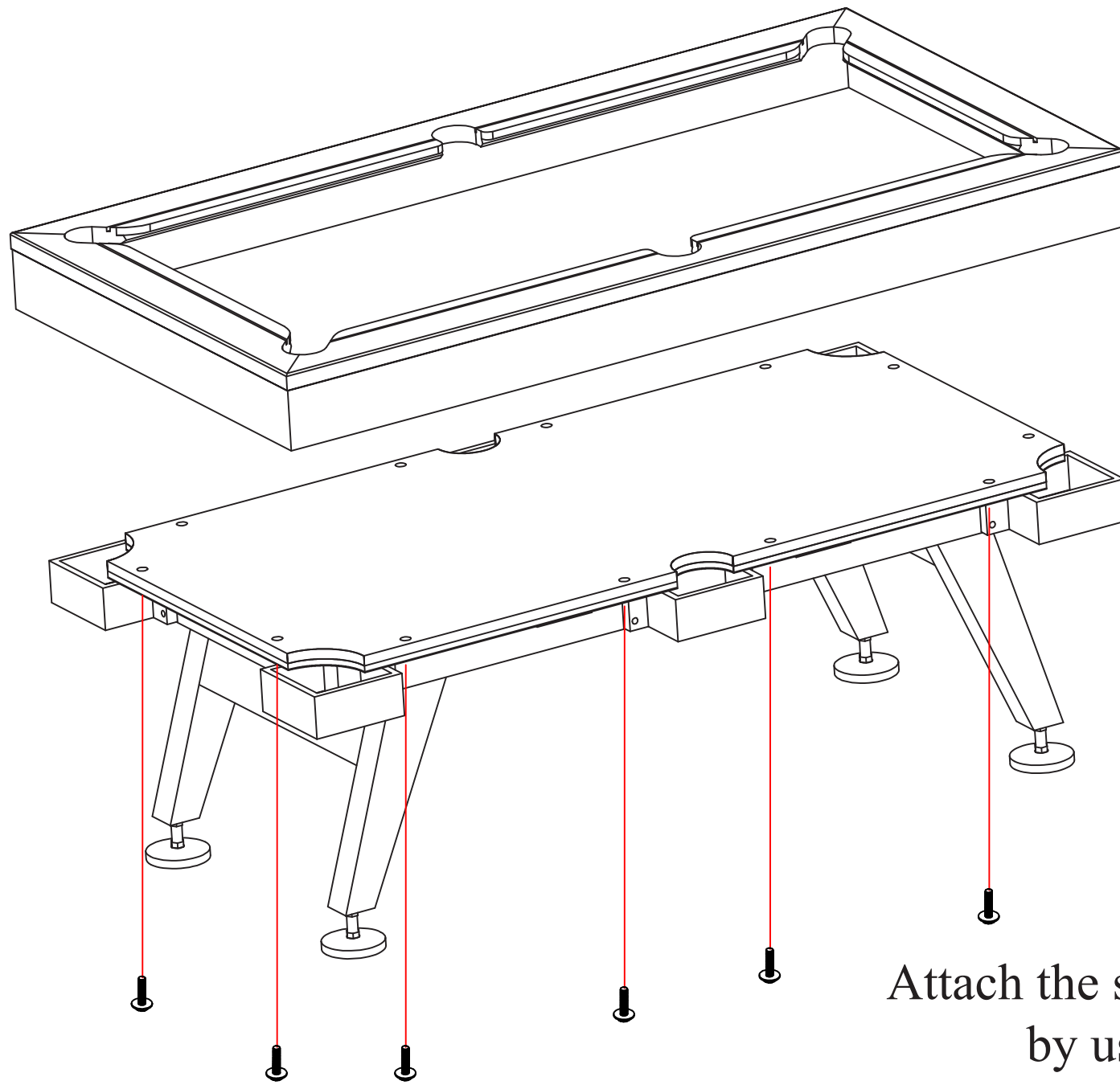
*16



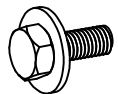
*4

Fix the four corners
by attaching steel brackets

15



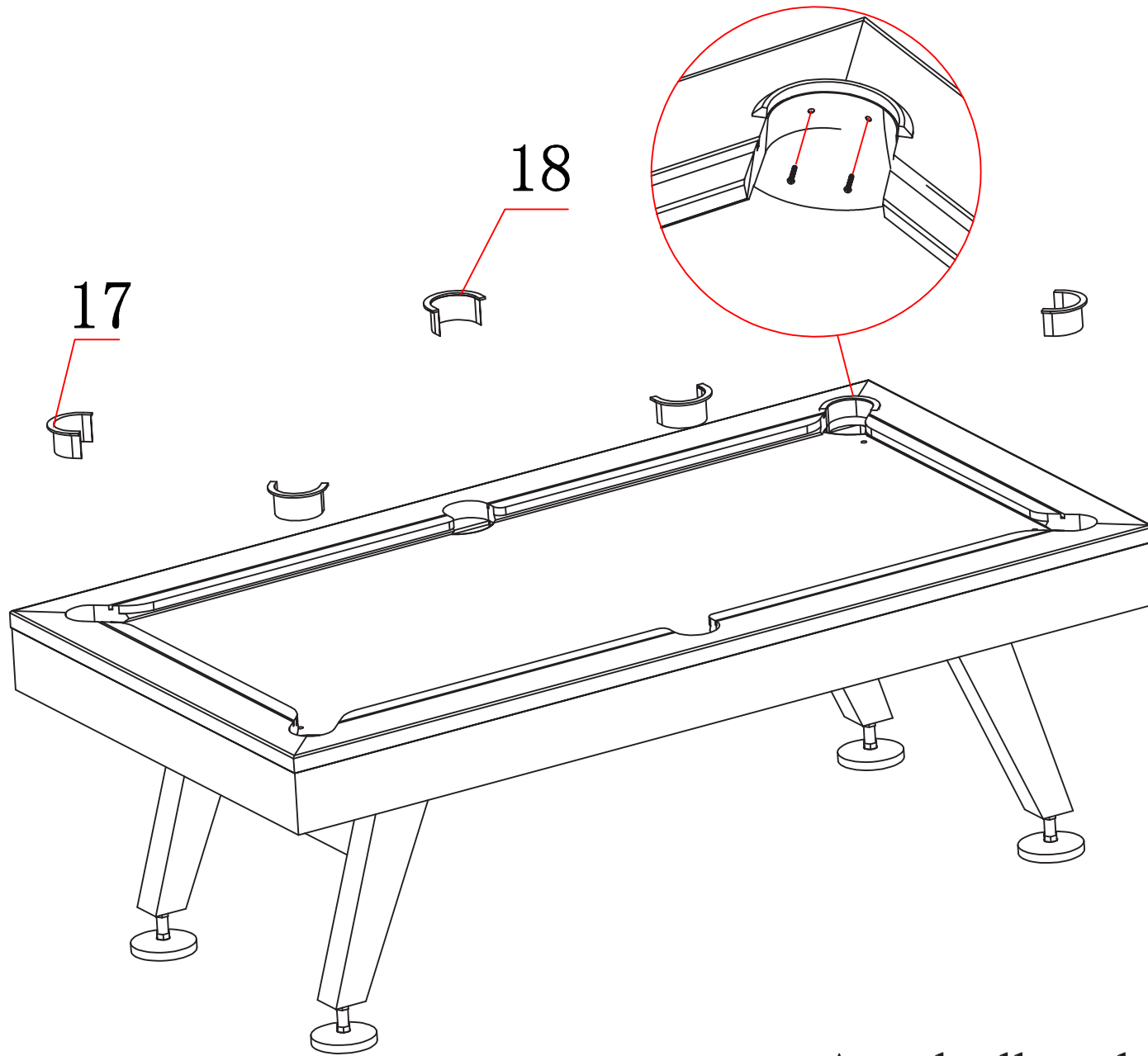
10*45



*12

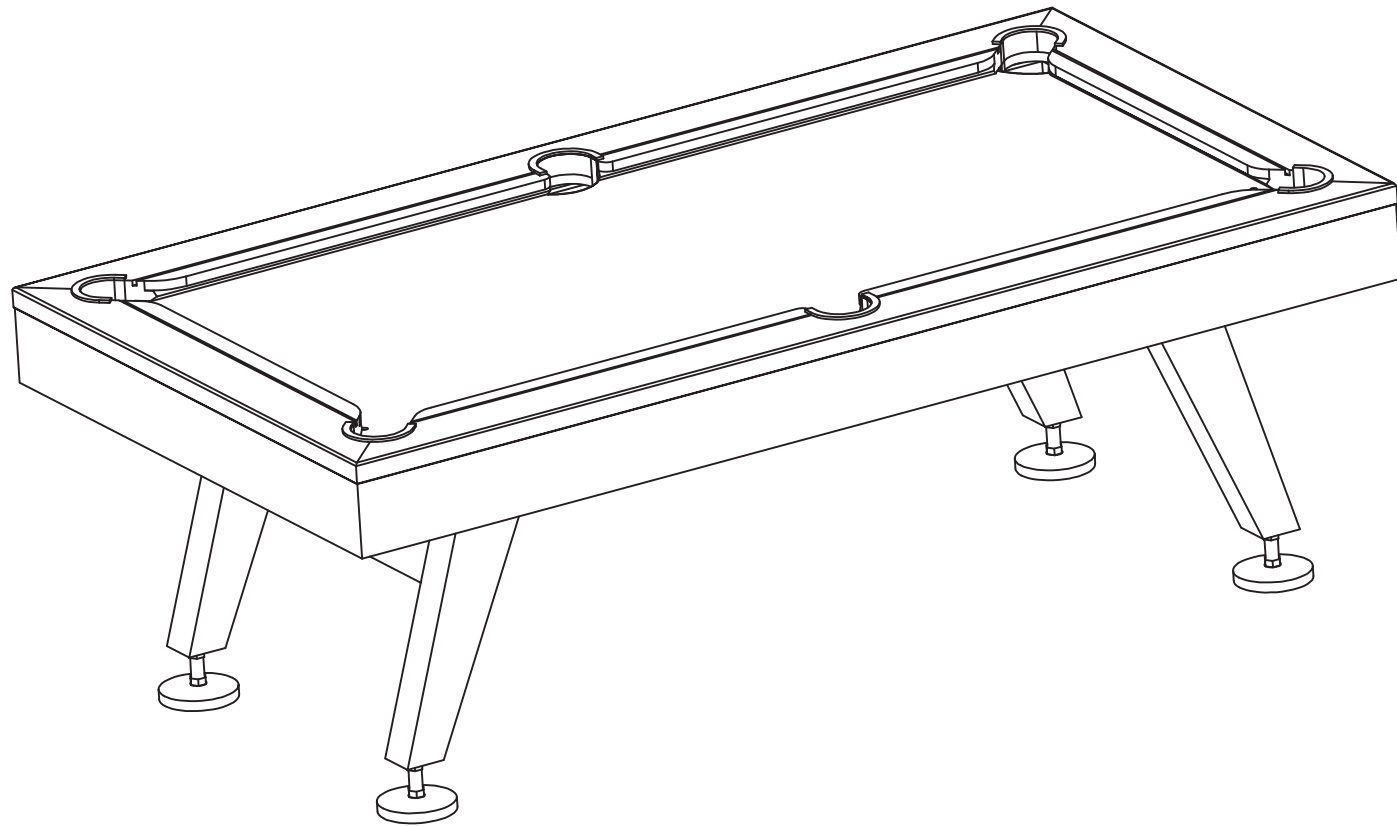
Attach the slates firmly
by using screws.

16



Attach all pockets firmly
by using screws.

17



Congratulations! All done!