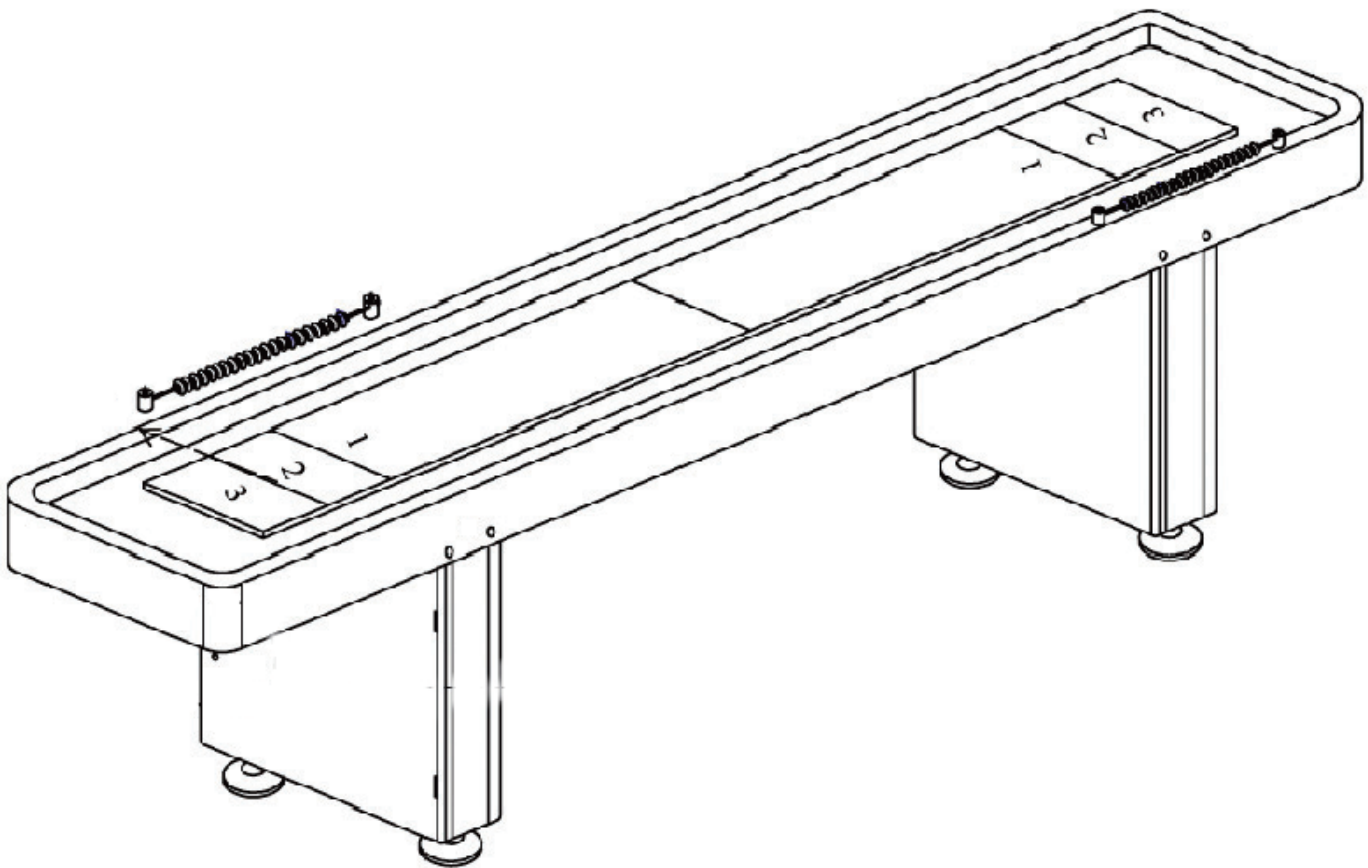


# 9 Shufflebaord Table

## ASSEMBLY INSTRUCTION



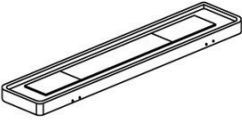
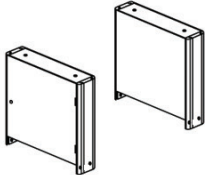
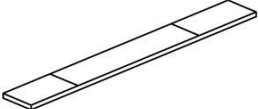



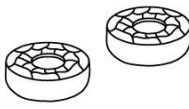




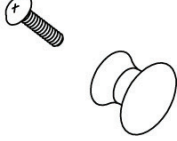

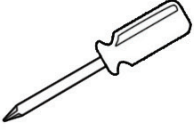
### TIP:

Using electric drill will be much easier and efficient to assemble the table

### IMPORTANT:

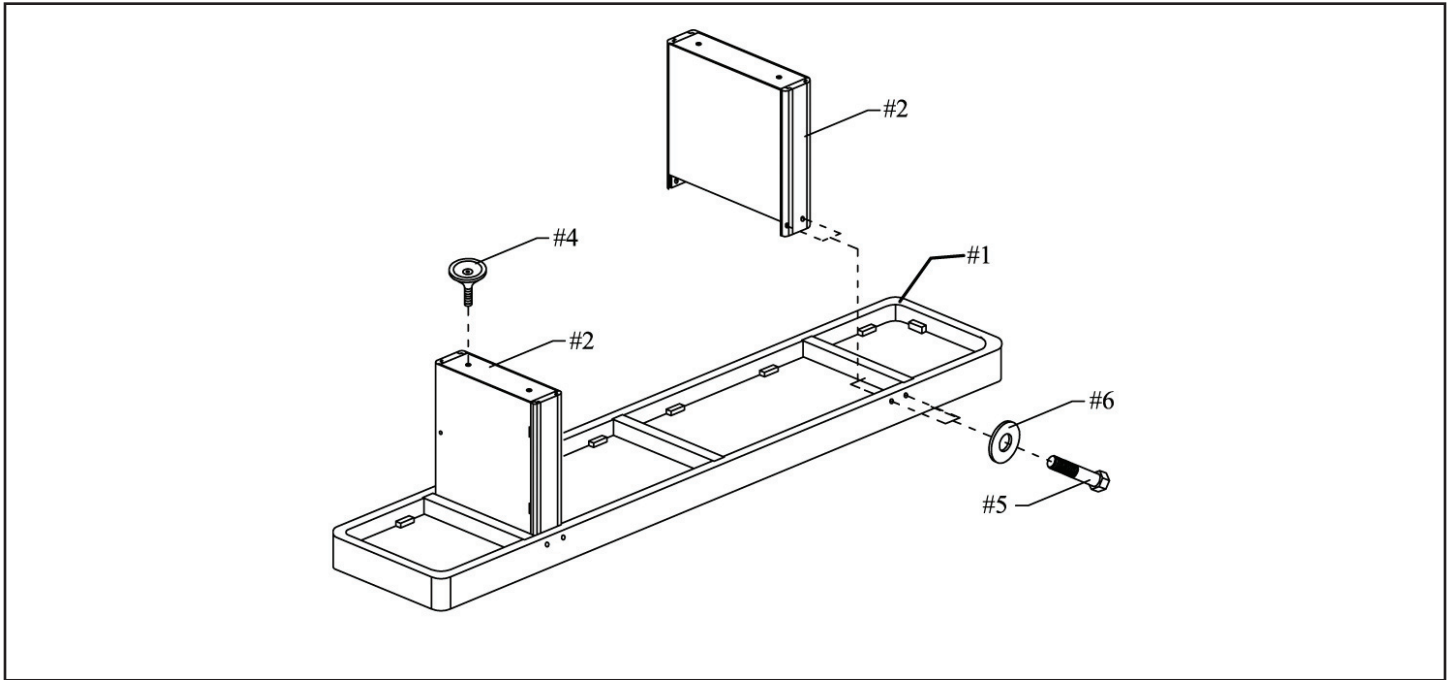
Please read through the instruction book before attempting assembly to familiarize yourself with all parts and assembly steps

# PARTS IDENTIFIER (NOT TO SCALE)

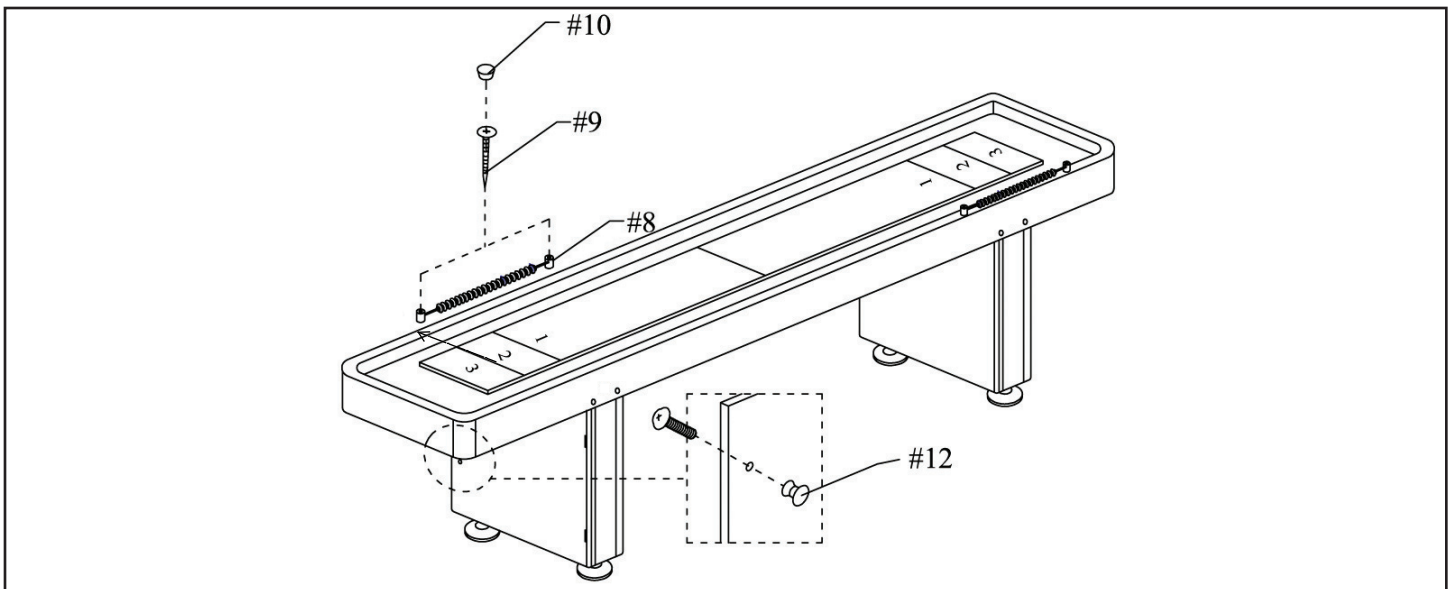
<p>#1</p>  <p><b>TABLE BODY</b> 1 pc</p>	<p>#2</p>  <p><b>LEG</b> 2 pcs</p>	<p>#3</p>  <p><b>PLAYFIELD (PRE-ASSEMBLED)</b> 1 pc</p>	<p>#4</p>  <p><b>LEG LEVELER</b> 4 pcs</p>	<p>#5</p>  <p><b>2-1/4" BOLT</b> 8 pcs</p>
<p>#6</p>  <p><b>FLAT WASHER</b> 8 pcs</p>	<p>#7</p>  <p><b>RED PUCK/BLUE PUCK</b> 4 pcs ea</p>	<p>#8</p>  <p><b>MANUAL SCORER</b> 2 pcs</p>	<p>#9</p>  <p><b>1-1/2" SCREW</b> 4 pcs</p>	<p>#10</p>  <p><b>SCREW CAP</b> 4 pcs</p>
<p>#11</p>  <p><b>WRENCH</b> 1 pc</p>	<p>#12</p>  <p><b>DOOR HANDLE</b> 2 SET</p>	<p>#13</p>  <p><b>SHUFFLEBOARD WAX</b> 1 pc</p>	<p>ADDITIONAL EQUIPMENT REQUIRED:</p>  <p><b>PHILLIPS HEAD SCREWDRIVER</b></p>	

# ASSEMBLY INSTRUCTIONS

1. Attach LEGS #2 to the underside of the TABLE BODY #1 as shown with 2-1/4" BOLT #5 and FLAT WASHER #6. *Note: The door opening must face outwards.*
2. Attach two LEG LEVELERS #4 to each LEG as shown.



3. Carefully turn table over. Attach MANUAL SCORERS #8 to TABLE BODY as shown with 1-1/2" SCREW #9. Use the playing field "3" line as a guide to align the end of the MANUAL SCORERS, as shown, for placement. Cover each SCREW with one SCREW CAP #10.
4. Attach DOOR HANDLE #12 to door opening on LEG.



# CONGRATULATIONS!

You have now assembled your Game Table. Please note the Care and Use instructions below to ensure years of trouble free use of your game table.

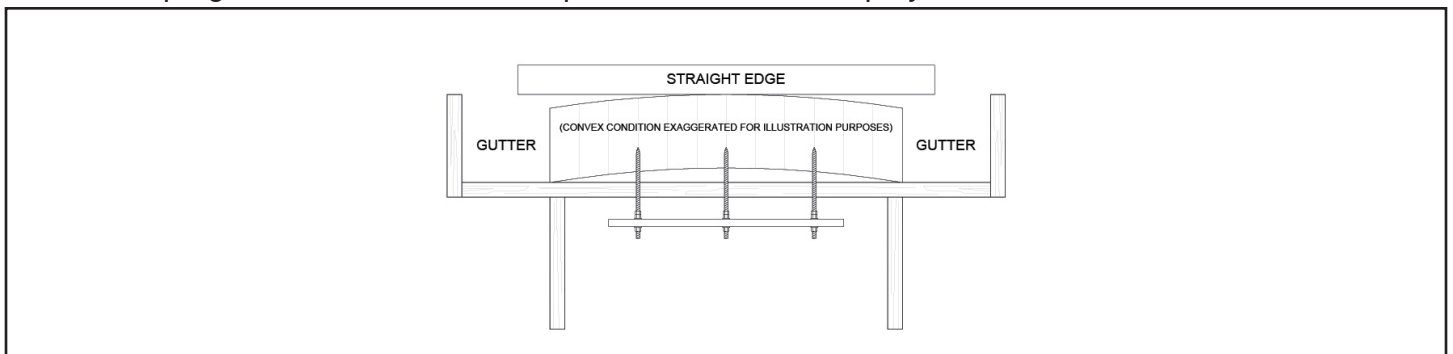
## **CARE AND USE**

1. This product is intended for INDOOR use only.
2. Do NOT sit, climb or lean on the table.
3. Do NOT drag the table when moving it as this will damage the legs.
4. This Shuffleboard is equipped with Climatic Adjusters underneath the table to level the playfield. Because of humid weather or dry conditions, it is occasionally necessary to make adjustments in order to keep the playfield true. **Make sure your table is level in both directions using Leg Levelers before making any adjustments using the Climatic Adjusters.**

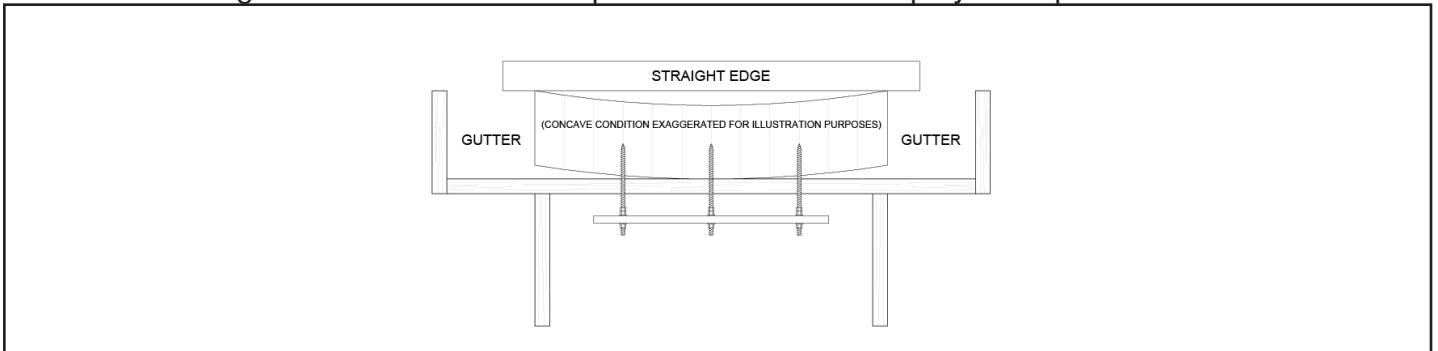
If necessary, begin the adjustment process by placing a straight edge across the playfield directly above the first Climatic Adjuster at either end of the table. This will determine if the playfield is concave or convex. The shuffleboard surface should be slightly concave to prevent the pucks from falling off the sides of the board.

Each Climatic Adjuster consists of three anchor bolts attached to the underside of the playfield through a metal bar. Adjustments will be made to the center bolt only. The outer two bolts are used to hold the metal bar in place.

To correct a convex playfield, loosen the nut above the metal bar. Slowly tighten the nut below the metal bar up against the bar in order to pull the center of the playfield down.



To correct a concave playfield, loosen the nut below the metal bar. Slowly tighten the nut above the metal bar down against the bar in order to push the center of the playfield up.



**Important: nuts should be tightened slowly with 1/4 to 3/4 turns at a time. It may take a few days for the shuffleboard to completely react. DO NOT over tighten, as this can cause permanent damage to the Climatic Adjusters and your table.**

Once the desired adjustment has been made, continue to the next Climatic Adjuster and repeat the process.

Please note that the shuffleboard will react to the adjustments for several days. Check the playfield again after a few days to determine if further adjustments are needed.



## T&R Sports Online Instructions

Dear Customer,

Thank you for shopping with us.

We've tried our best to state all steps clearly, but please understand that we couldn't draw all the details completely due to the complexity of some steps. So we highly recommend you find and watch the video instruction on the home page of the following websites. If you still have problem with installation, please feel free to contact us.

Yours sincerely,

Customer Service Team  
T&R Sports

 [www.trsports.com.au](http://www.trsports.com.au)  
[www.sportsleisure.com.au](http://www.sportsleisure.com.au)

 **1300 655 308**  
[customerservice@trsports.com.au](mailto:customerservice@trsports.com.au)



### FIND US

**NO MATTER WHEN. NO MATTER HOW.**

**SYDNEY STORE:**  
1c/149 McCredie Rd  
Smithfield  
NSW 2164  
(02) 6188 8066 / 0430 165 265  
[sydney@trsports.com.au](mailto:sydney@trsports.com.au)  
**BUSINESS HOURS:**  
Mon.-Fri. 9:00-17:00  
Sat. -Sun. 10:00-16:00  
Public Holiday: 10:00-16:00

**MELBOURNE STORE:**  
1 Jacksons Road  
Mulgrave,  
VIC 3170  
(03) 4060 9020 / 0402 517 151  
[melbourne@trsports.com.au](mailto:melbourne@trsports.com.au)  
**BUSINESS HOURS:**  
Mon.-Fri. 9:00-17:00  
Sat. -Sun. 10:00-16:00  
Public Holiday: 10:00-16:00

**BRISBANE STORE:**  
55 Gardens Dr.  
Willawong  
QLD 4110  
(07) 3060 8360 / 0423 258 322  
[brisbane@trsports.com.au](mailto:brisbane@trsports.com.au)  
**BUSINESS HOURS:**  
Mon.-Fri. 9:00-17:00  
Sat. -Sun. 10:00-16:00  
Public Holiday: 10:00-16:00