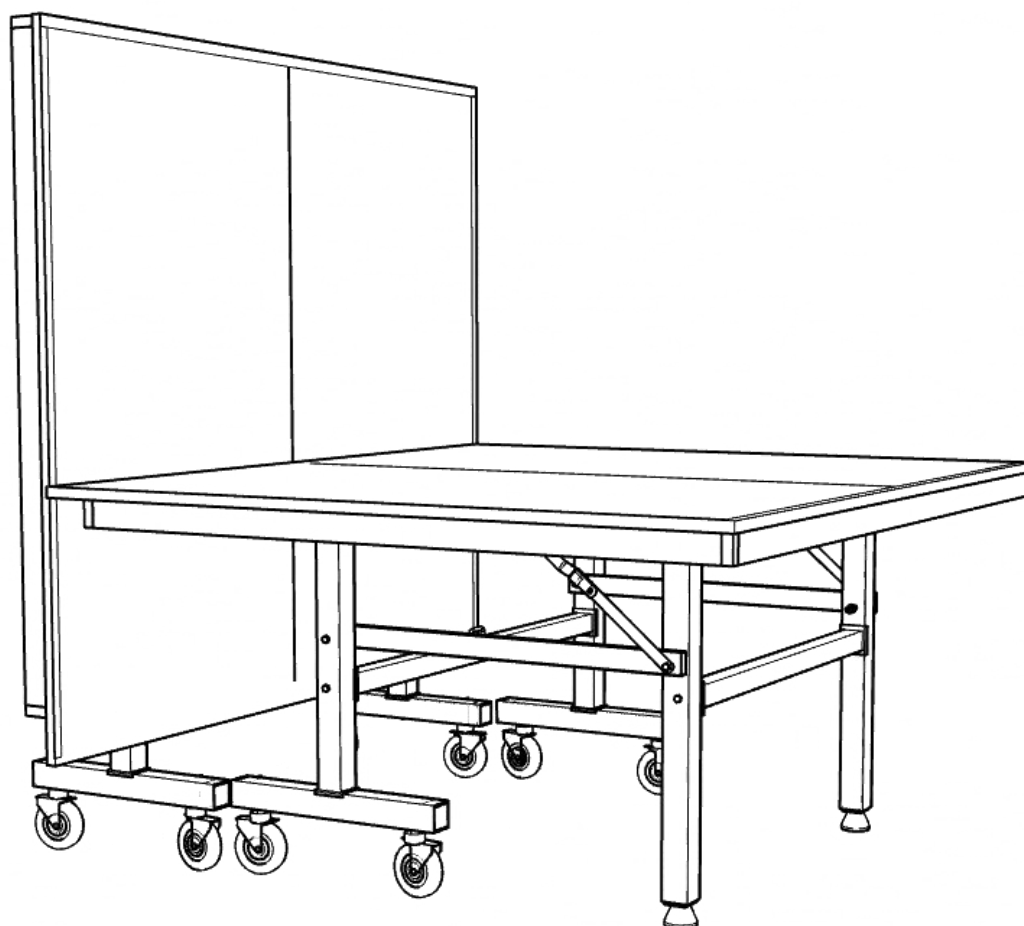

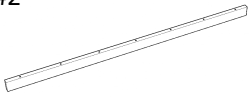
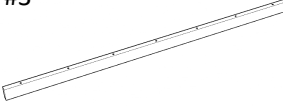
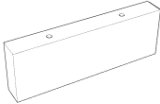
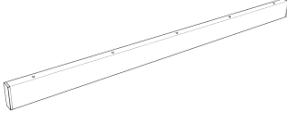
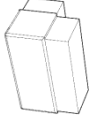
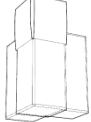
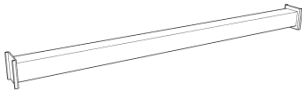
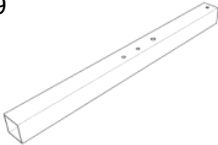
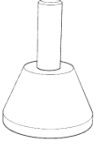
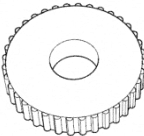
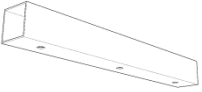




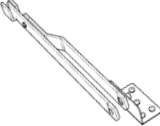



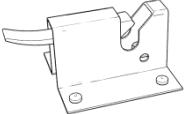
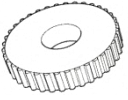

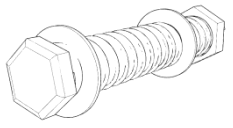
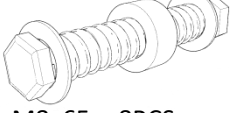
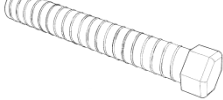
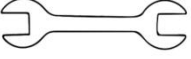
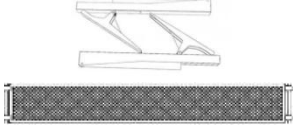


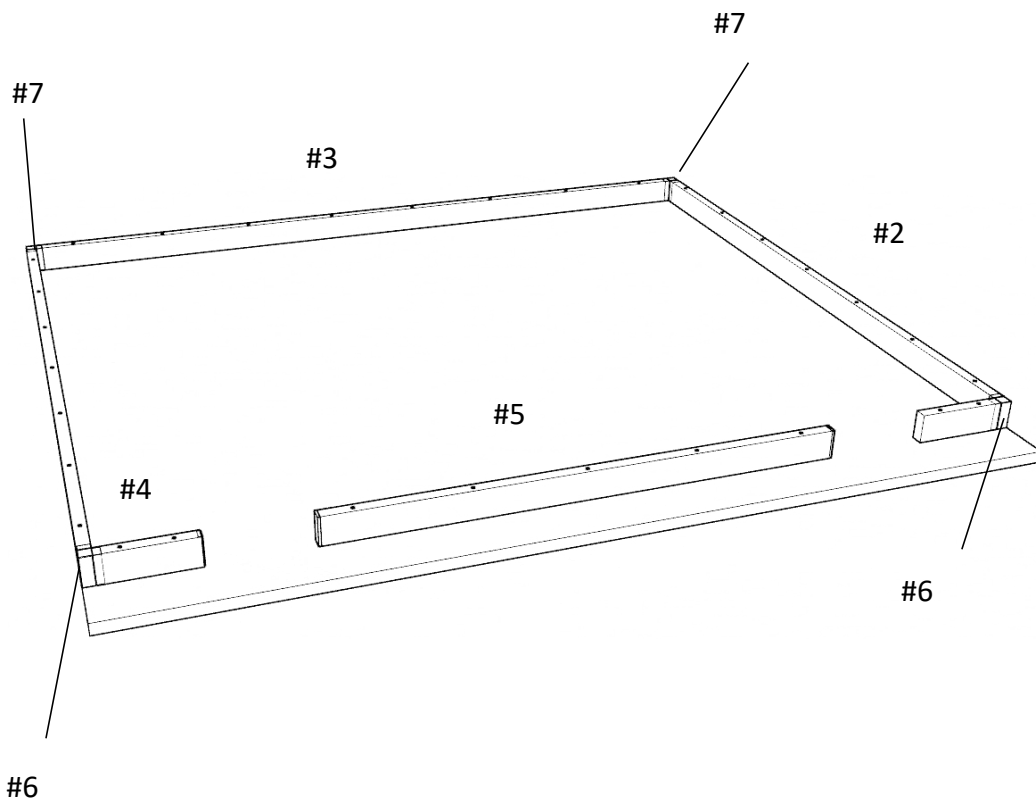


Installation examples for Single folding table

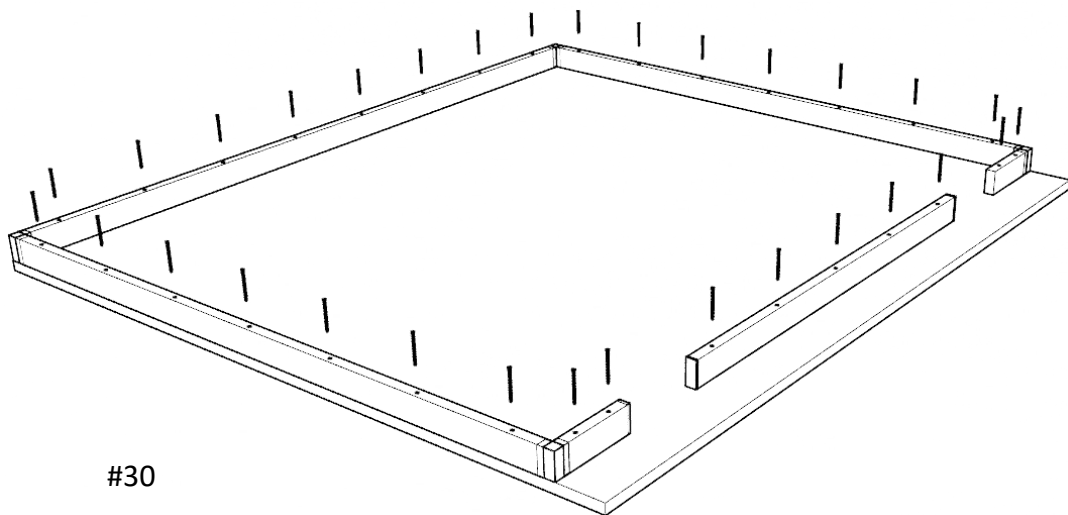


<p>#1</p>  <p>16mm 2PCS</p>	<p>#2</p>  <p>1240mm 4PCS</p>	<p>#3</p>  <p>1484mm 2PCS</p>	<p>#4</p>  <p>150mm 4PCS</p>
<p>#5</p>  <p>830mm 2PCS</p>	<p>#6</p>  <p>4PCS</p>	<p>#7</p>  <p>4PCS</p>	<p>#8</p>  <p>863mm 2PCS</p>
<p>#9</p>  <p>699mm 4PCS</p>	<p>#10</p>  <p>M10*30 4PCS</p>	<p>#11</p>  <p>M12*48 8PCS</p>	<p>#12</p>  <p>450mm 4PCS</p>
<p>#13</p>  <p>620mm 4PCS</p>	<p>#14</p>  <p>998mm 2PCS</p>	<p>#15</p>  <p>660mm 4PCS</p>	<p>#16</p>  <p>Light 2SET</p>
<p>#17</p>  <p>Right 2SET</p>	<p>#18</p>  <p>4PCS</p>	<p>#19</p>  <p>4PCS</p>	<p>#20</p>  <p>16PCS</p>
<p>#21</p>  <p>2PCS</p>	<p>#22</p>  <p>M10x40 4 PCS</p>	<p>#23</p>  <p>M4x12 128PCS</p>	<p>#24</p>  <p>M8x45 8PCS</p>
<p>#25</p>  <p>M8x65 8PCS</p>	<p>#26</p>  <p>M10x40 12PCS</p>	<p>#27</p>  <p>3PCS</p>	<p>#28</p>  <p>NET 1</p>
<p>#29</p>  <p>1SET</p>	<p>#30</p>  <p>M4*40 62PCS</p>	<p>#31</p>	<p>#32</p>

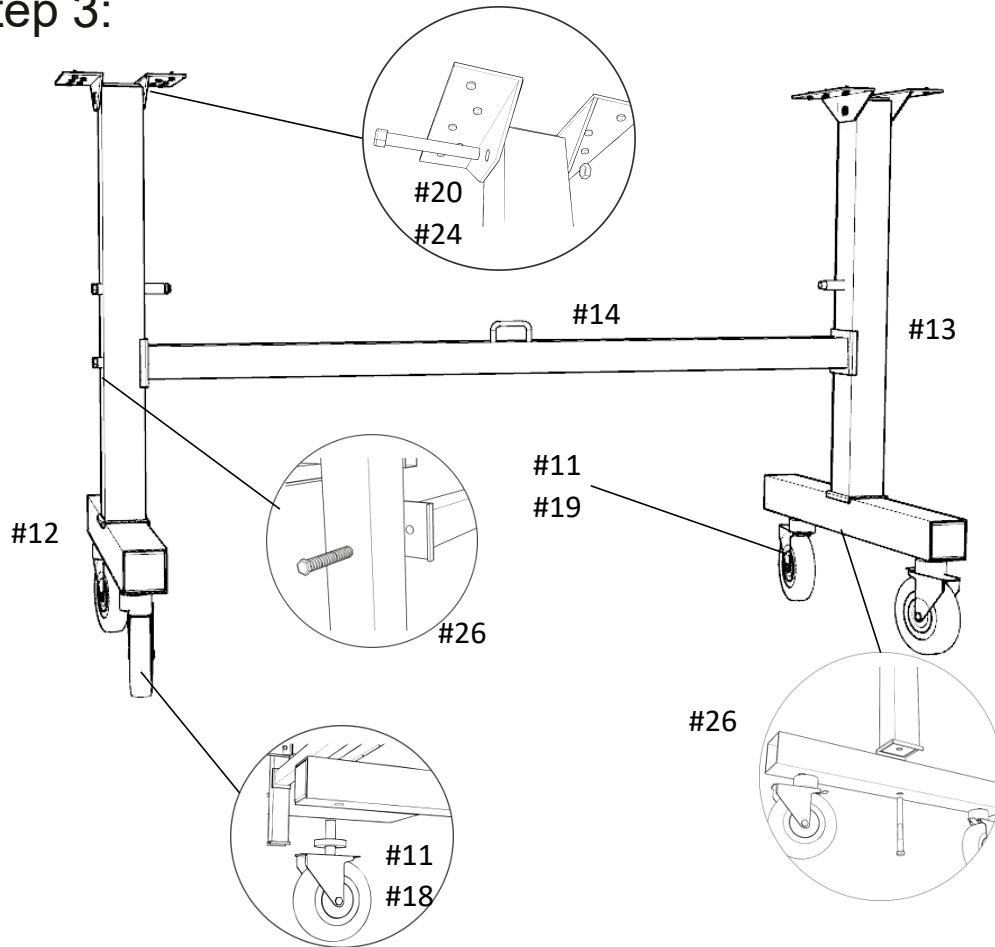
Step 1:



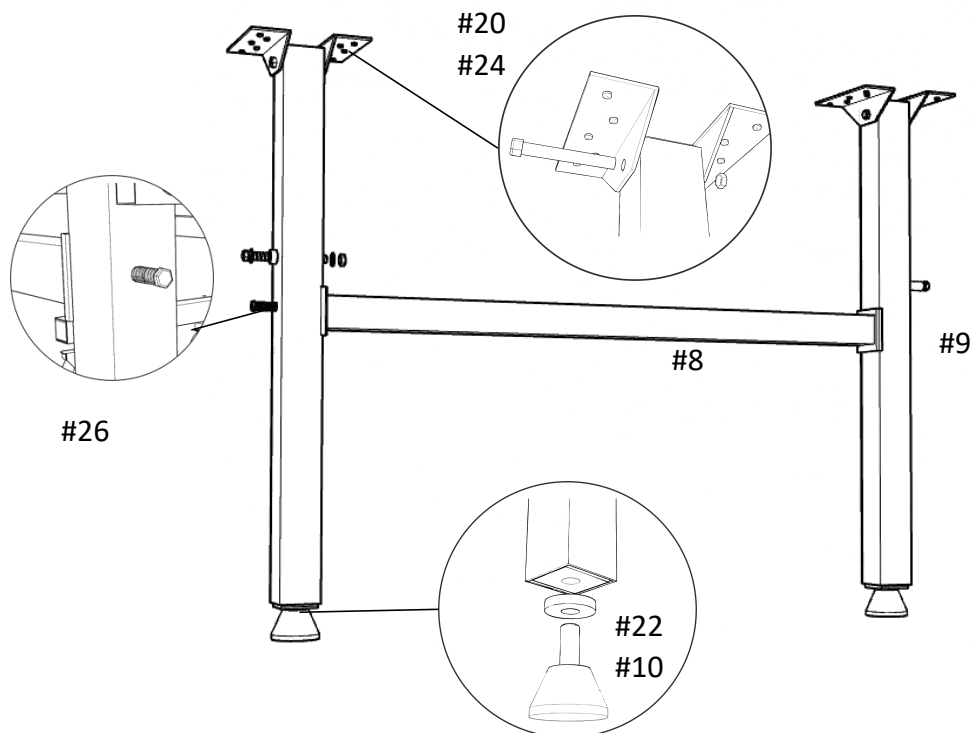
Step 2:



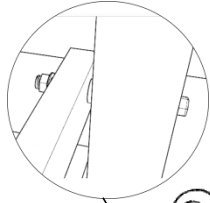
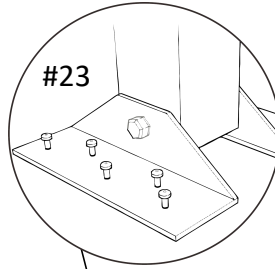
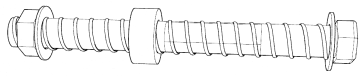
Step 3:



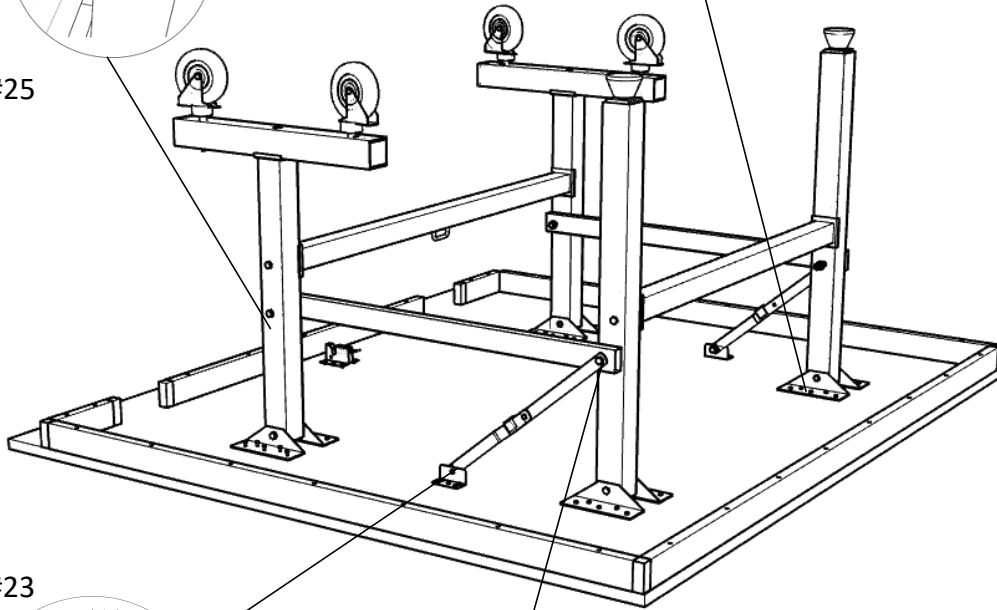
Step 4:



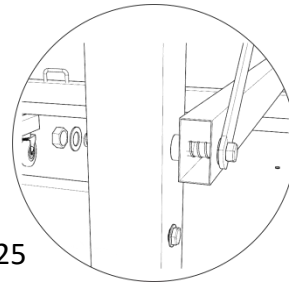
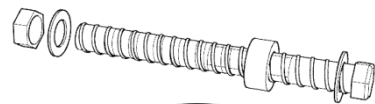
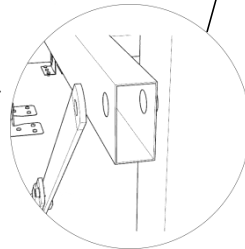
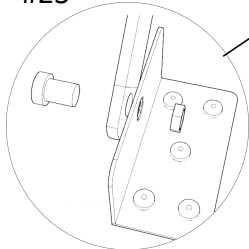
Step 5:



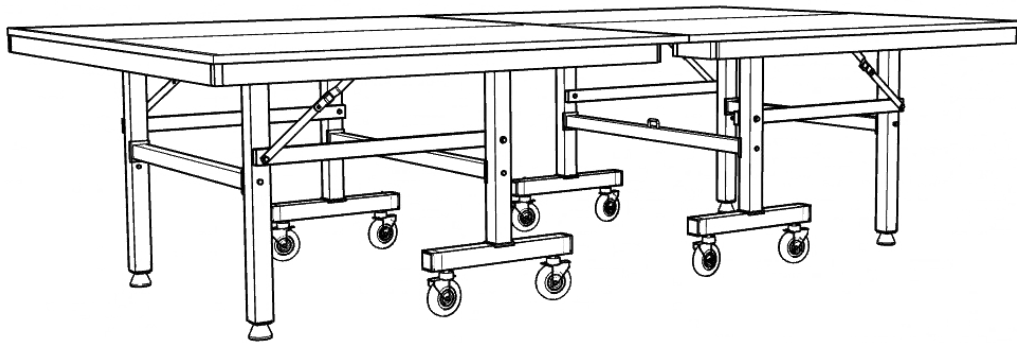
#25



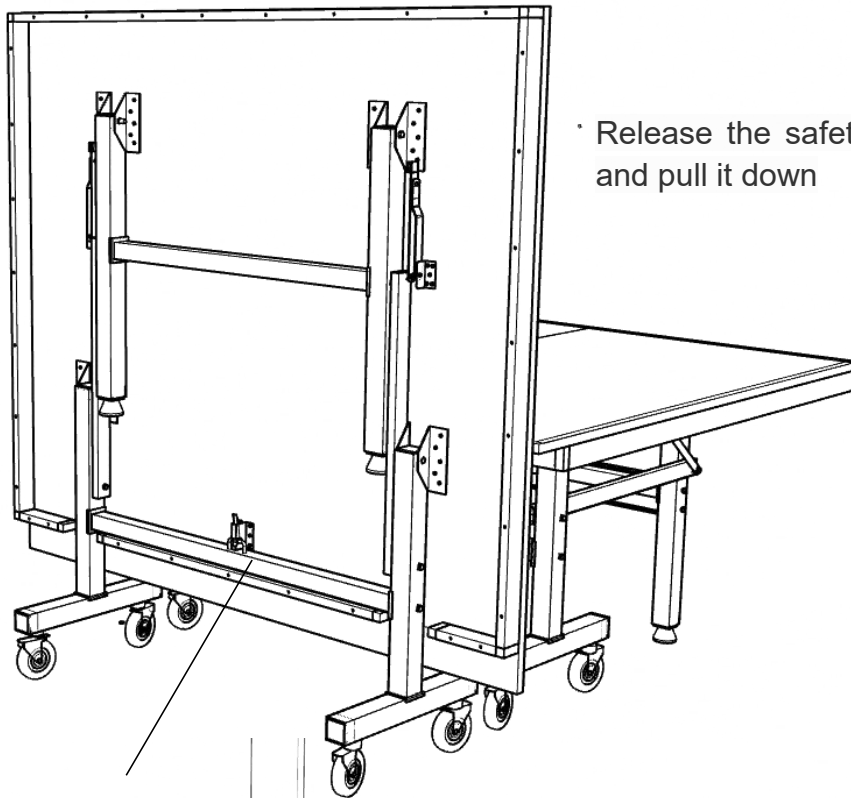
#23



#25

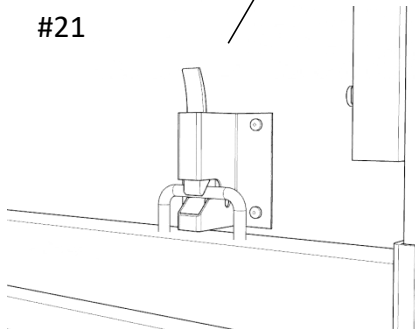


Step 6:



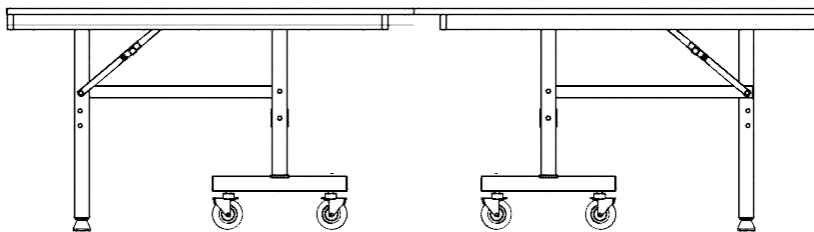
Release the safety lock and pull it down

#21



Press the safety lock and the panel goes down

Push up until you install the lock, and lock it and let it go



Step 7:

