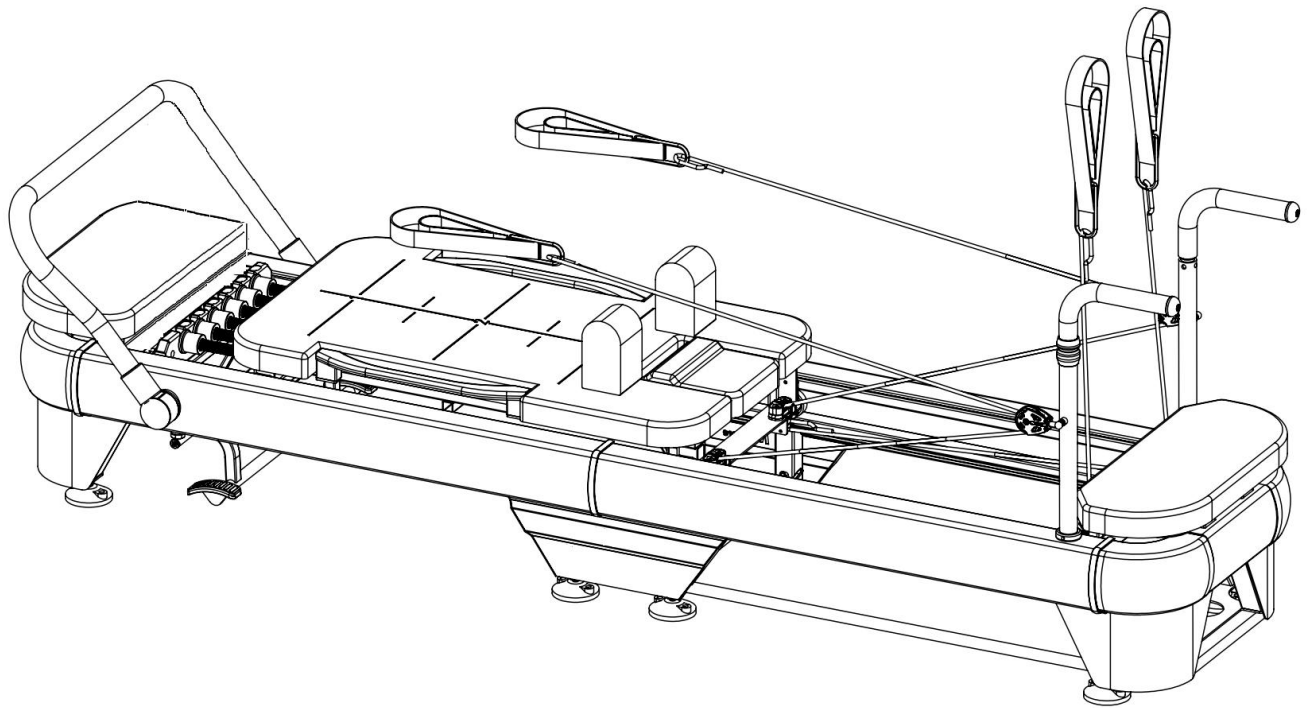
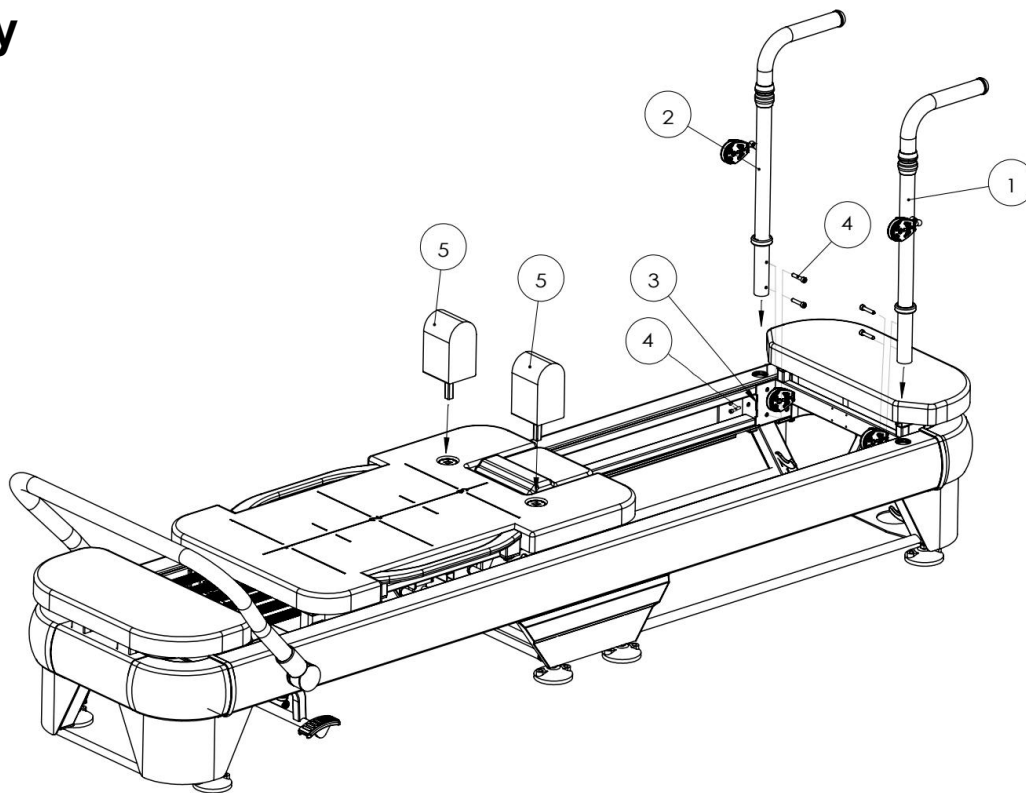


# Pilates reformer



# Pilates reformer

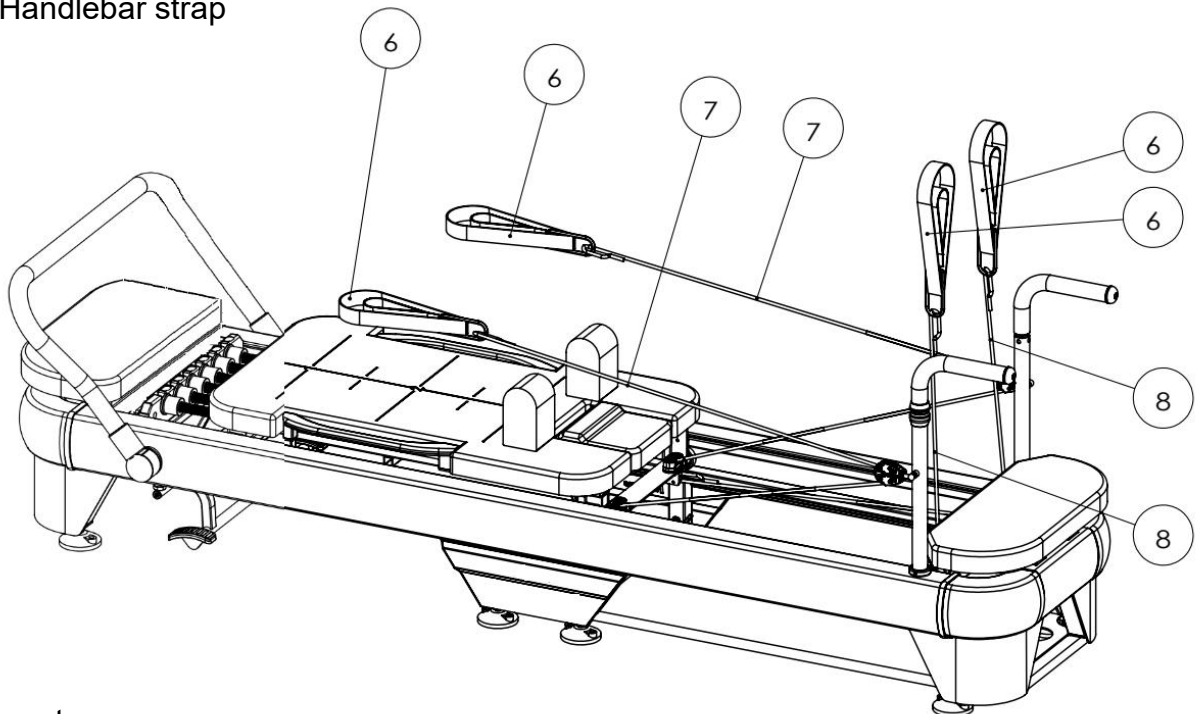
## Assembly



1. Left Back Bar x 1
2. Right Back Bar x 1
3. Back Frame x1
4. M8 Bolts x 6
5. Shoulder pad x 2

# Pilates reformer Assembly

## Rope and Handlebar strap



6. Handlebar strap
7. Long Rope
8. Short Rope