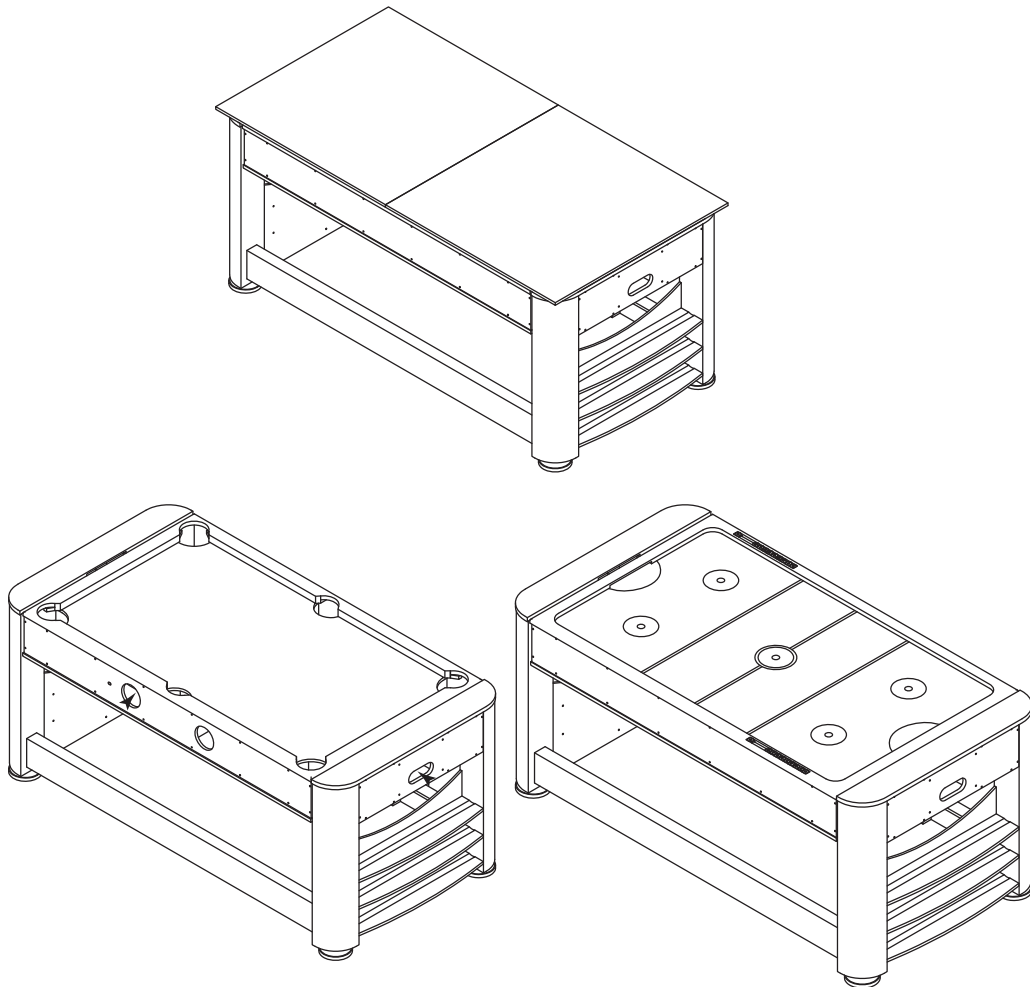


6FT 3 IN 1 Game Table

ASSEMBLY INSTRUCTION



TIP:

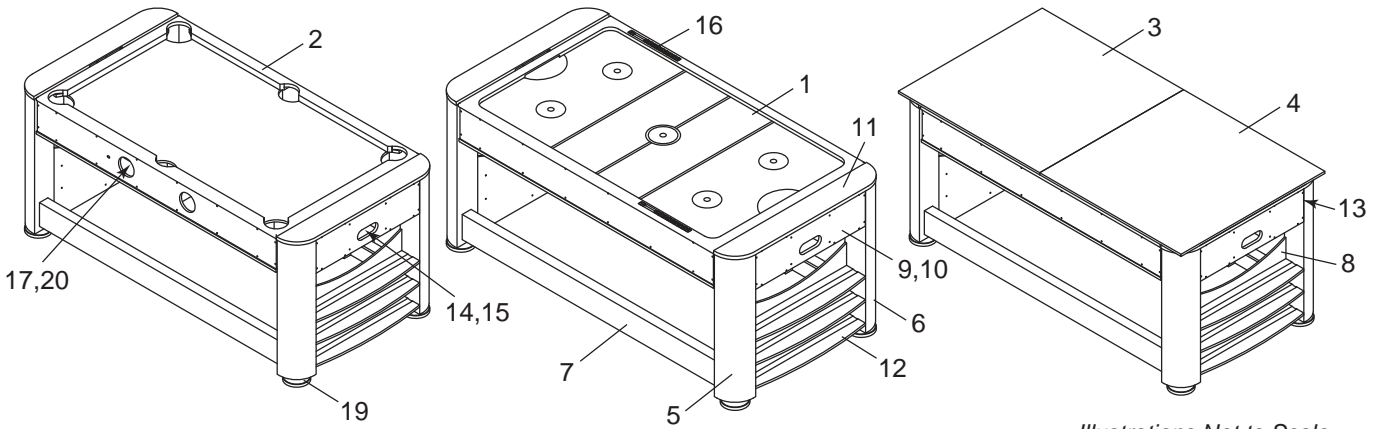
Using electric drill will be much easier and efficient to assemble the table

IMPORTANT:

Please read through the instruction book before attempting assembly to familiarize yourself with all parts and assembly steps

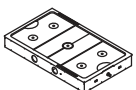
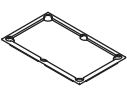
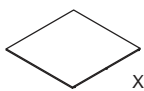
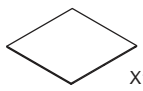


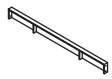
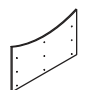
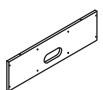
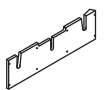

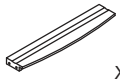
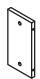

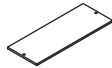
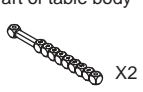

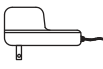




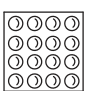

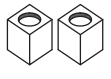



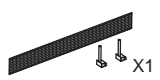



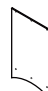
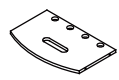
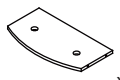
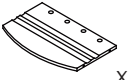
6 FT3 IN1 GAME TABLE

Parts List

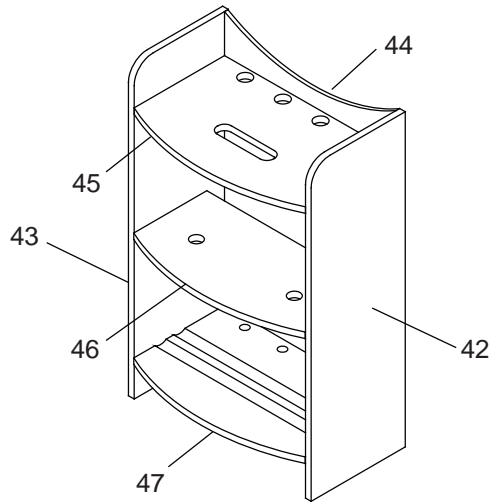


Illustrations Not to Scale

PARTS

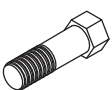
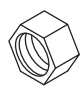
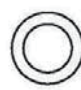
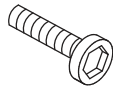

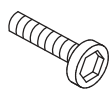






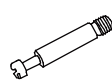



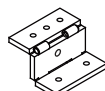

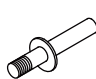


#1 Part of table body  X1 AIR HOCKEY TABLE	#2 Part of table body  X1 POOL TABLE	#3  X1 TABLE TENNIS TOP A	#4  X1 TABLE TENNIS TOP B	#5  X2 LEG - LEFT	#6  X2 LEG - RIGHT	#7  X2 SIDE LEG PANEL
#8  X2 END LEG PANEL	#9  X2 END APRON A	#10  X2 END APRON B	#11  X2 END TOP RAIL	#12  X6 LEG SHELF	#13  X4 CONNECTING PLATE	#14  X4 PUCK RETURN BOX SIDE
#15  X2 PUCK RETURN BOX BOTTOM	#16 Part of table body  X2 SLIDE SCORER	#17 Part of table body  X1 BLOWER MOTOR	#18  X1 POWER ADAPTER	#19  X4 LEG LEVELER	#20 Part of table body  X1 CONNECTION WIRE	#21  X2 STRIKER
#22  X2 PUCK	#23 NGP5834  X1 BILLIARD BALLS	#24  X1 TRIANGLE	#25  X2 CHALK	#26  X1 BRUSH	#27  X2 CUE STICK	#28  X2 TABLE TENNIS BALL
#29  X1 TABLE TENNIS NET & POSTS	#30  X2 TABLE TENNIS PADDLE	#42  X1 LEFT SIDE PANEL	#43  X1 RIGHT SIDE PANEL	#44  X1 BACK PANEL	#45  X1 STORAGE - TOP PANEL A	#46  X1 STORAGE - MIDDLE PANEL B
#47  X1 STORAGE - BOTTOM PANEL C						

6 FT 3 IN 1 GAME TABLE Parts List (Cont.)



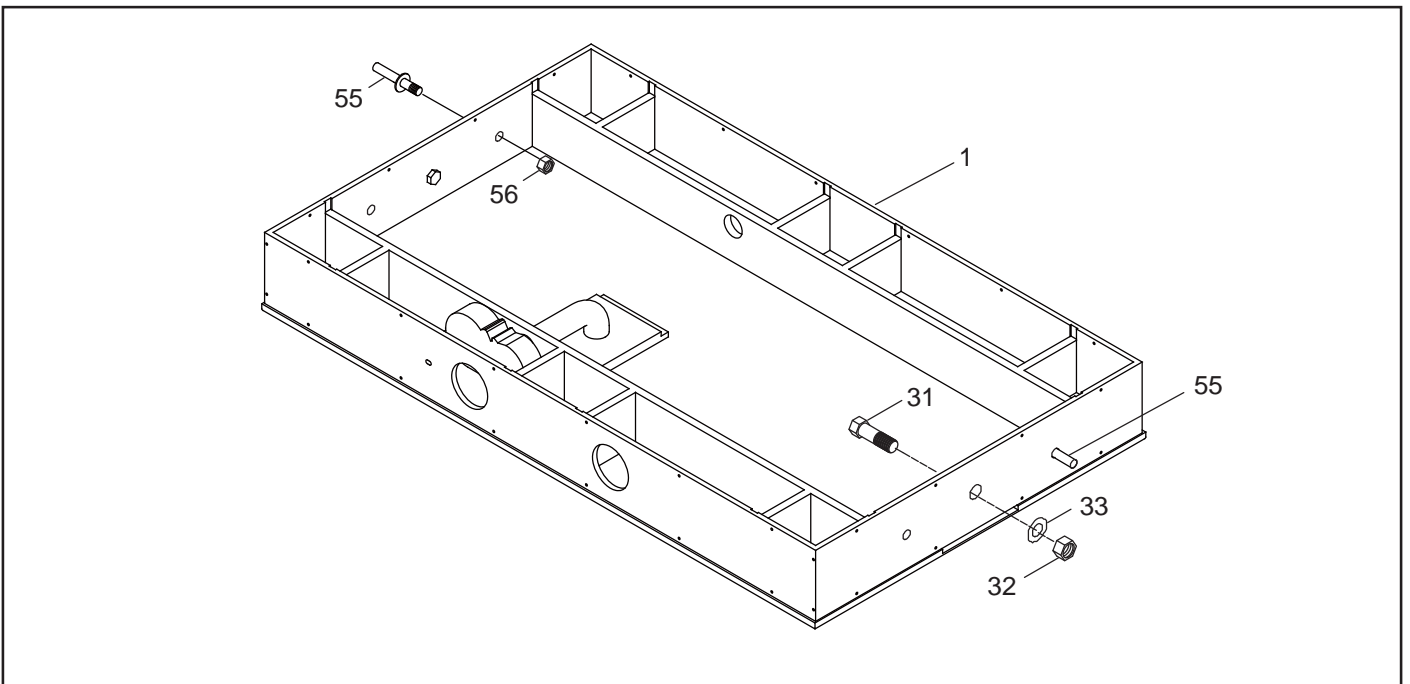
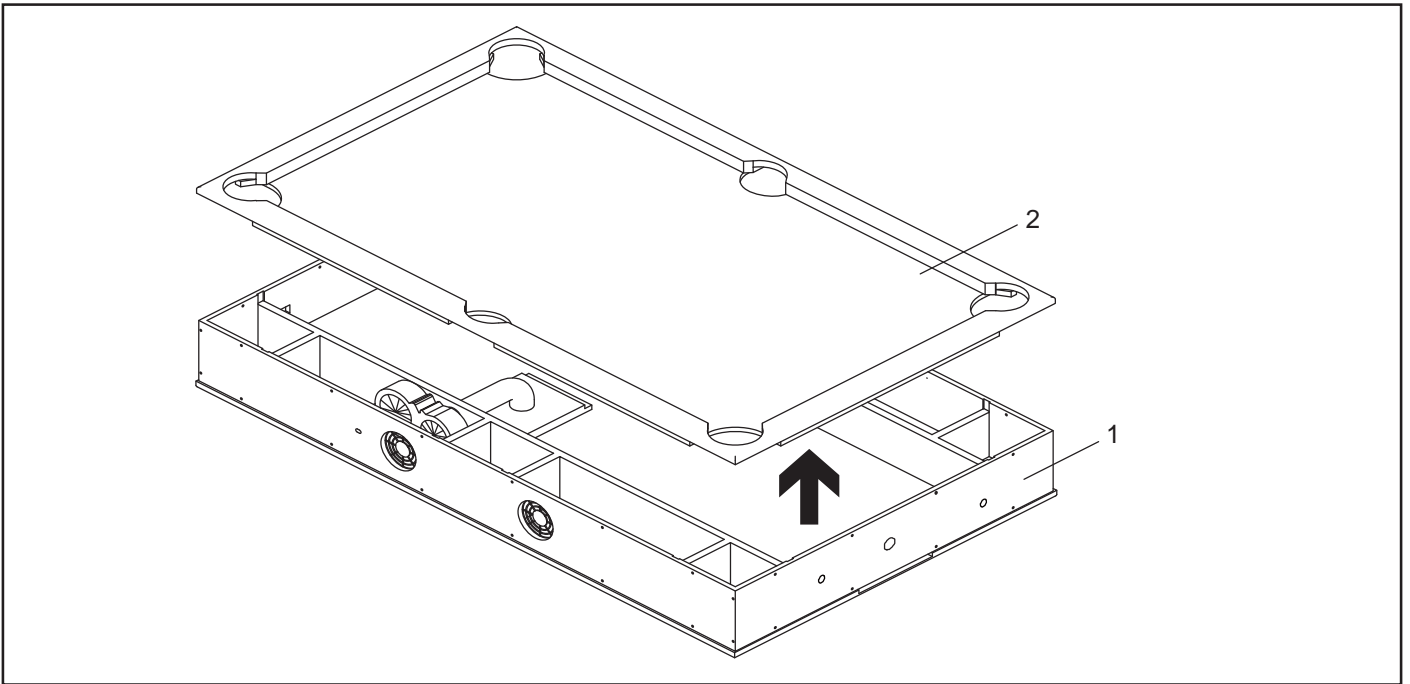
HARDWARE PACK

NOTE: If you DO NOT need entire Hardware Pack, please specify which part you need by description.

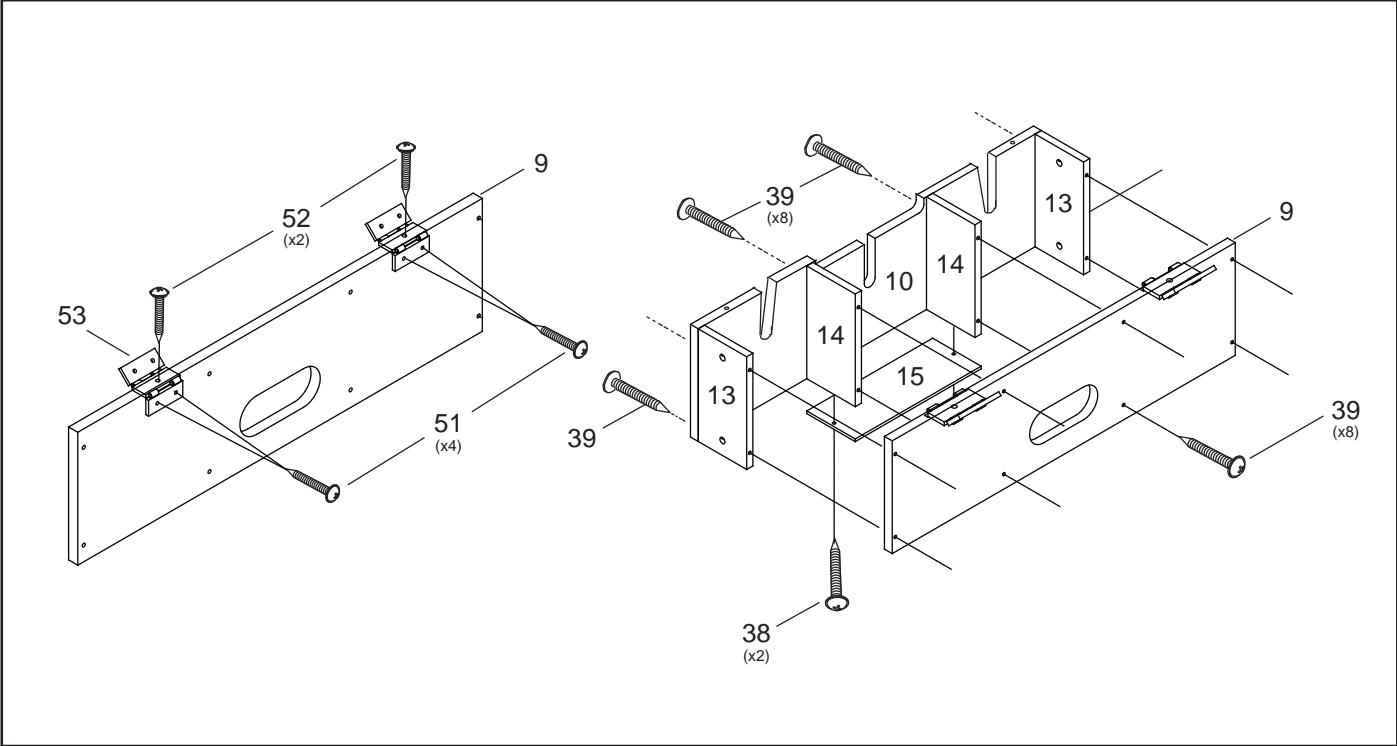
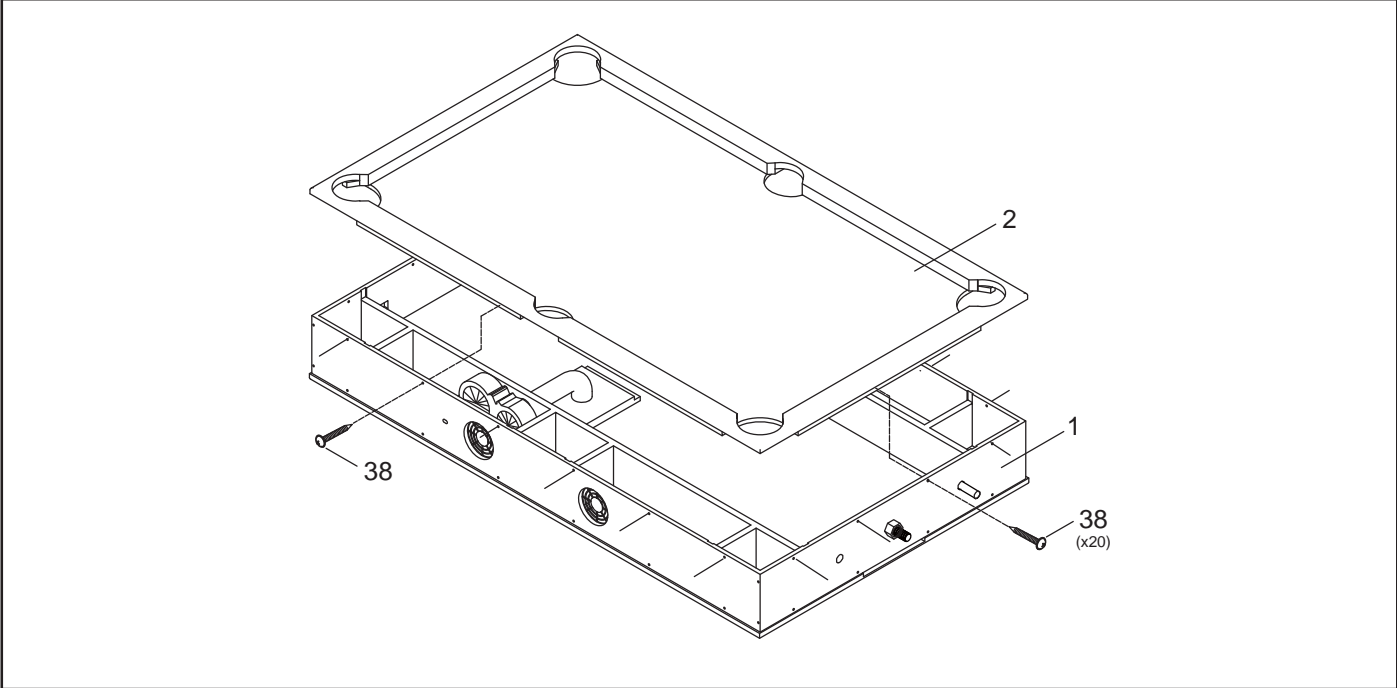
#31 X2  M20 BOLT	#32 X4  M20 NUT	#33 X4  M20 WASHER	#34 X8  5/16"X32MM BOLT	#35 X8  5/16" WASHER	#36 X32  1/4"X32MM BOLT
#37 X32  1/4" WASHER	#38 X24  4X35MM SCREW	#39 X50  4X45MM SCREW	#40 X1  ALLEN WRENCH	#41 X1  WRENCH	#48 X12  CONNECTION NUT
#49 X12  CONNECTION BOLT	#50 X6  4X25MM SCREW	#51 X16  3.5X12MM SCREW	#52 X4  3.5X15MM FLAT SCREW	#53 X4  HINGE	#54 X2  LOCK PIN
#55 X2  STOP PIN	#56 X2  M12 NUT	#57 X1  WRENCH			

ASSEMBLY INSTRUCTIONS

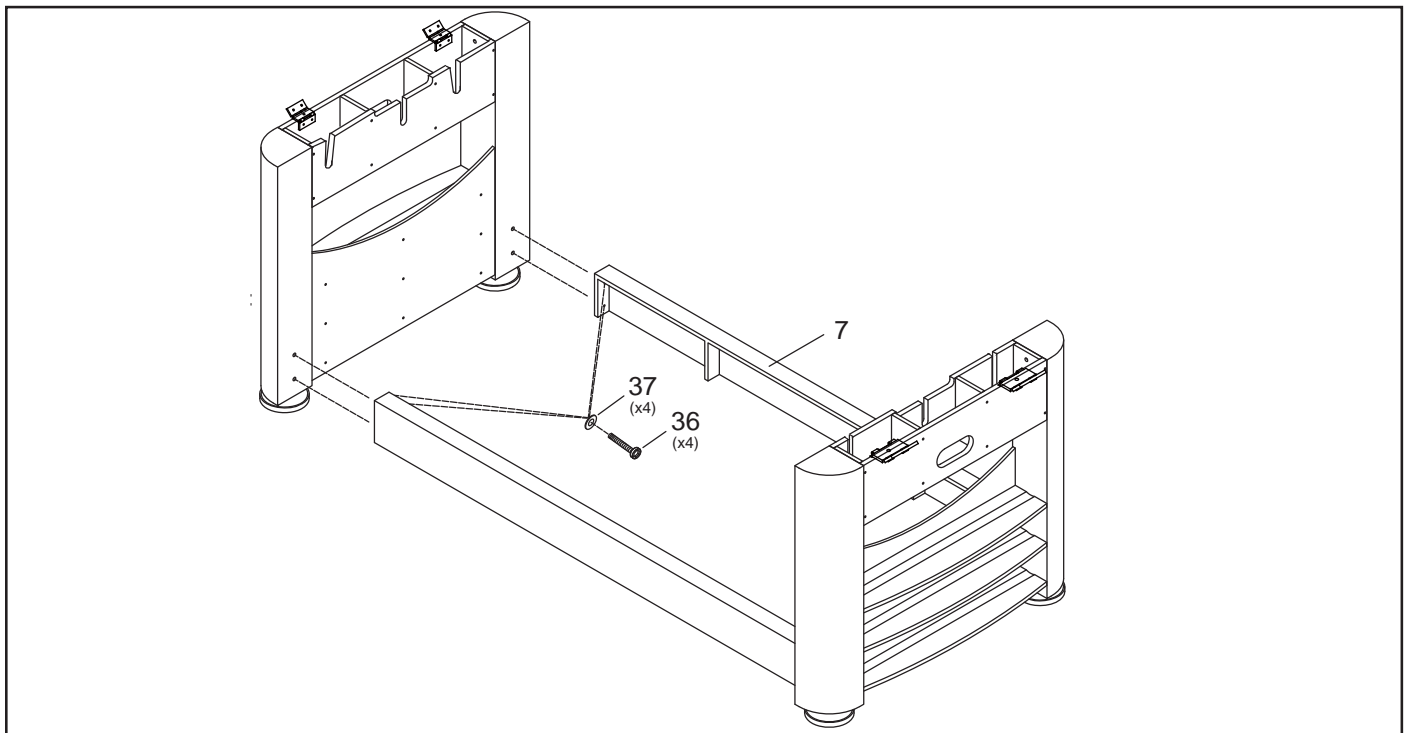
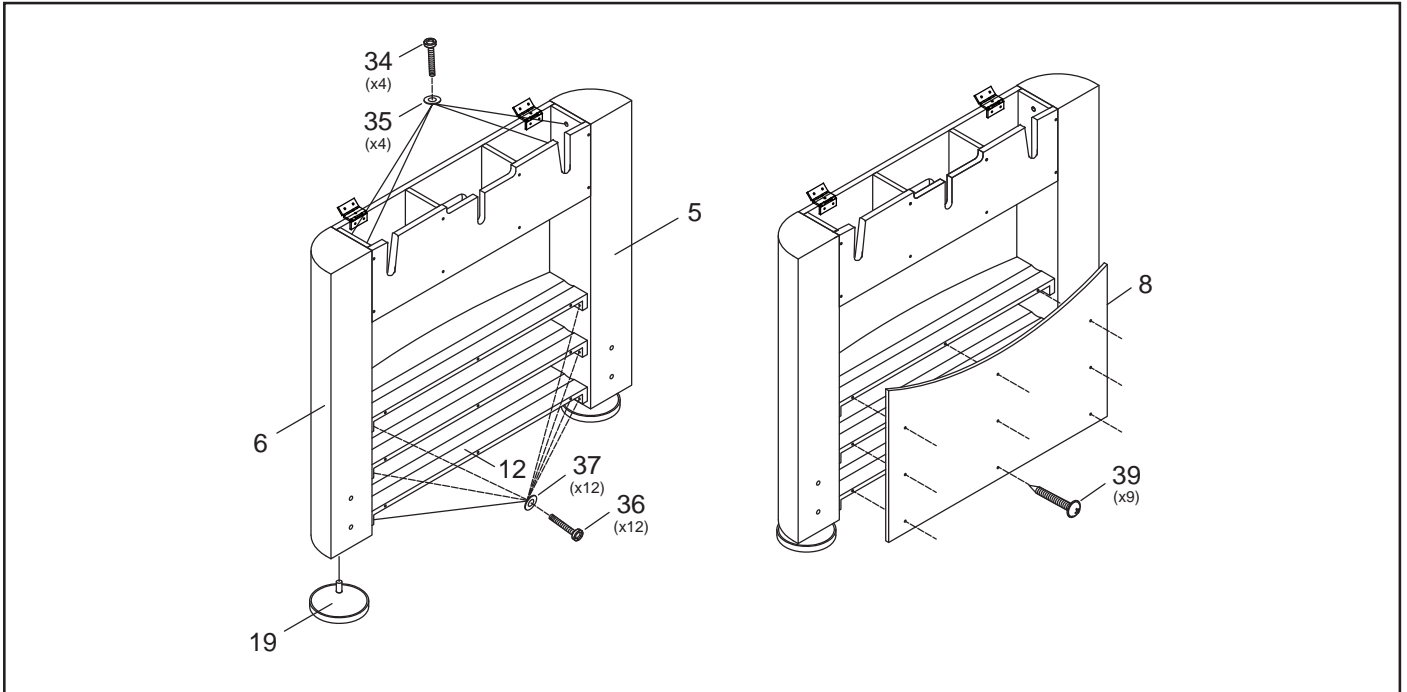
NOTE: Remove all components from the carton. Remove the Pool Table surface (#2) by removing screws (#38) around sides. Inside the Air Hockey Table cabinet (#1) you will find parts needed to assemble the table. Remove all of these before proceeding with assembly.



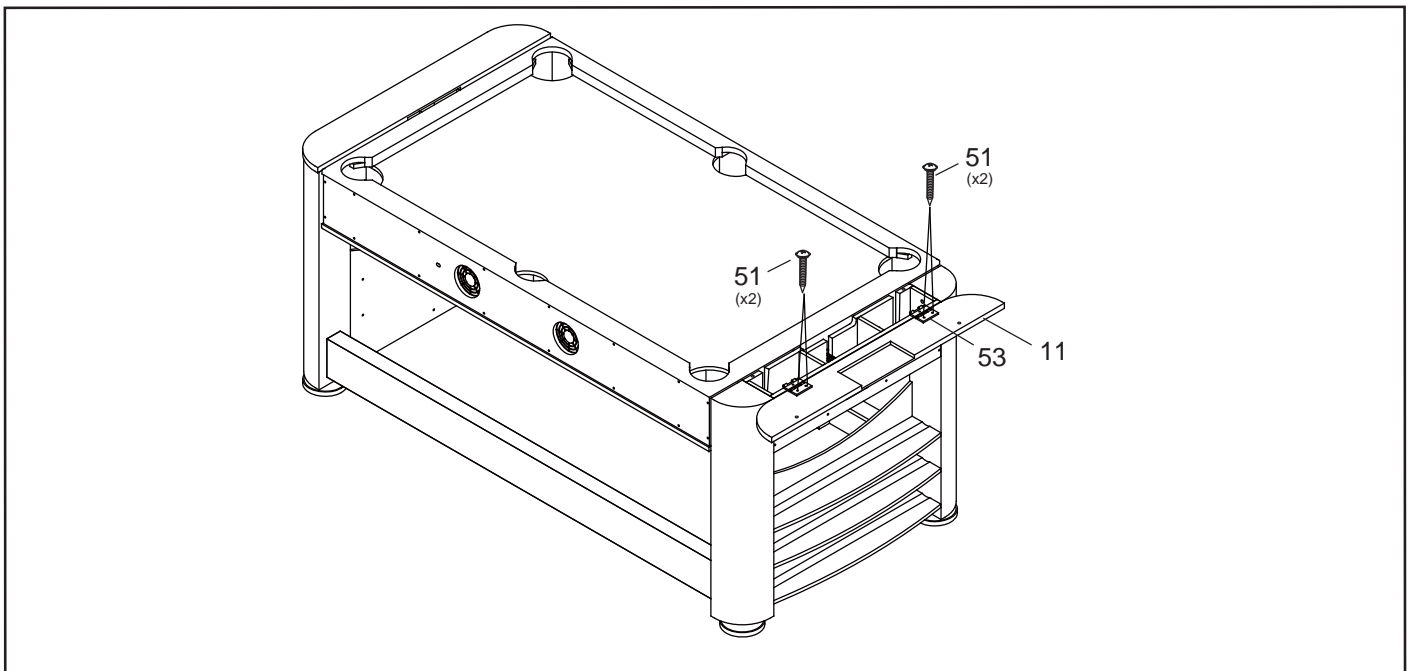
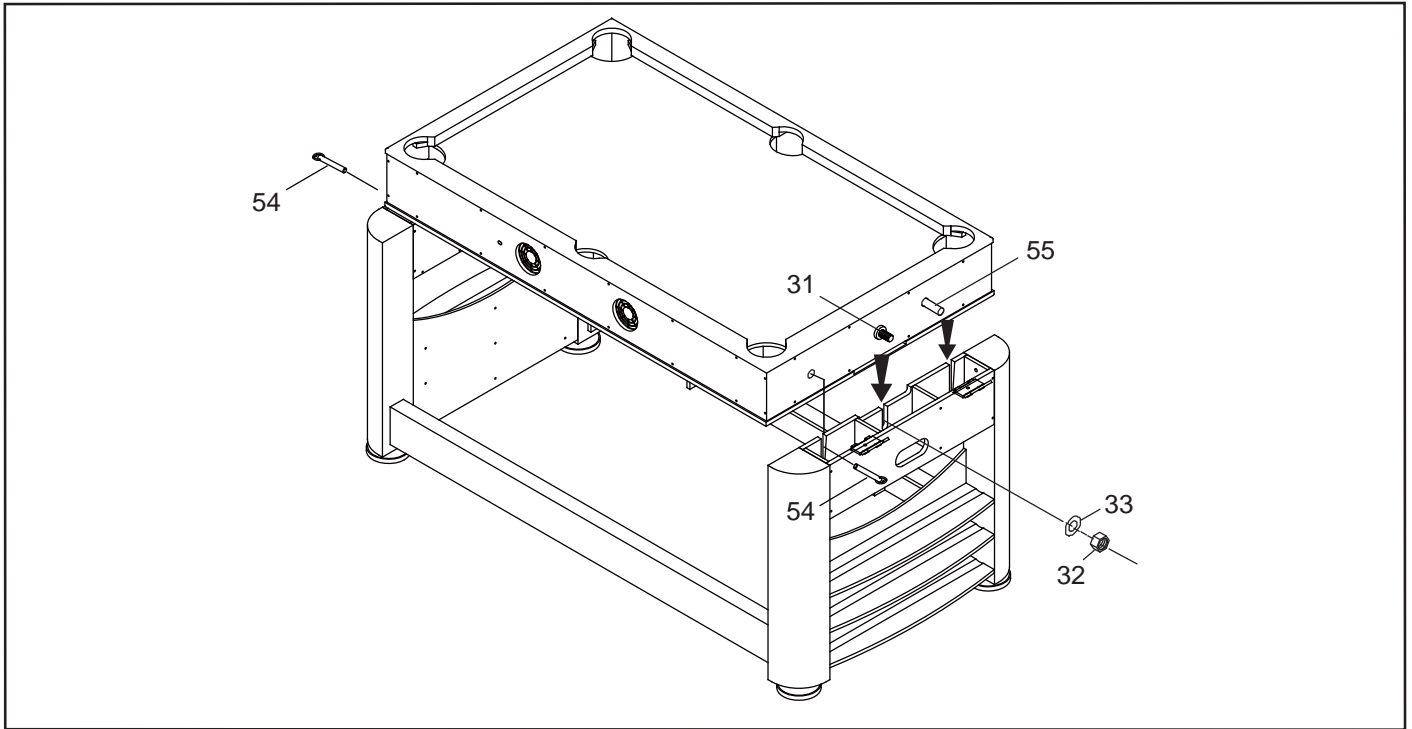
ASSEMBLY INSTRUCTIONS (CONT.)



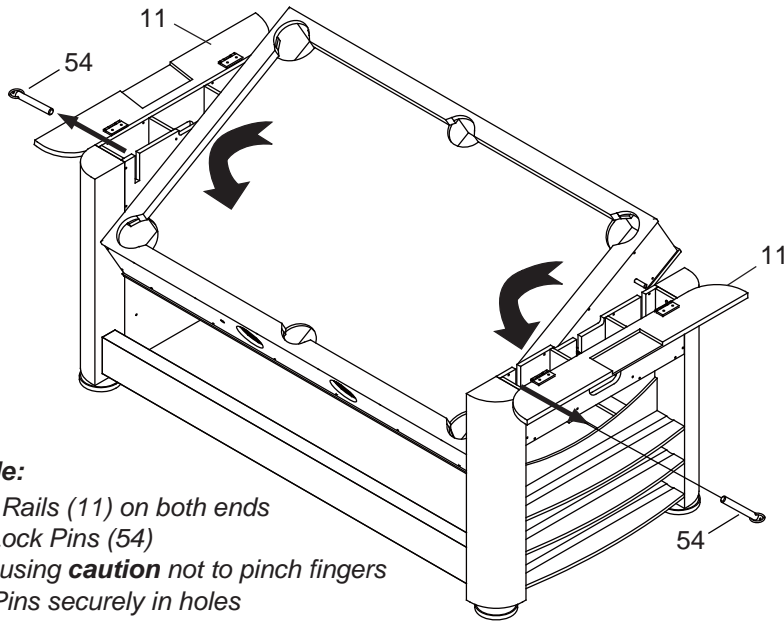
ASSEMBLY INSTRUCTIONS (CONT.)



ASSEMBLY INSTRUCTIONS (CONT.)



ASSEMBLY INSTRUCTIONS (CONT.)



Note: To flip table:

1. Open End Top Rails (11) on both ends
2. Remove both Lock Pins (54)
3. Flip table 180° using **caution** not to pinch fingers
4. Replace Lock Pins securely in holes

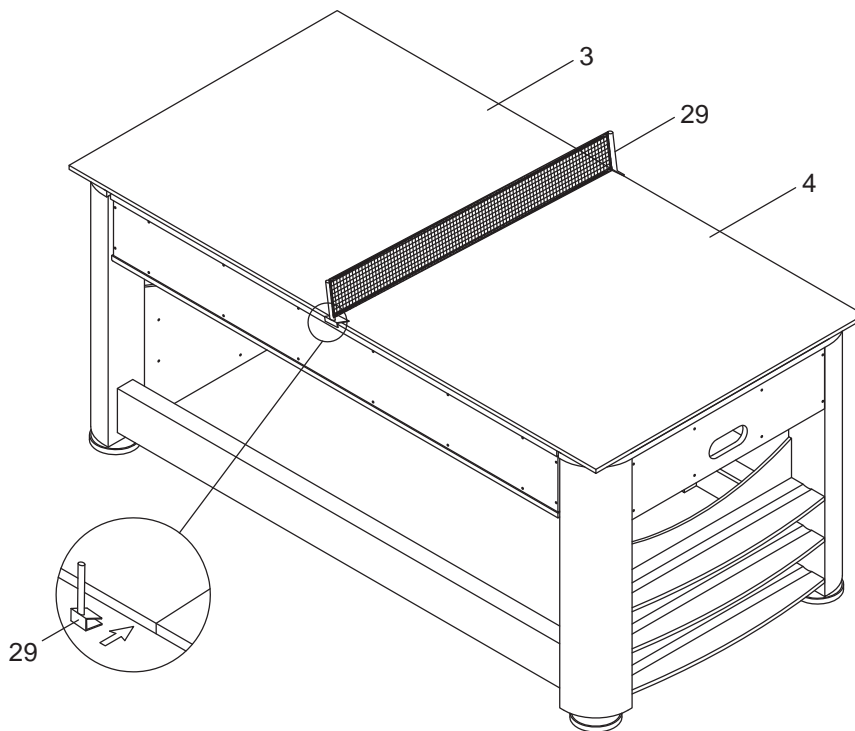
! CAUTION / ATTENTION



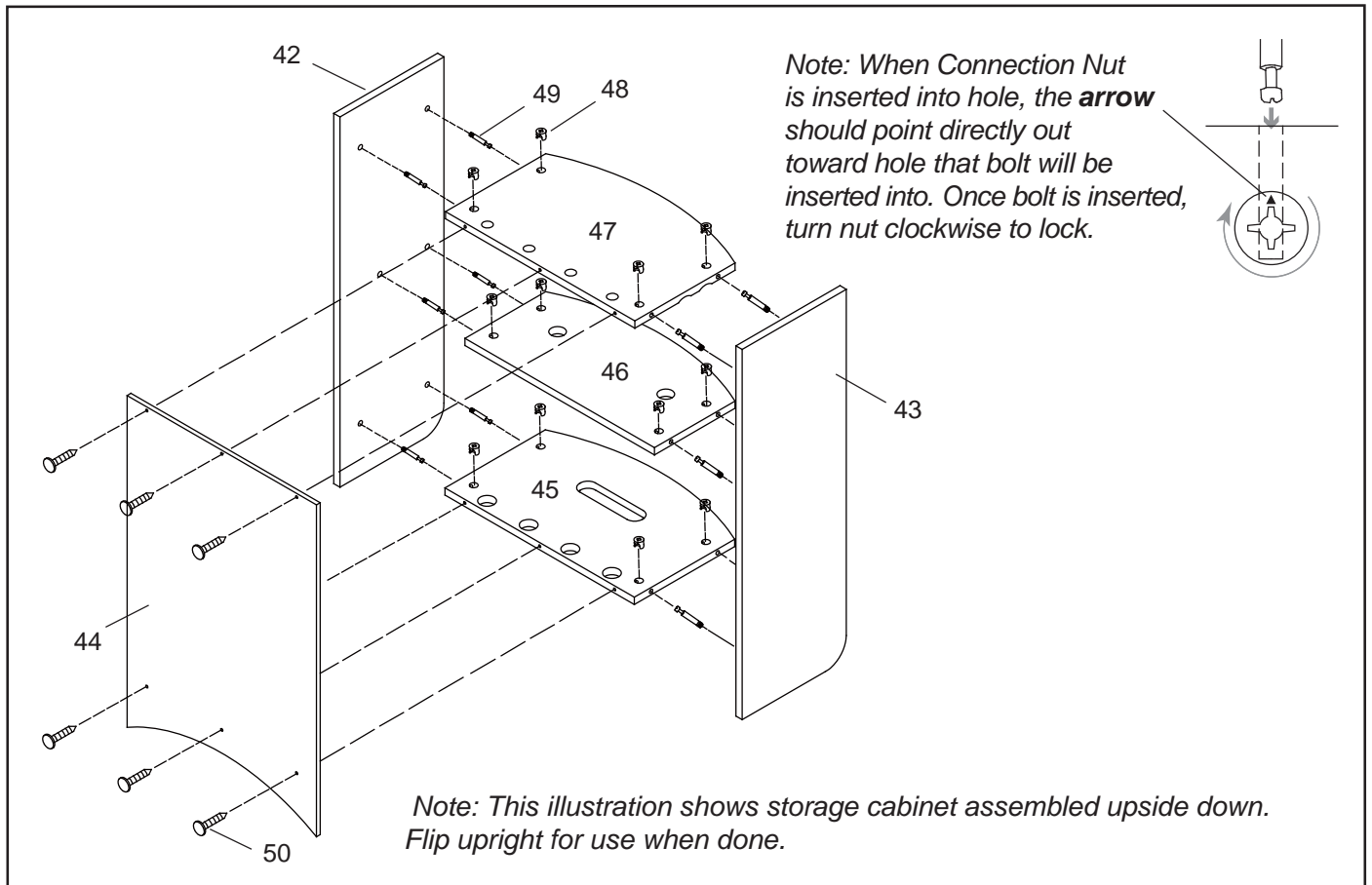
Keep hands away
from swinging table

! CAUTION / ATTENTION

Ensure lock bolt is properly secured
before each use



ASSEMBLY INSTRUCTIONS (CONT.)





T&R Sports Online Instructions

Dear Customer,

Thank you for shopping with us.

We've tried our best to state all steps clearly, but please understand that we couldn't draw all the details completely due to the complexity of some steps. So we highly recommend you find and watch the video instruction on the home page of the following websites. If you still have problem with installation, please feel free to contact us.

Yours sincerely,

Customer Service Team
T&R Sports



www.trsports.com.au
www.sportsleisure.com.au



1300 655 308
customerservice@trsports.com.au

FIND US NO MATTER WHEN. NO MATTER HOW.

[SYDNEY]

1c/149 McCredie Road,
Smithfield, NSW 2164
(02) 6188 8066 / 0430 165 265
[Mon.-Fri.]: 9:00-17:00
[Sat.-Sun.]: 10:00-16:00
[Public Holiday]: 10:00-16:00

[MELBOURNE]

1 Jacksons Road,
Mulgrave, VIC 3170
(03) 4060 9020 / 0402 517 151
[Mon.-Fri.]: 9:00-17:00
[Sat.-Sun.]: 10:00-16:00
[Public Holiday]: 10:00-16:00

[BRISBANE]

55 Gardens Drive,
Willawong, QLD 4110
(07) 3060 8360 / 0423 258 322
[Mon.-Fri.]: 9:00-17:00
[Sat.-Sun.]: 10:00-16:00
[Public Holiday]: 10:00-16:00

ABN: 59 141 443 898

PH:1300 655 308

EMAIL:customerservice@trsports.com.au