

*creative technology shape trive*

## Dirctory

Guides and Cautions -----

Parts list -----

Assembly instructions-----

Operating instructions-----

Technical parameters-----

Maintenance Guide -----

After-sales service-----

## Cautions

### Warning

Before using F-1 electric folding bikes, You need have the experience for Ridingtwo-wheelers riding techniques , children and old people are forbidden to use this product.



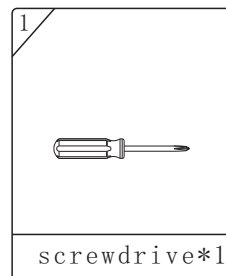
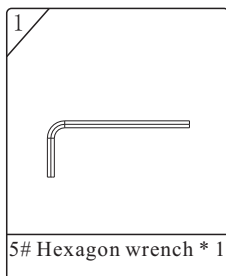
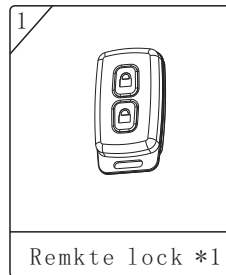
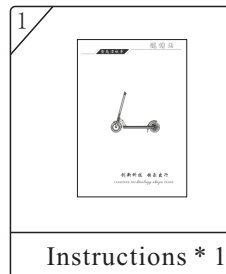
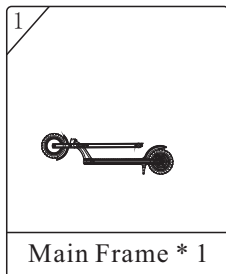
Complete folding installed to use

### Aattentios

1. High speed is prohibited when going downhill, using the rear brake for an Emergency condition ,Avoid center of gravity forward which will caused injured for user
2. For one person use and Capacity is 45KG
3. Ban on rainy day ride, Ban riding in deep water.
4. Please use this product dedicated charger
5. Prohibit unauthorized disassembly

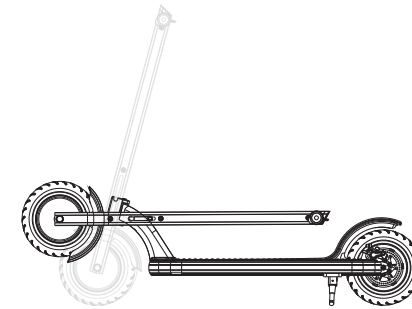
## Parts list

The below is all parts and components, check out the corresponding parts when opening the product.

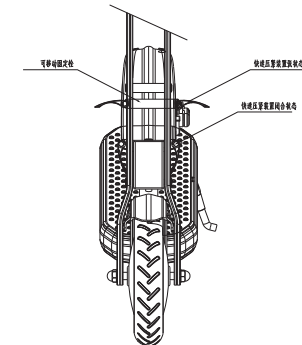


## Assembly instructions

### Step 1 Products unfolds and folds

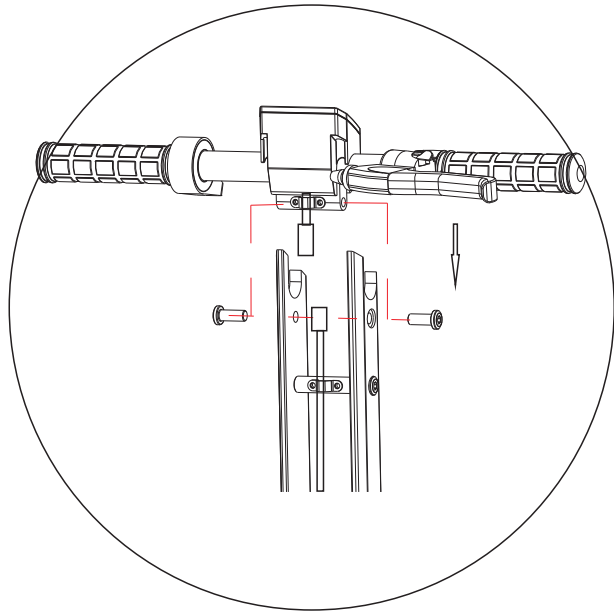


When the rapid pressing device is open, the positioning shaft can move freely and when the mouth is pulled up. The vertical position is in a free folding state, and the product starts to unfold normally when the mouth is pulled down.



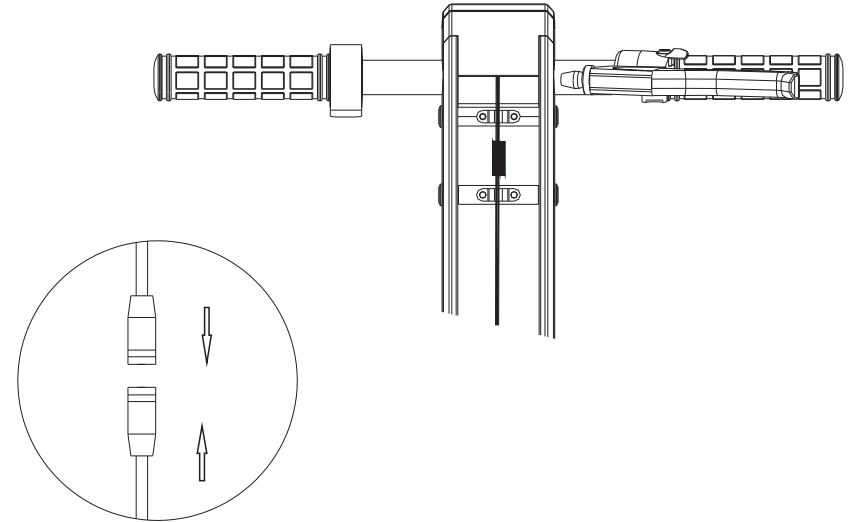
**Note: Remember that the compaction device is closed when the product is deployed**

## Step 2 Installation of handlebars



As shown : mount the instrument assembly on the handle and screw it tight

## Step 3 Connection of communication lines



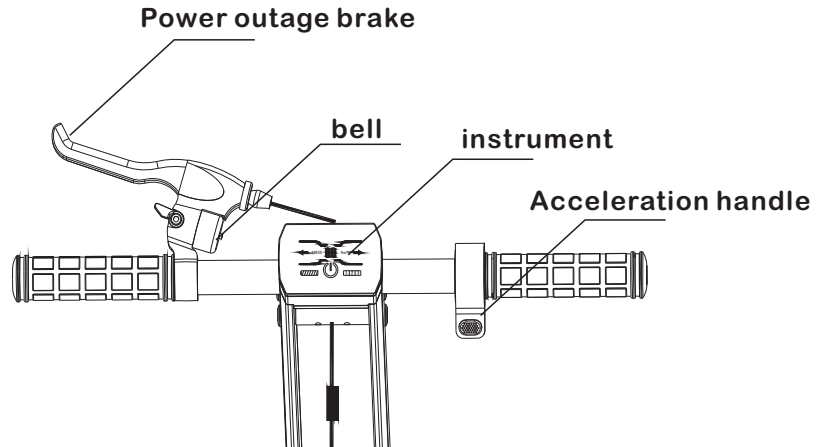
As shown: Connect instrument communication lines

## Step 4 Installation check

Examine the tire pressure is sufficient (general front 2.0 back 2.2)  
The factory to protect the tire pressure is not enough, examine that the brakes are available

## Operating instructions

### 1. Product function as shown below

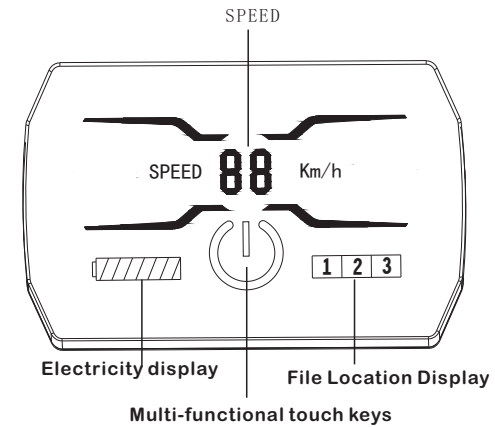


### 2. Function details :

- 2.1 When pressing the power off brake, cut off the power supply, the rear disc brake holding brake function is effective
- 2.2. Press the bell, handle the bell.
- 2.3. In the state of electrification, turn the accelerator handle counterclockwise and the car starts. The bigger the angle, the faster.

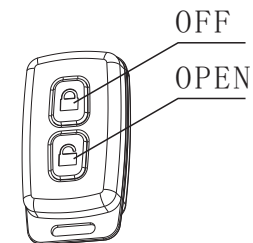
Warm tip: Please speed up slowly when starting

### 2. 4. Display screen: Turn on, Display screen, function as shown below:



- A): File position highlight refers to the file position at the time
- B): When the instrument is dormant, the button displays red light, and the screen activates the display.
- C): Key function
  1. Click to change gear(loop)
  2. Press twice to light the headlights and taillights
  3. The car automatically enters hibernation after resting for 5 minutes

### 2. 4. Use of remote locks



## Technical Parameters

Name	Parameters
Folding size	1250*450*320
Unfold size	1110X450X1125
Max load	120KG
N.W.	13.5-16.8KG
Motor power	250-350W
Range per Power	25-50KM/h
Battery capacity	8-15AH
Voltage	36V
Charging time	3-5H
Brake way	Front and rear all disc brake
Stopping distance	2m/dry ground;3m/wet ground
Max speed	25km/h

## Repair and maintenance

Maintenance determines the service life, you need to understand the following common sense

- 1) Check the tire pressure before using , Standard pressure 280Kpa
- 2) Fully charged without working, make sure charge and discharge a power every 2 months
- 3) fulfill the powder after riding
- 4) Do not use high-pressure water gun cleaning, to avoid damage of the internal n electronic components.

### Regular maintenance

1. Check the screw
2. Check the tire
3. Check the brake

## After-sales service

Parts name	Warranty	Content
Main motor	1 years	
Battery	1 years	Battery capacity is greater than the original 60%
Bodywork	3 years	Non-artificial damage
Front wheel shaft	3 years	Non-artificial damage
Electronic control	1 years	
Display screen	1 years	

### Warranty card

Customer address:	
Customer name	Contact
Date of purchase	Inspection number
Dealer	Sales staff