

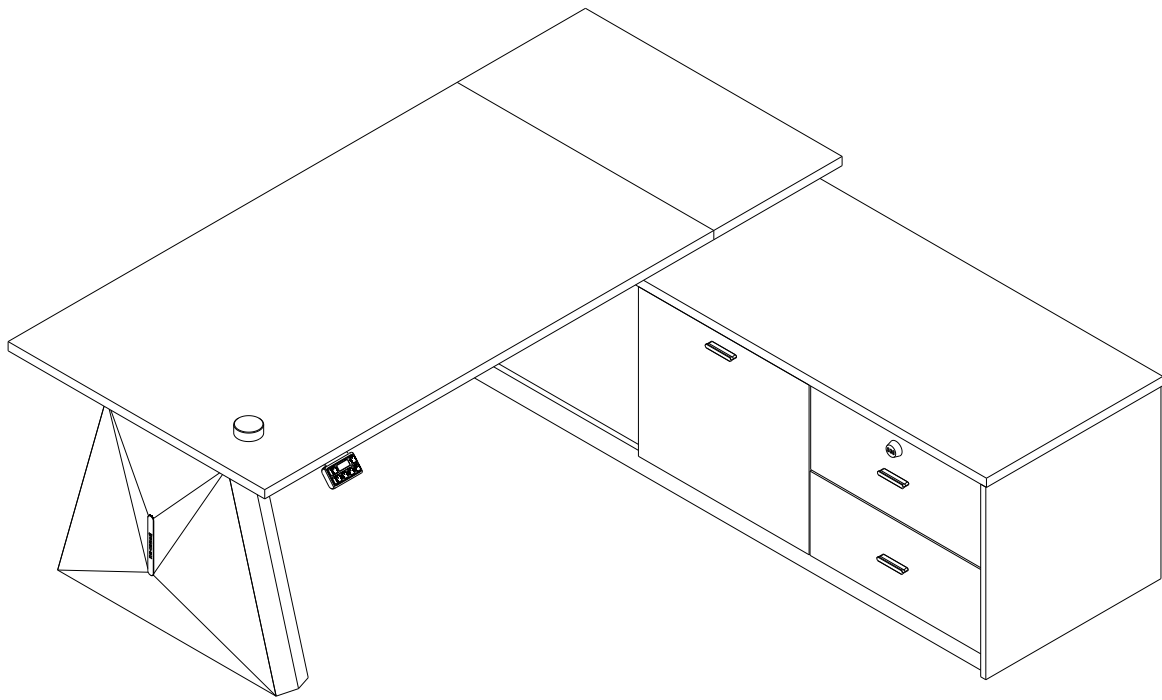


- | | | | | | | | | |
|-----------|---|-----------------------|----------|---|---------------------|----------|---|--------------|
| M | — | Memory storage key | ^ | — | Up adjustment key | 1 | — | Memory 1 key |
| 00 | — | Height display screen | v | — | Down adjustment key | 2 | — | Memory 2 key |

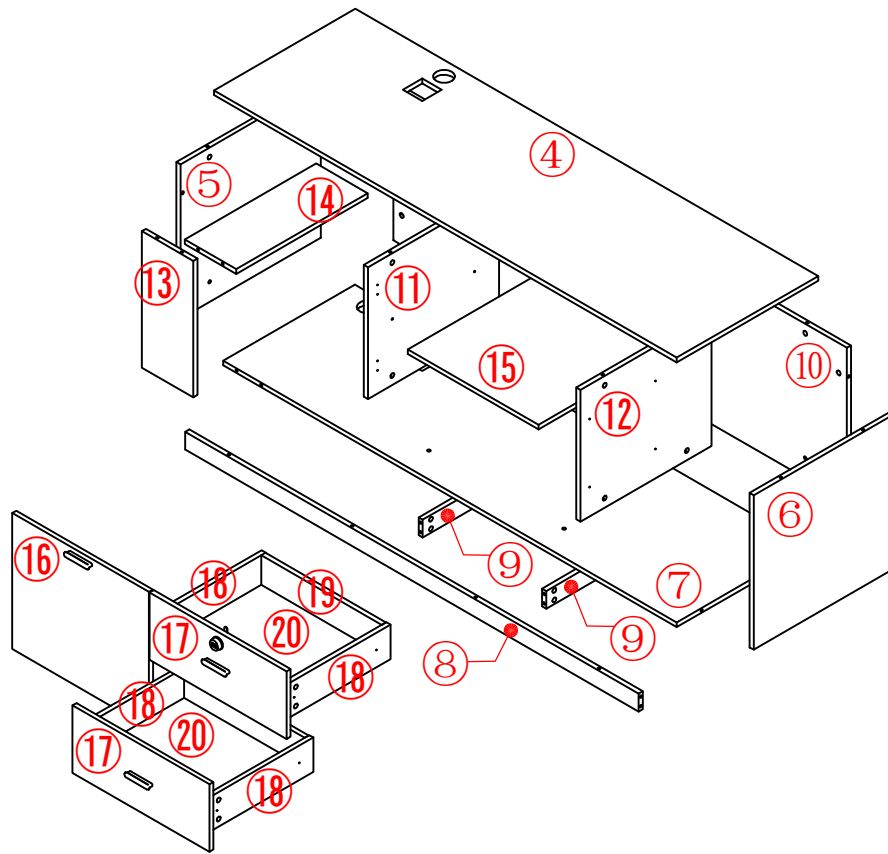
Memory 2 key

Installation Instructions

L-SHAPE Height adjus table electric table



Parts and Components



④ 1 PCS	⑤ 1 PCS	⑥ 1 PCS	⑦ 1 PCS	⑧ 1 PCS	⑨ 2 PCS
⑩ 1 PCS	⑪ 1 PCS	⑫ 1 PCS	⑬ 1 PCS	⑭ 1 PCS	⑮ 1 PCS
⑯ 1 PCS	⑰ 2 PCS	⑱ 4 PCS	⑲ 2 PCS	⑳ 2 PCS	

Parts and Components

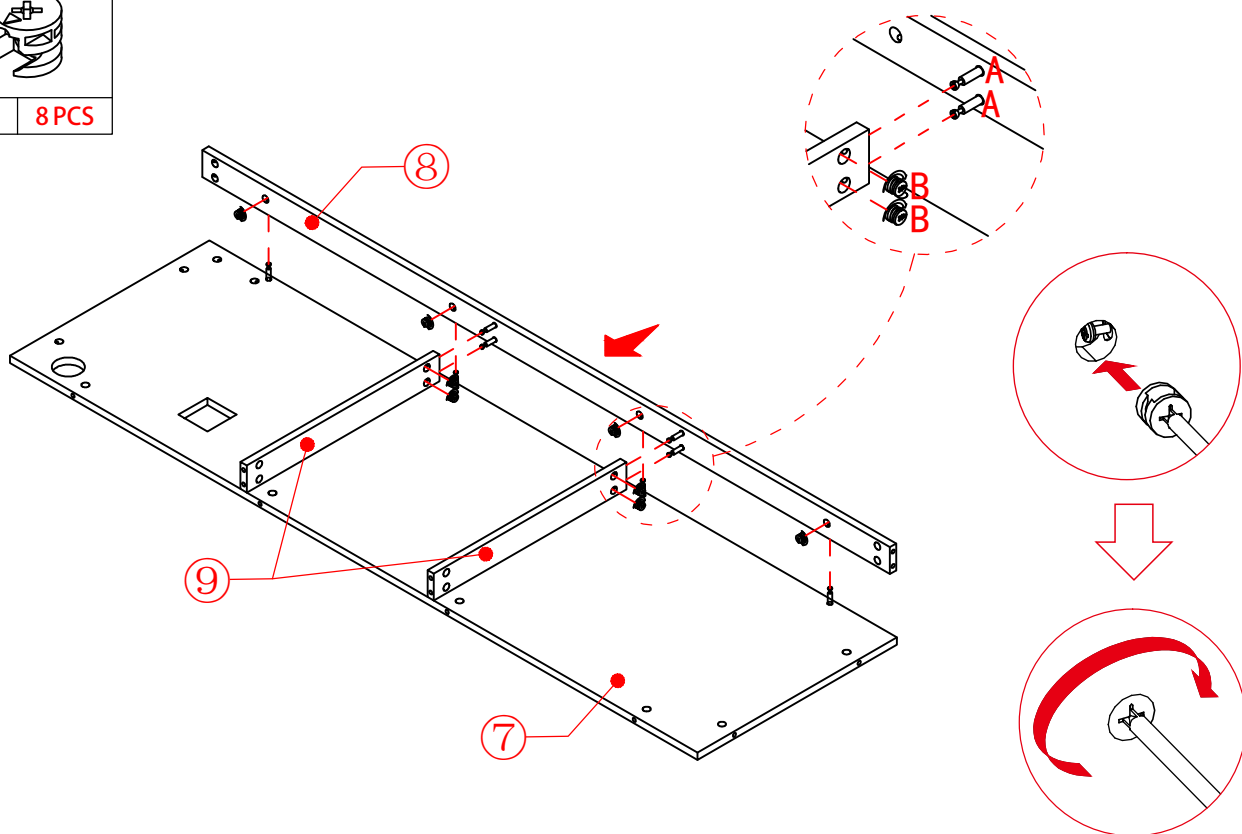
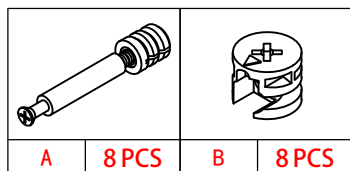
	① 1 PCS	② 1 PCS	③ 1 PCS
	I 1 PCS	II 2 PCS	III 1 PCS
IV 1 PCS	V 1 PCS	VII 1 PCS	

Screw List

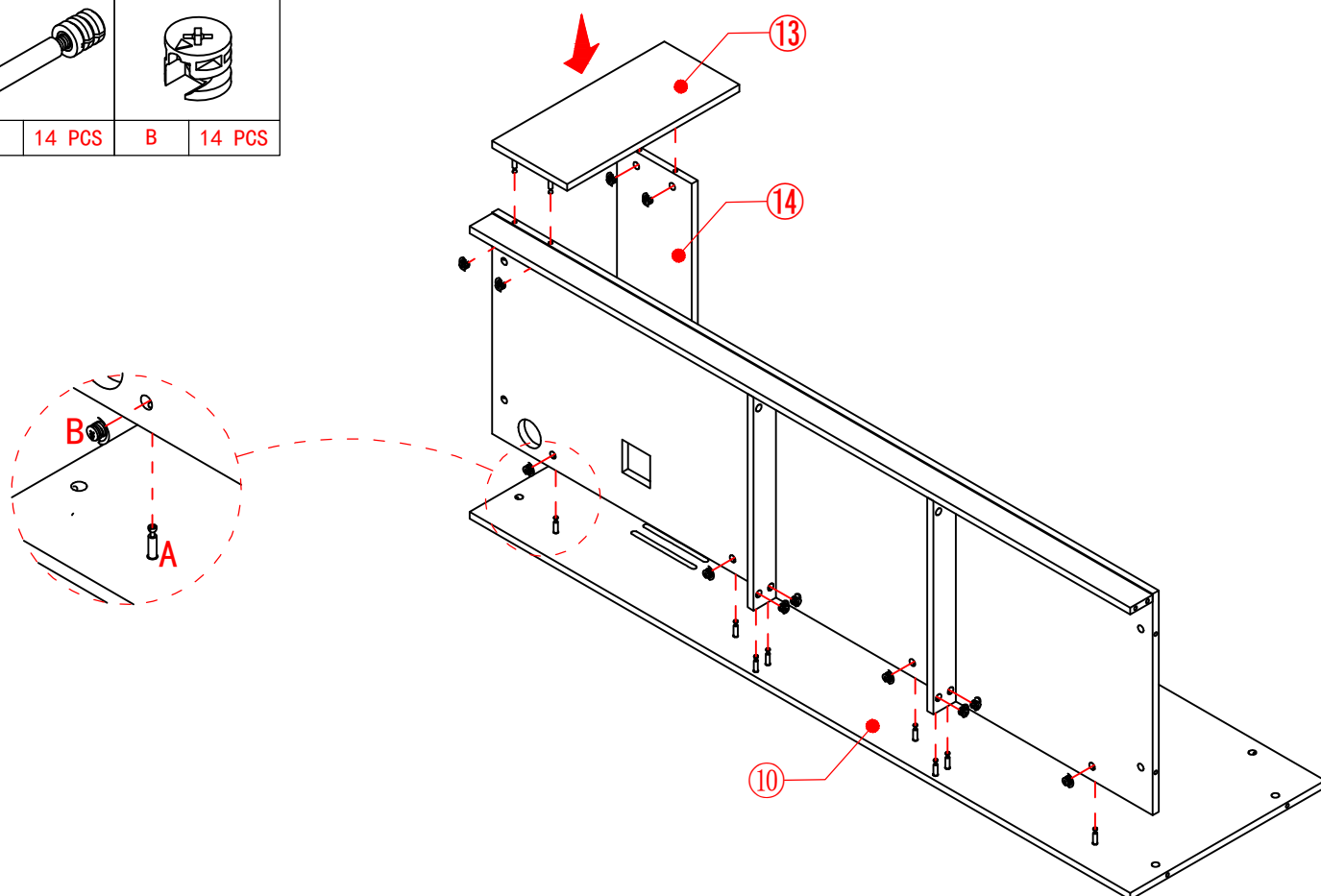
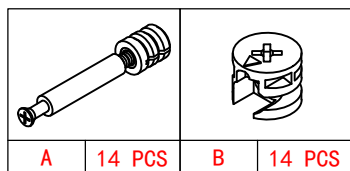
Number	Diagrammatic Sketch	Quantity	Number	Diagrammatic Sketch	Quantity
A		70 PCS	K		2 SETS
B		76 PCS	L		3 PCS
C		3 PCS	M		1 PCS
D		22 PCS	N		2 PCS
E		28 PCS	O		1 PCS
F		2 PCS			
G		14 PCS			
H		2 SETS			
I		4 PCS			
J		2 SETS			

Installation step diagram

STEP 1

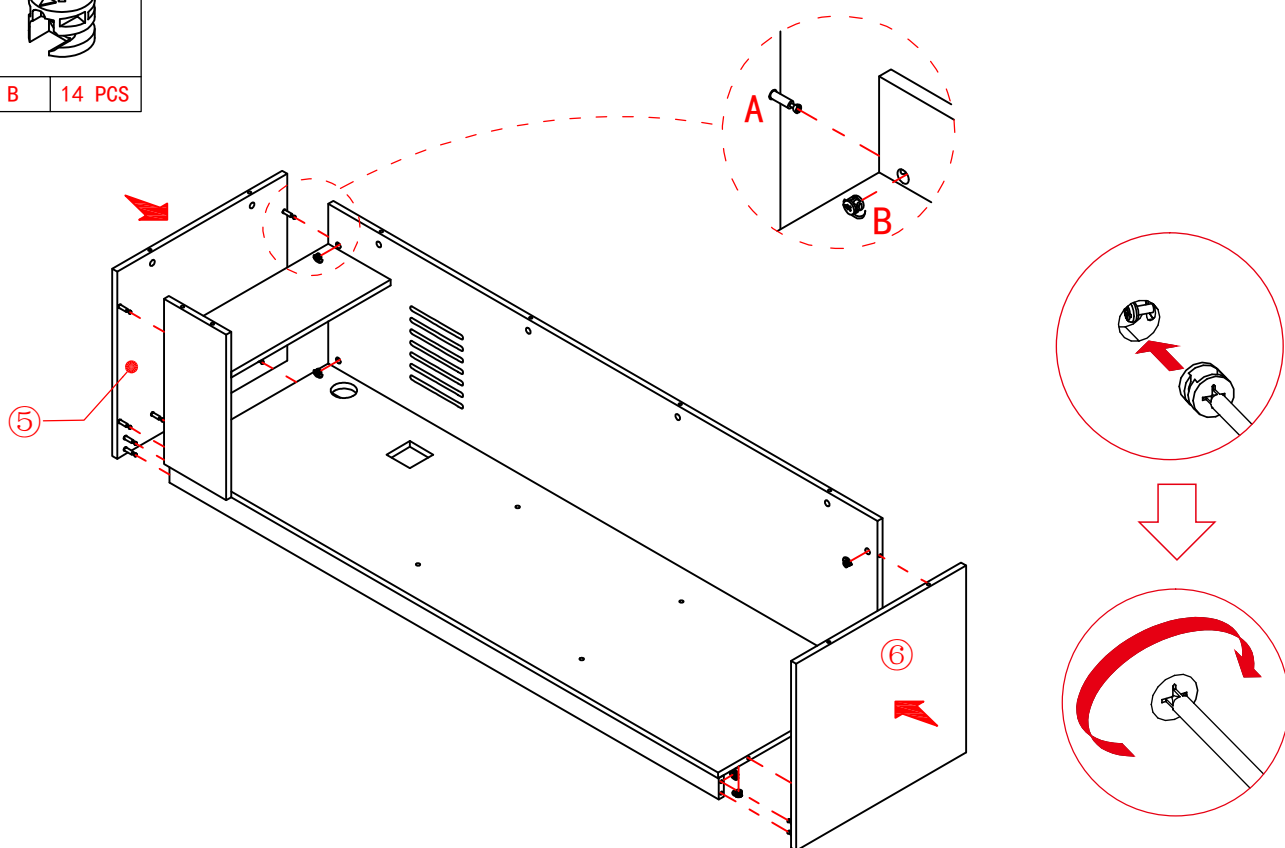
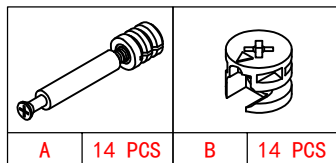


STEP 2

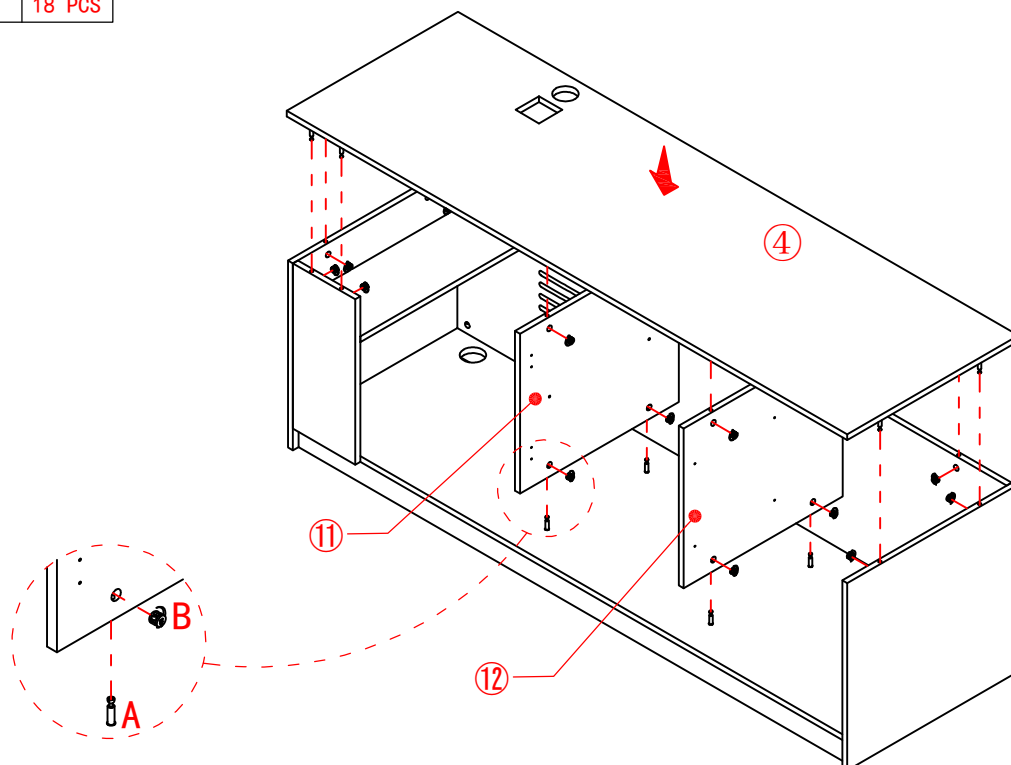
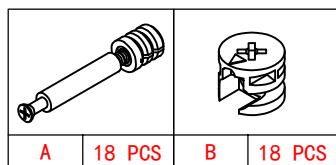


Installation step diagram

STEP 3

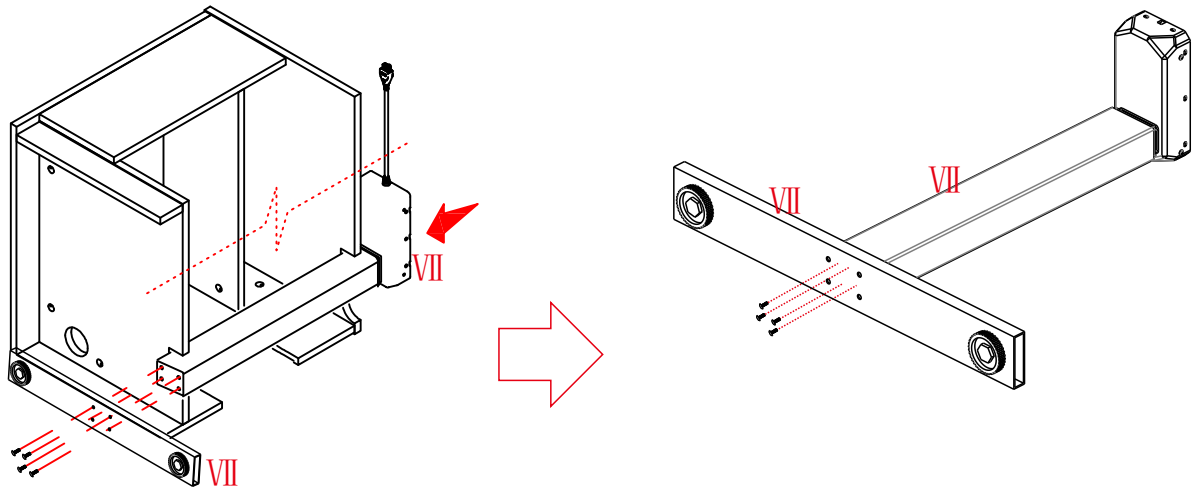


STEP 4

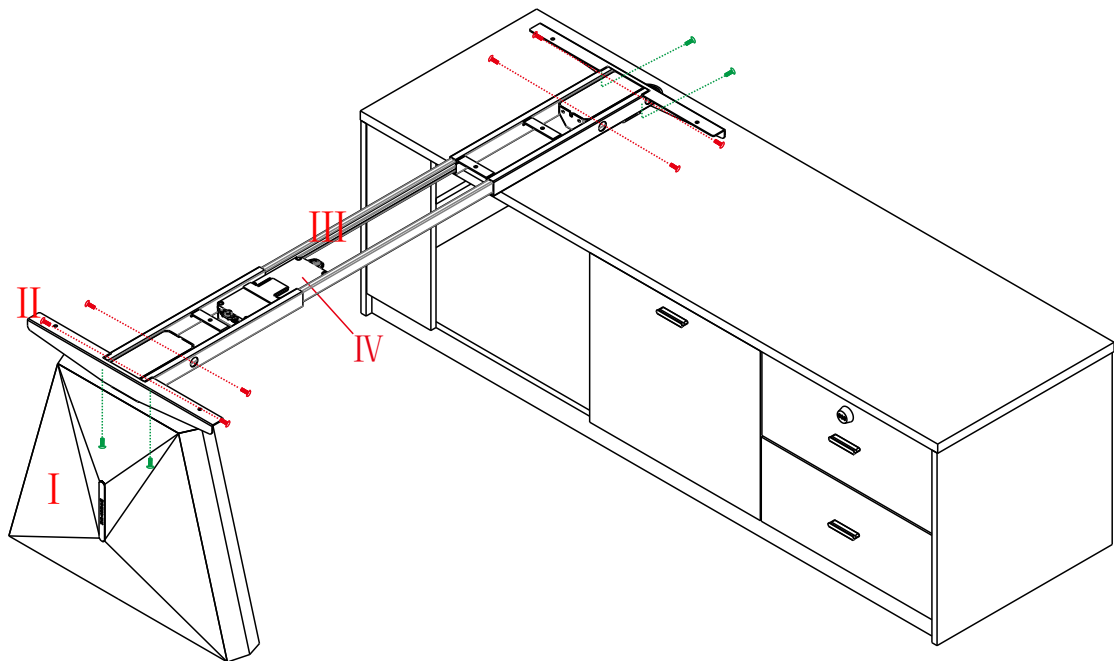


Installation step diagram

STEP 5

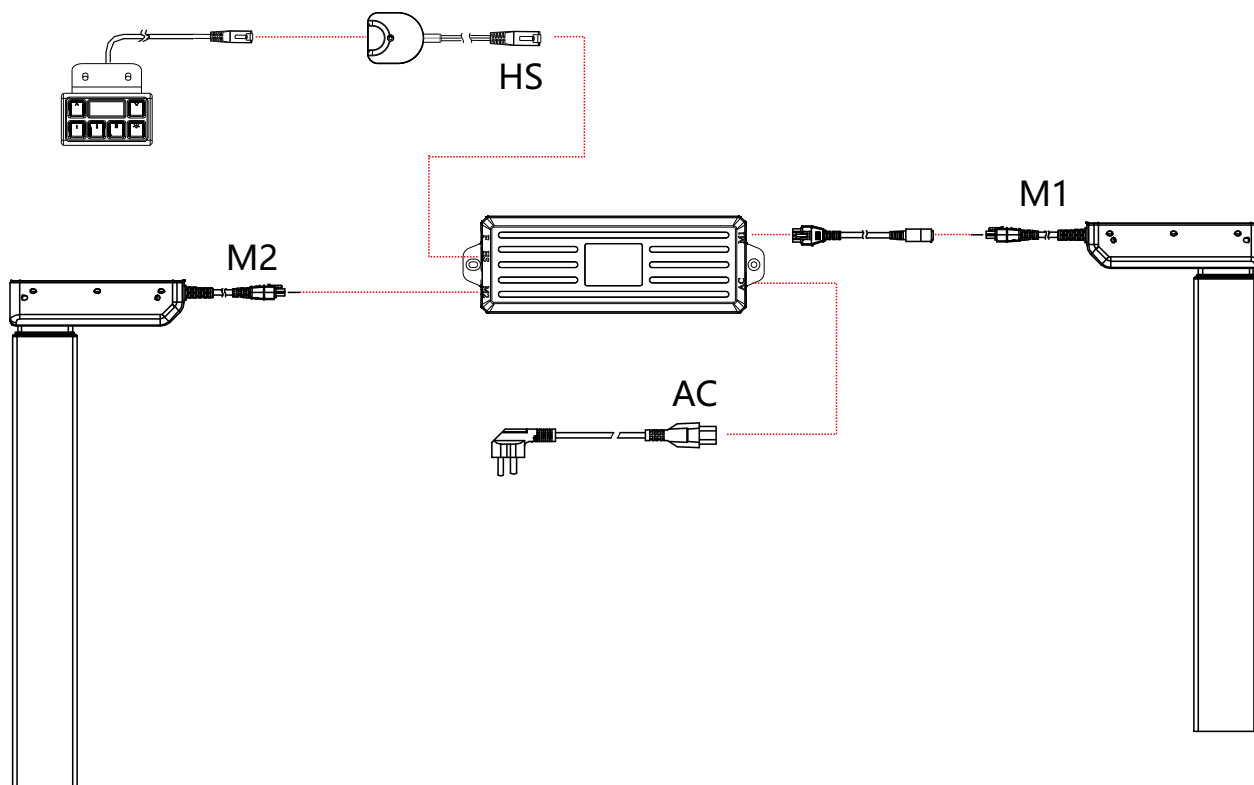


STEP 6



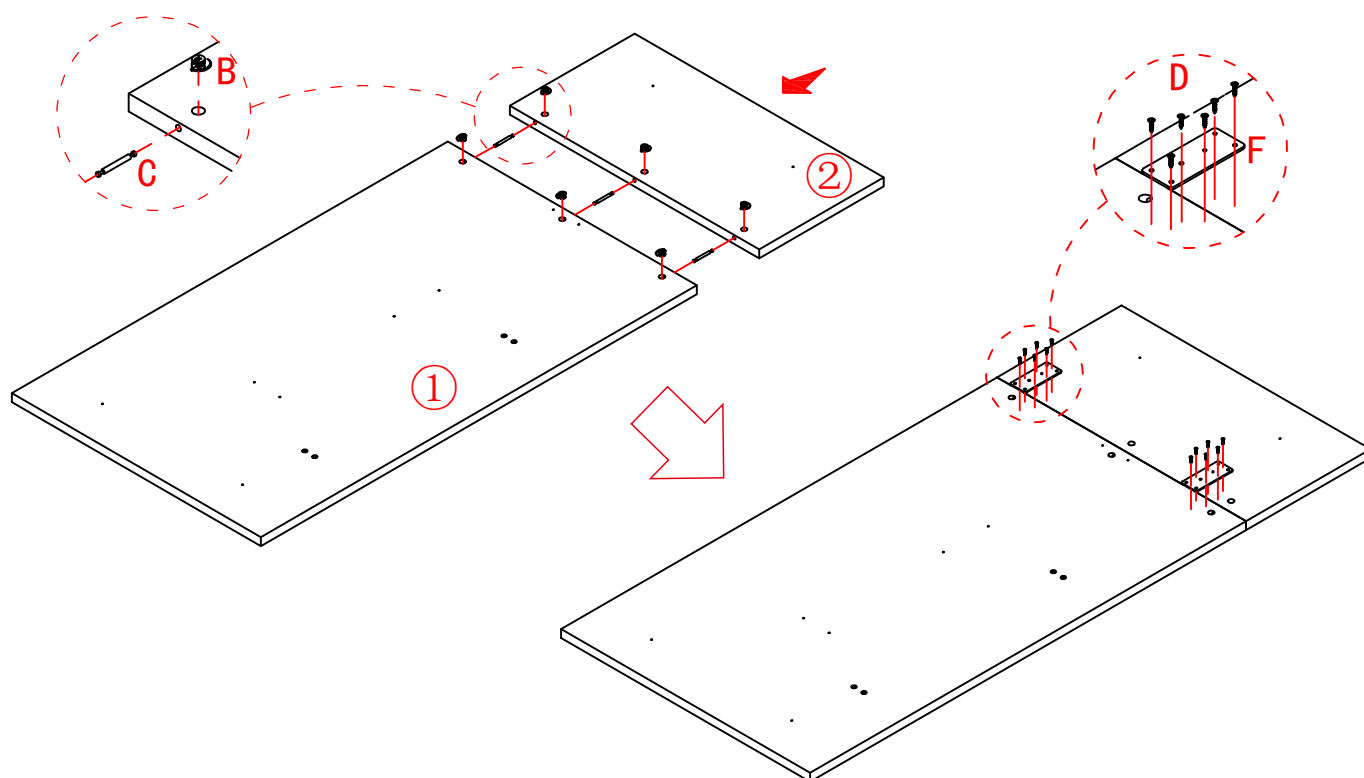
Installation step diagram

STEP 7



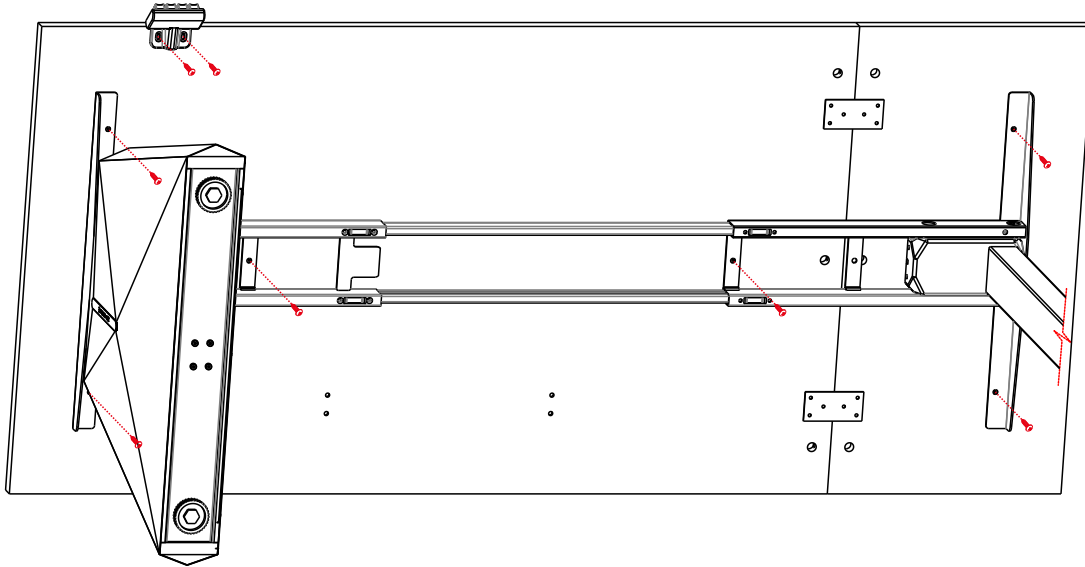
STEP 8

B	6 PCS	C	3 PCS
		D	10 PCS
			F
			2 PCS
			M4*16mm


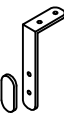


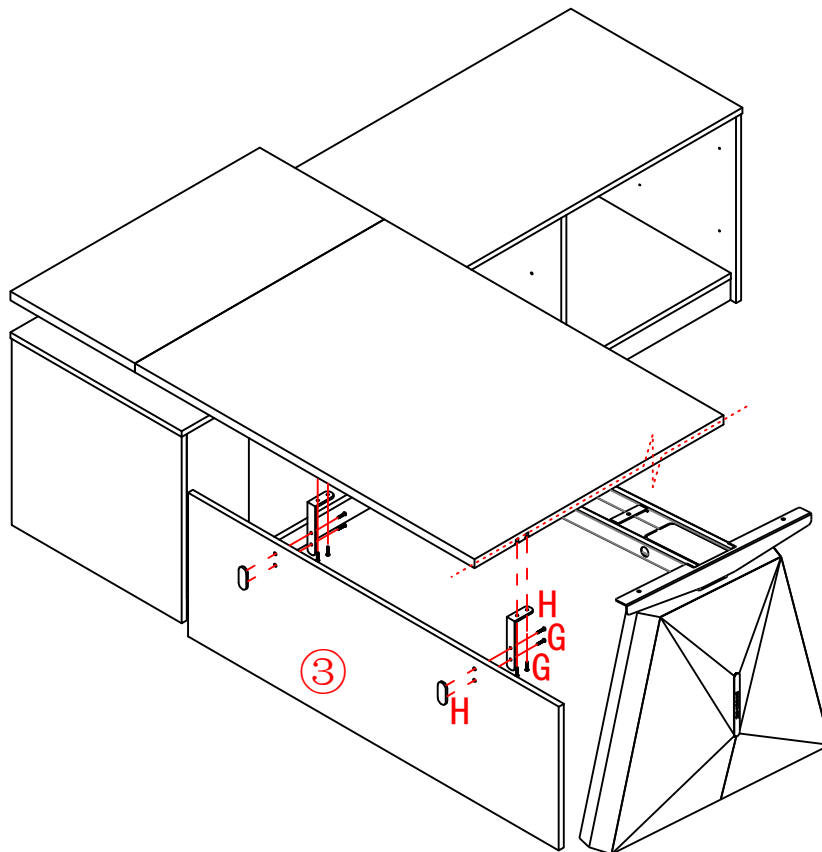
Installation step diagram

STEP 9



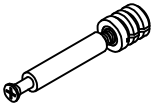




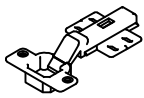
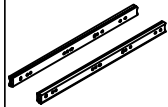
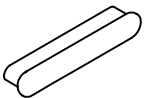

STEP 10

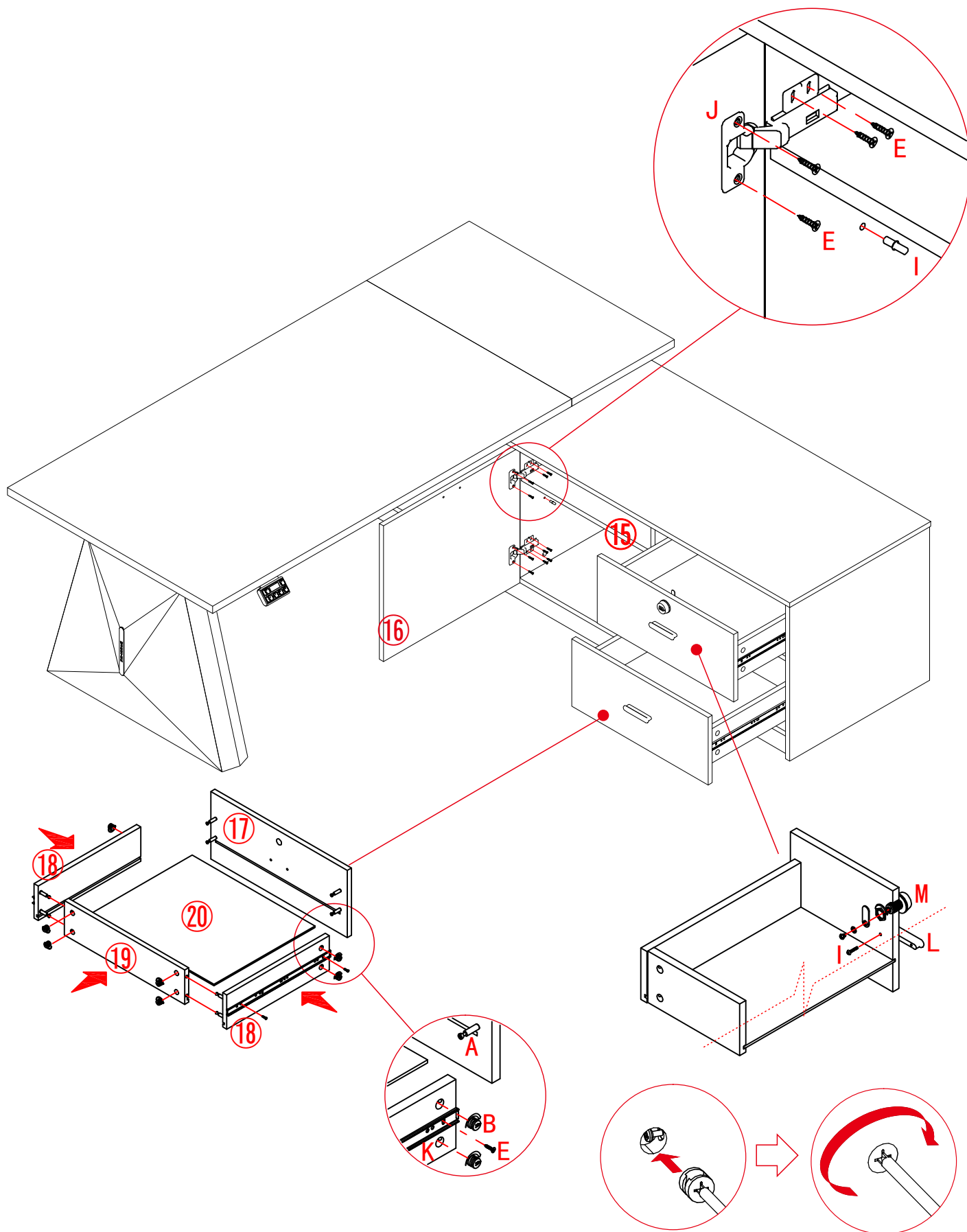
			
M6*20mm			
G	8 PCS	H	2 PCS



Installation step diagram



STEP 11

																	
A	16 PCS	B	16 PCS	E	28 PCS	G	6 PCS	I	4 PCS	J	2 PCS	K	2 SET	L	3 PCS	M	1 PCS



Installation step diagram

STEP 12

			
N	2 PCS	0	1 PCS

