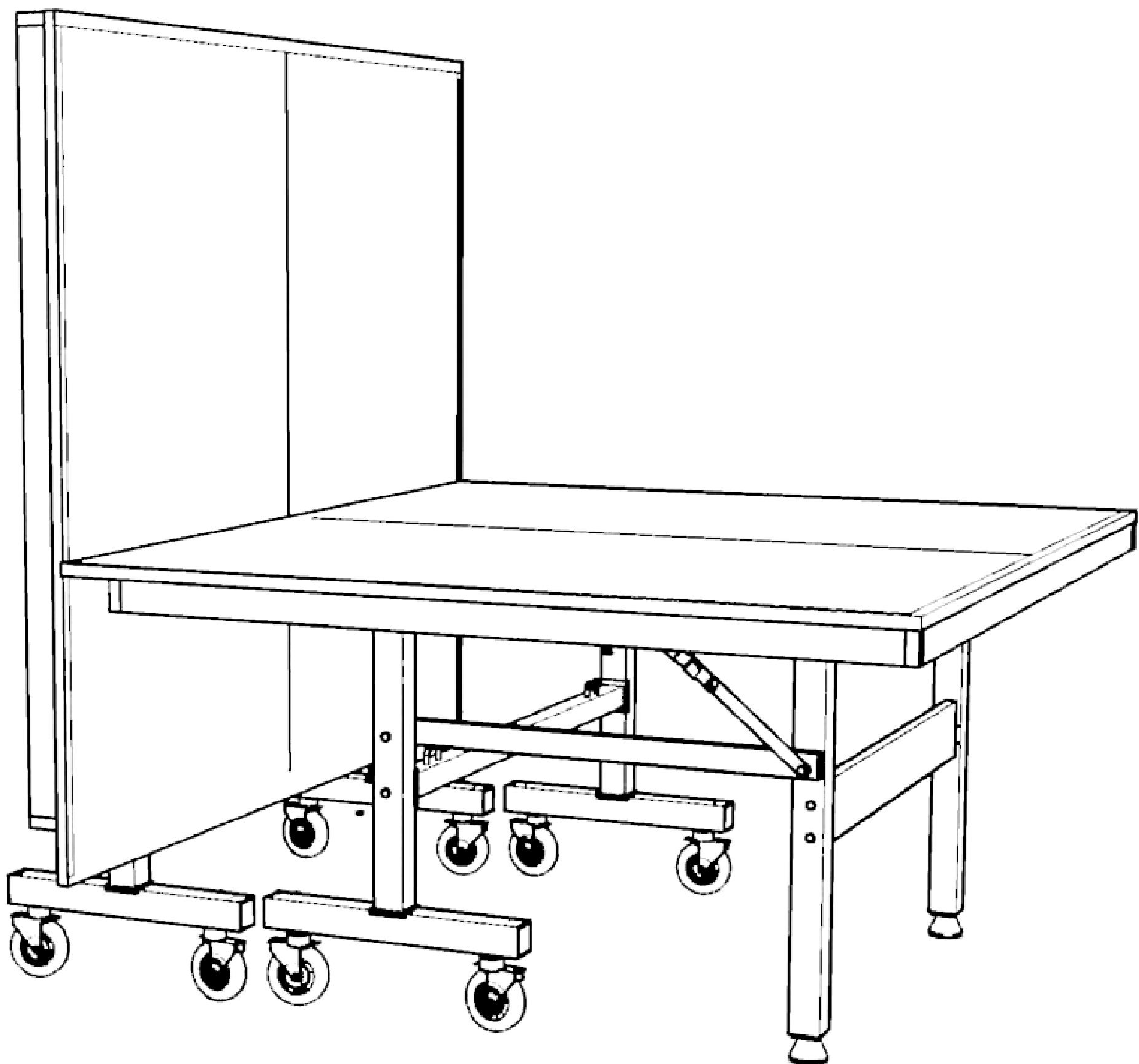
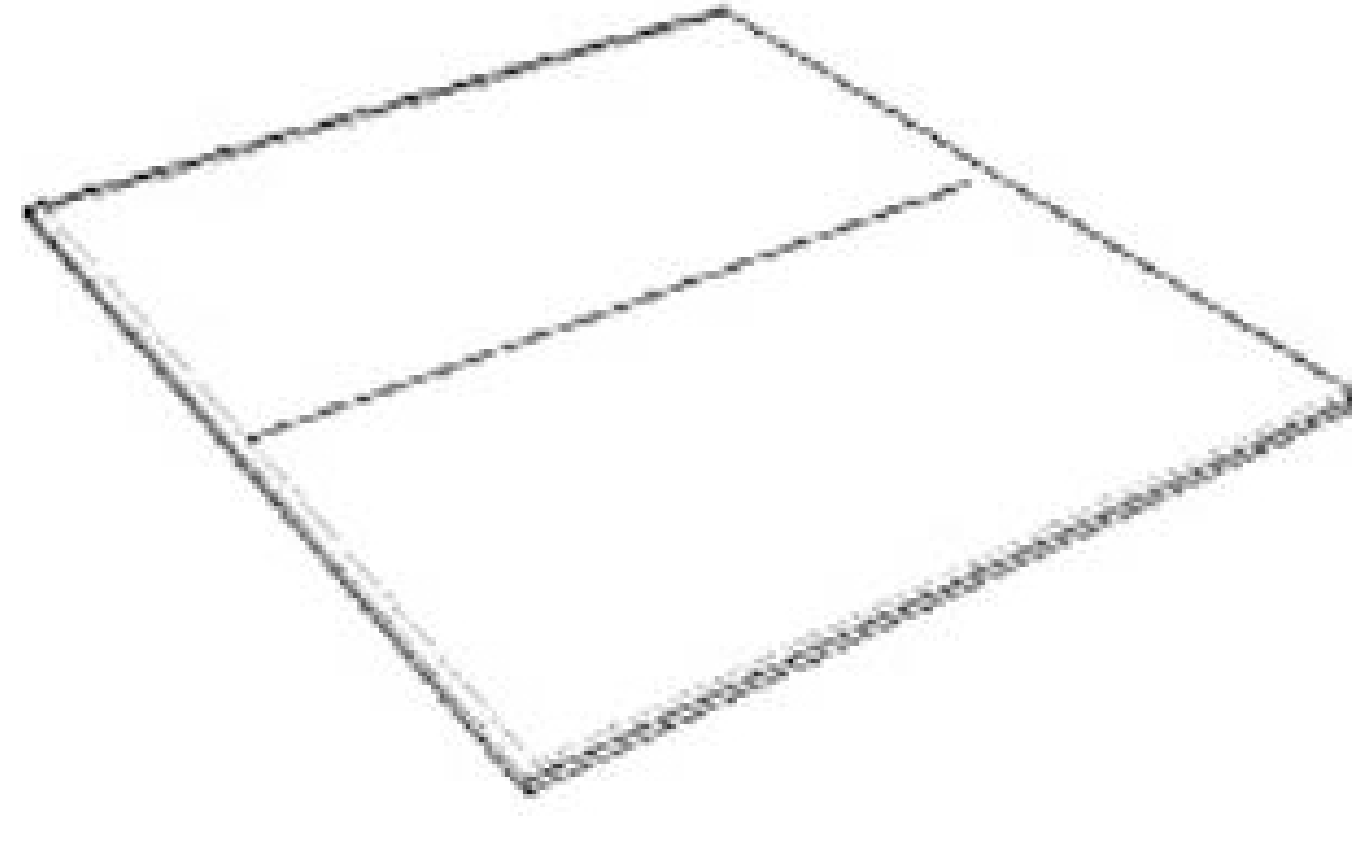
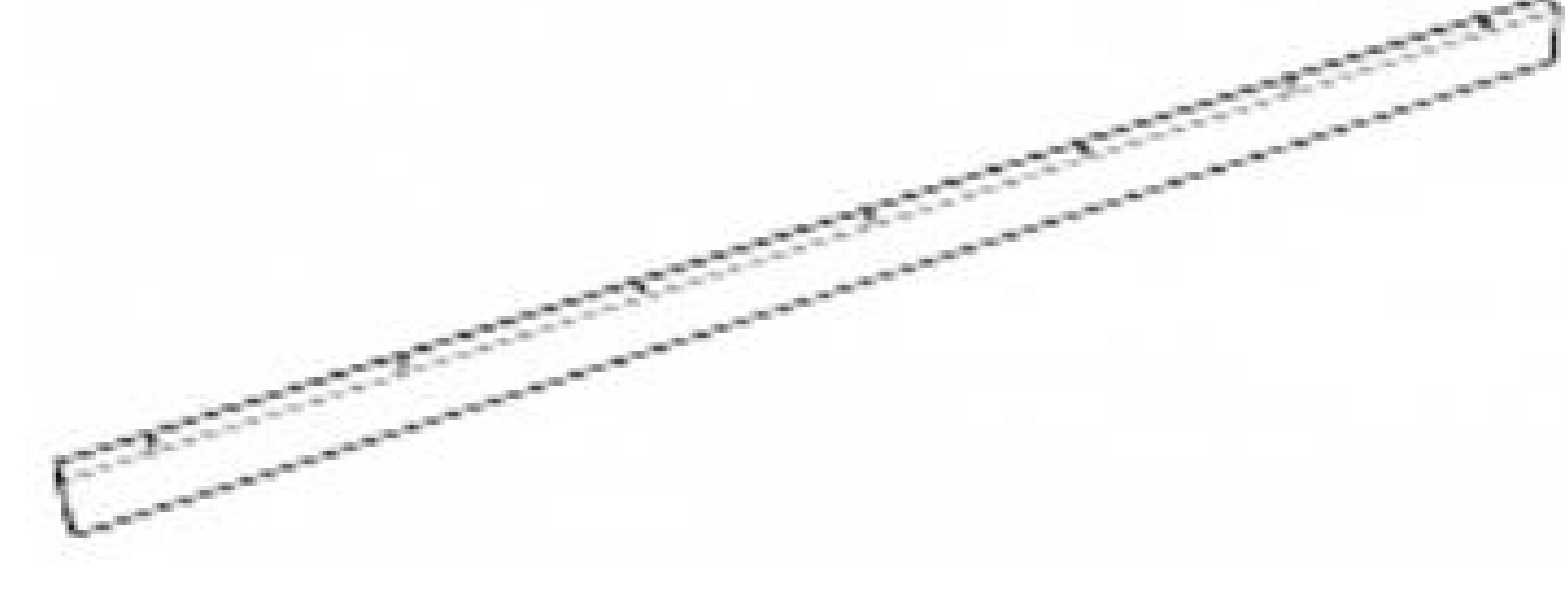
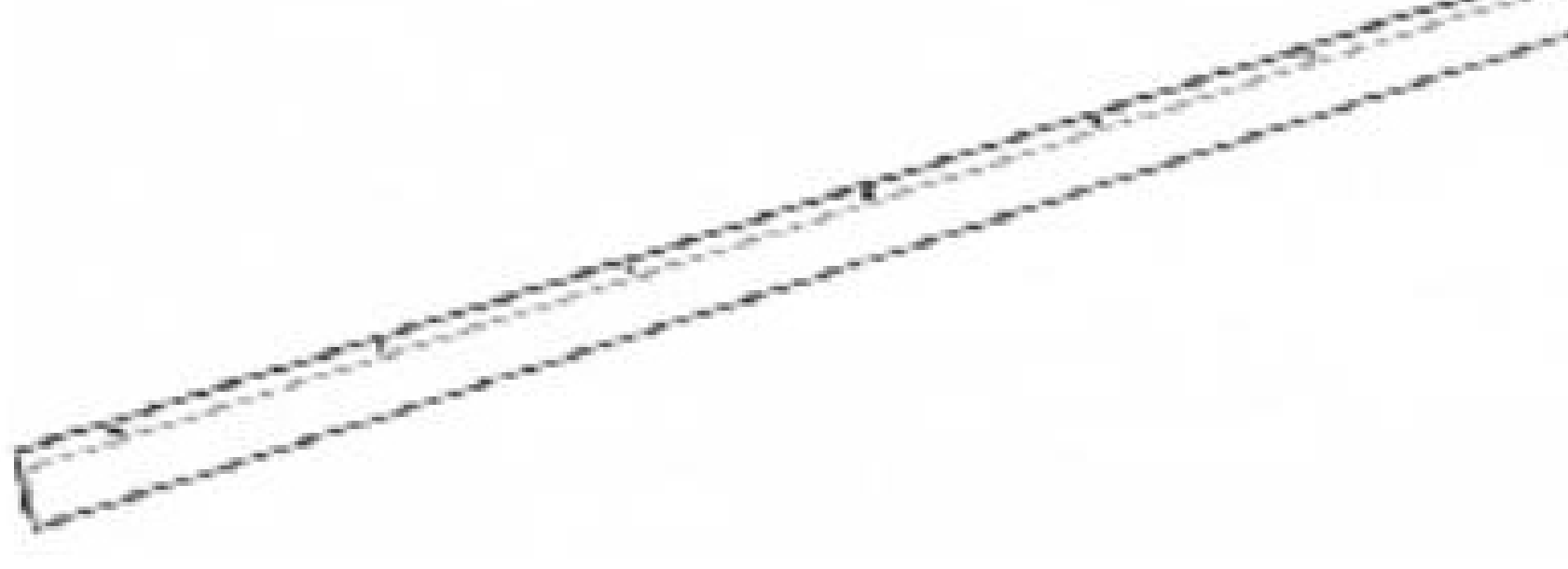

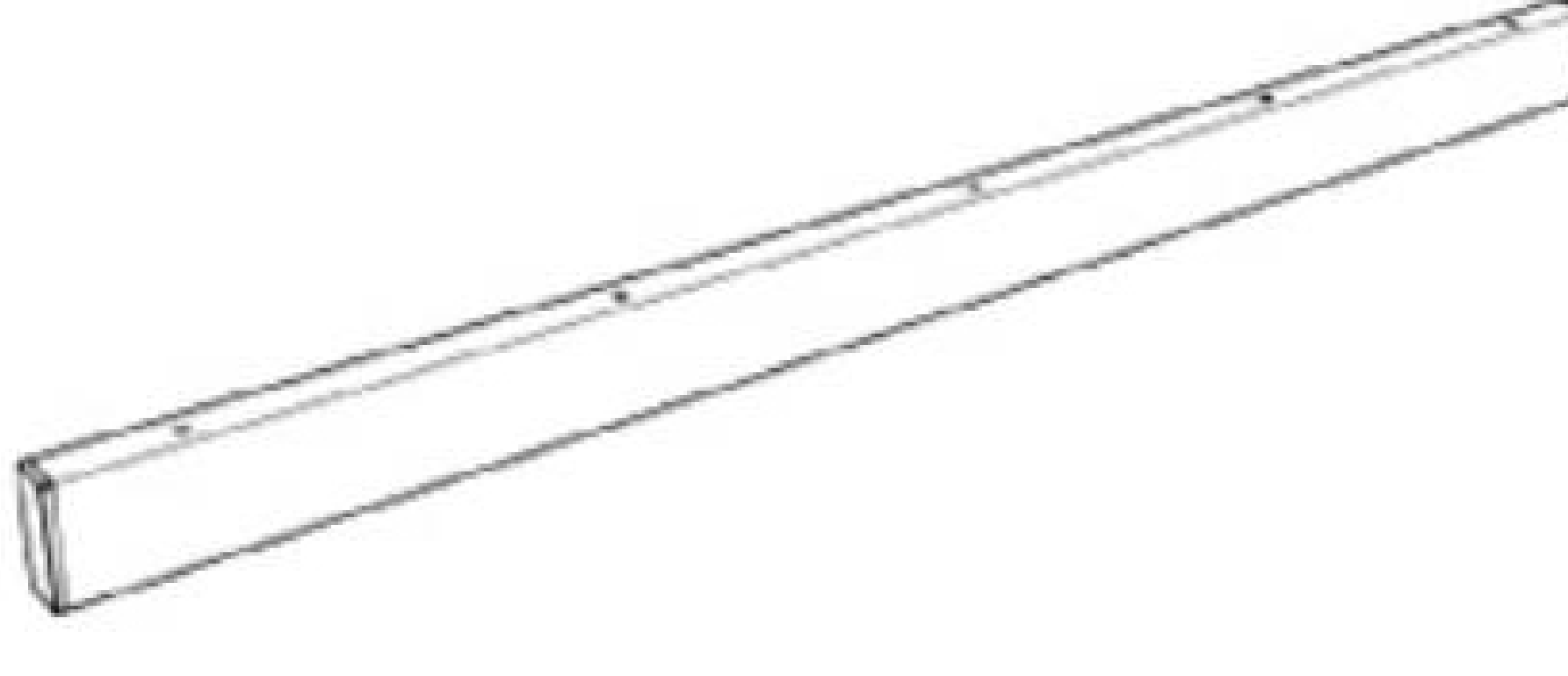
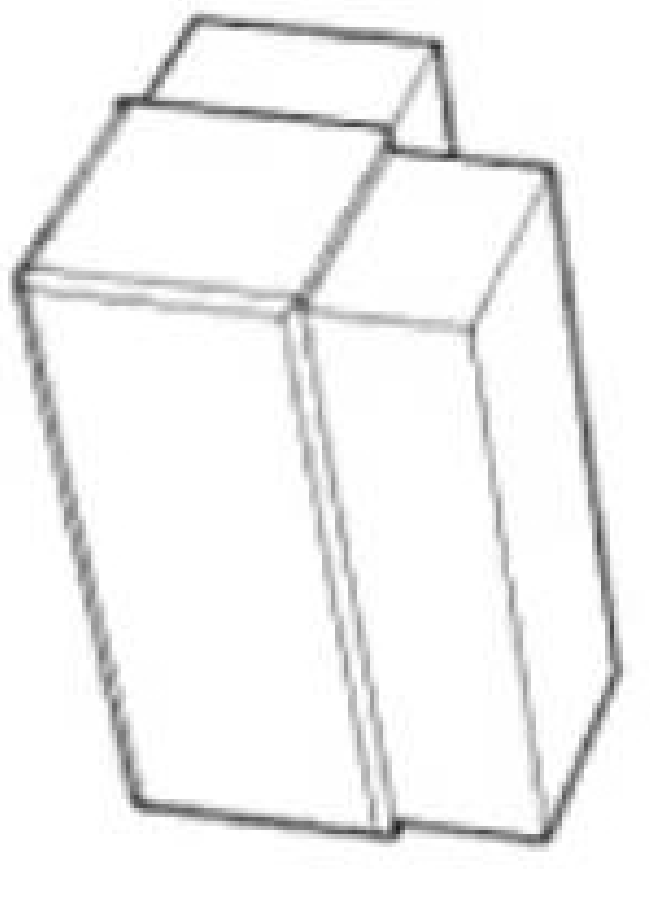
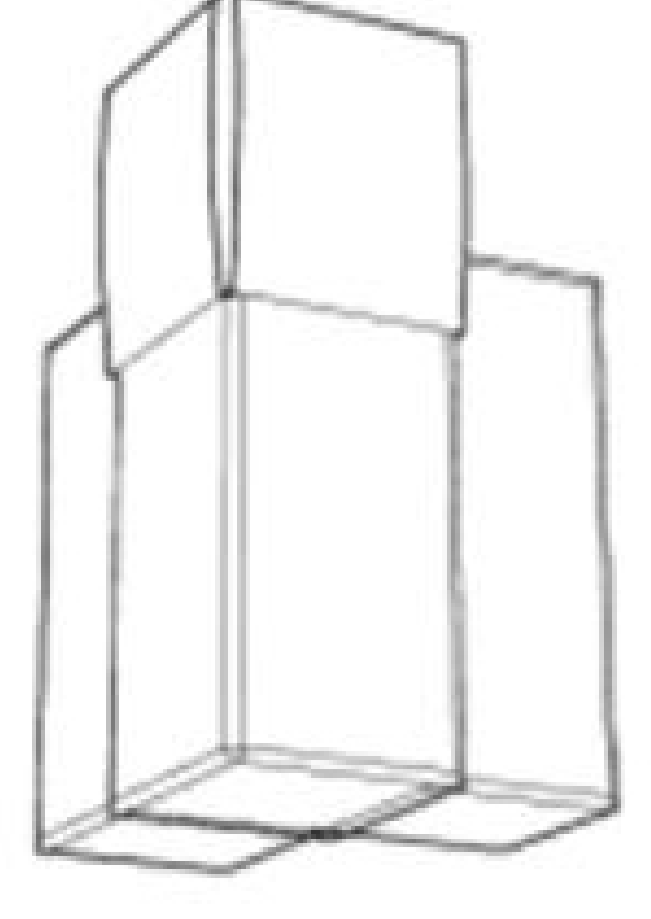

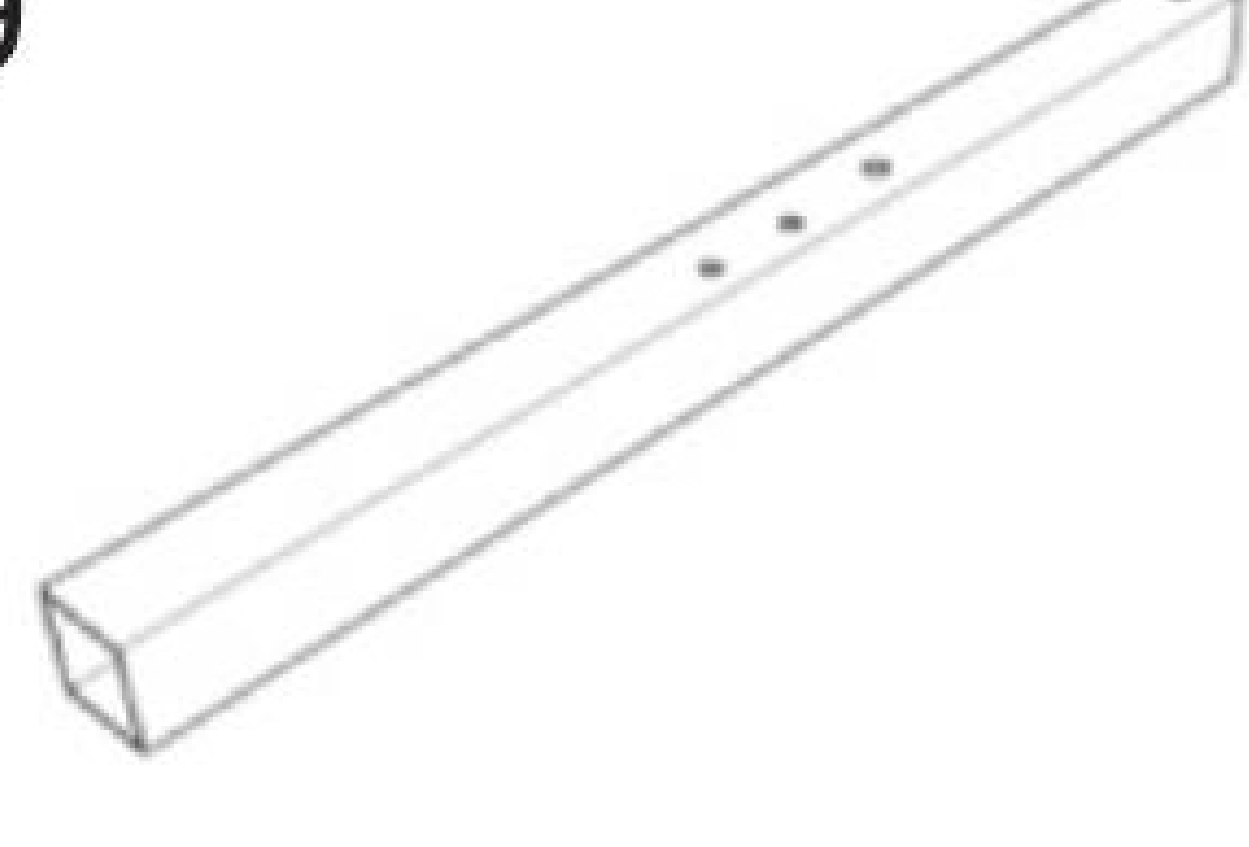
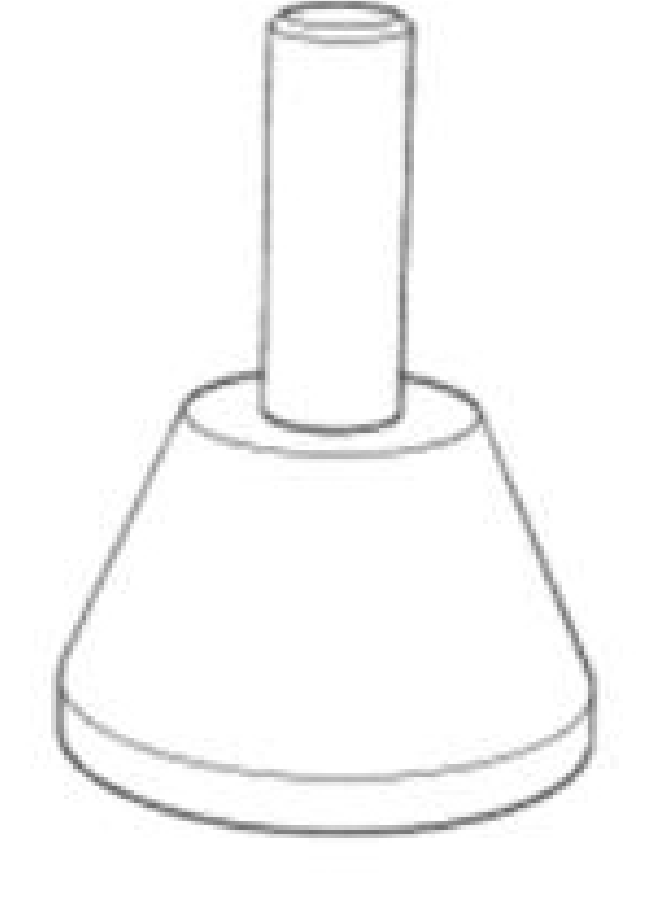
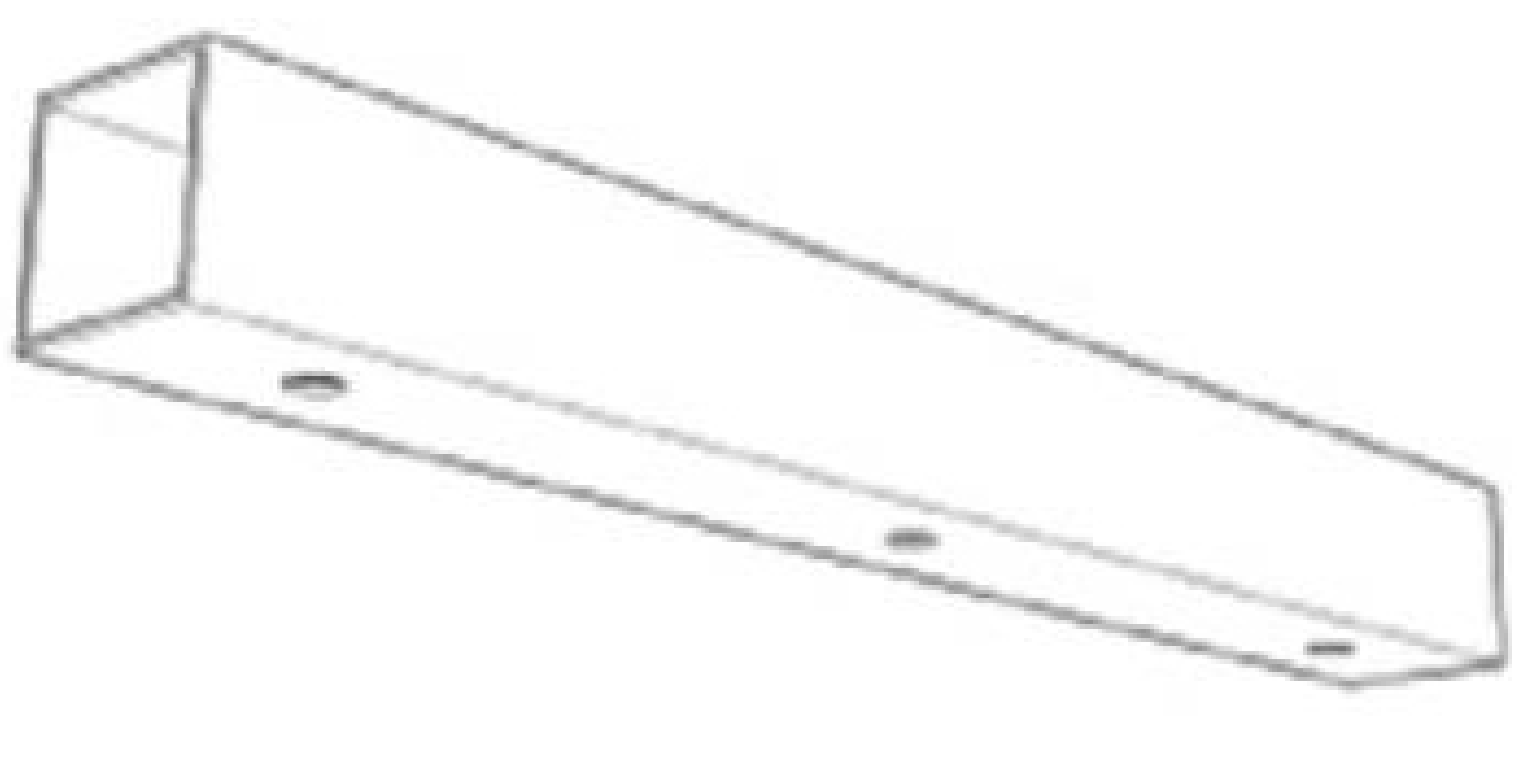
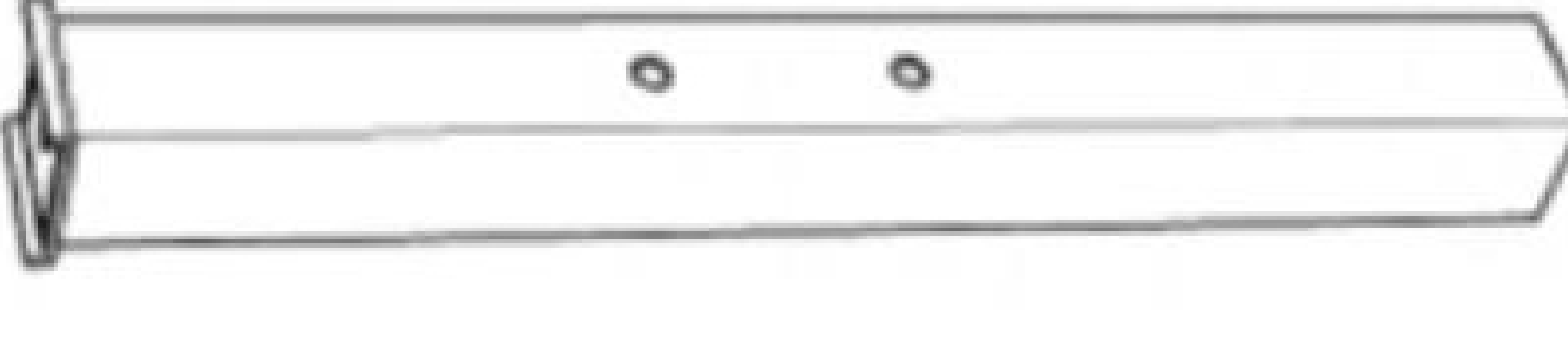
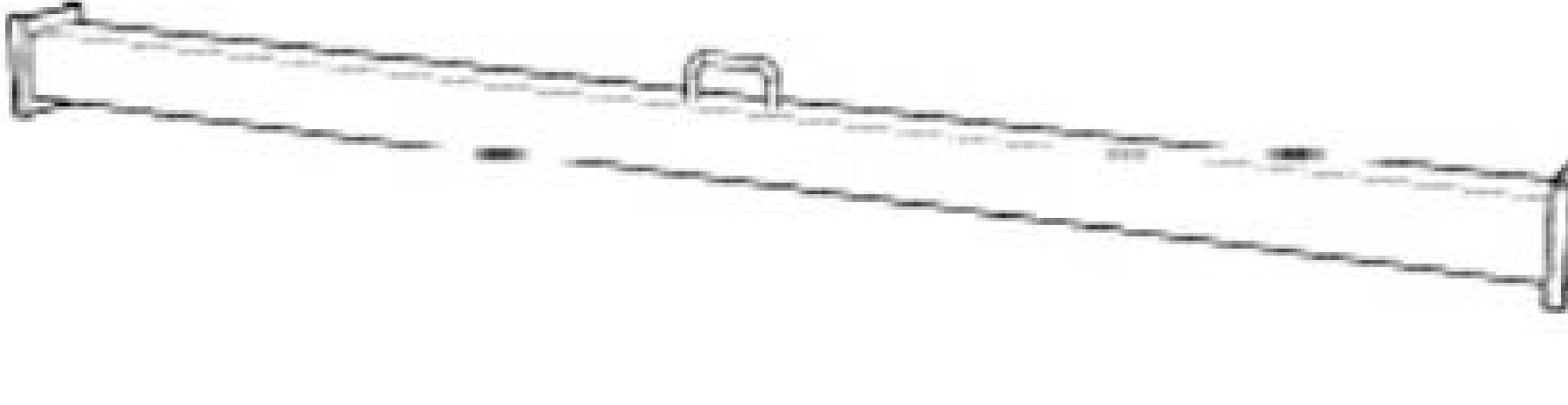

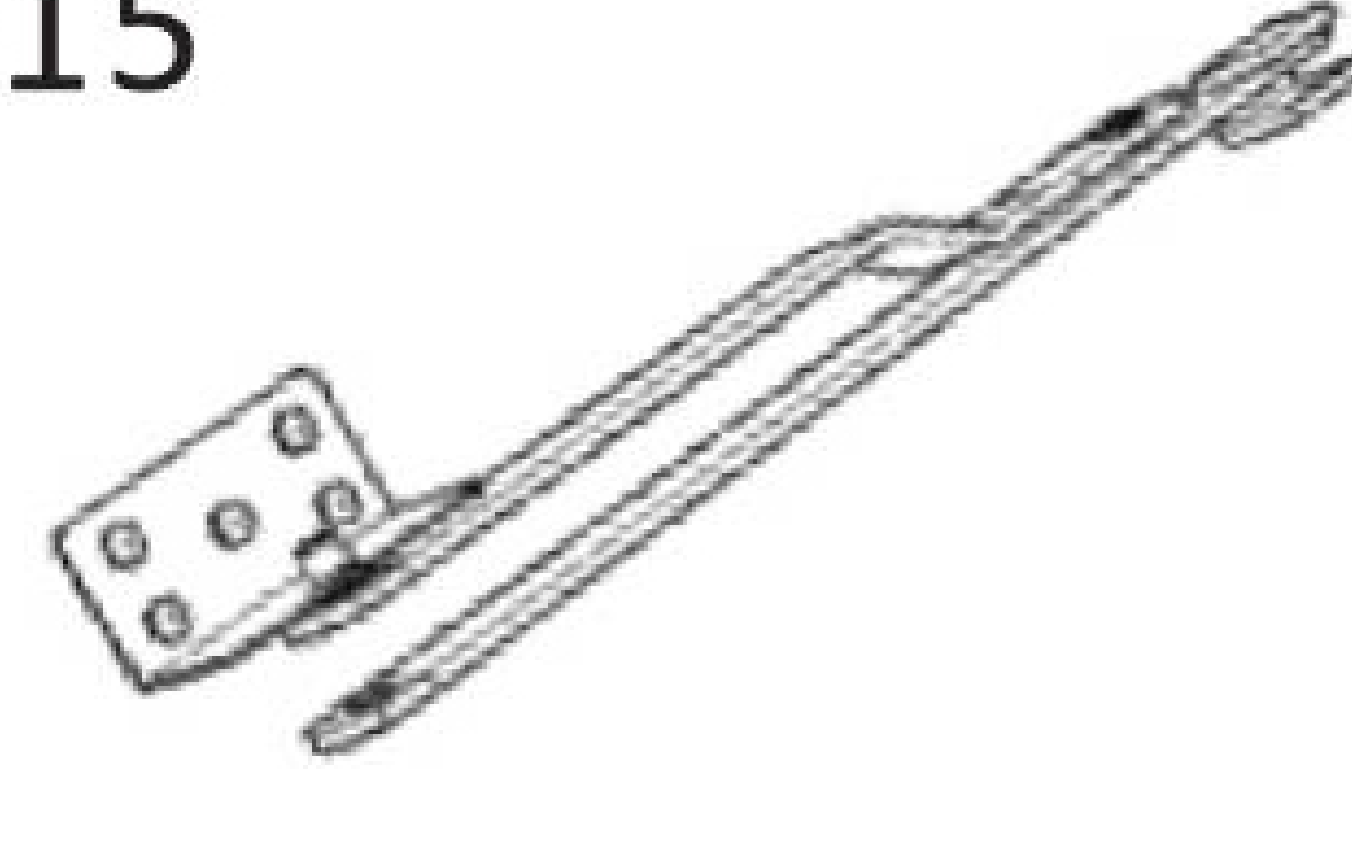
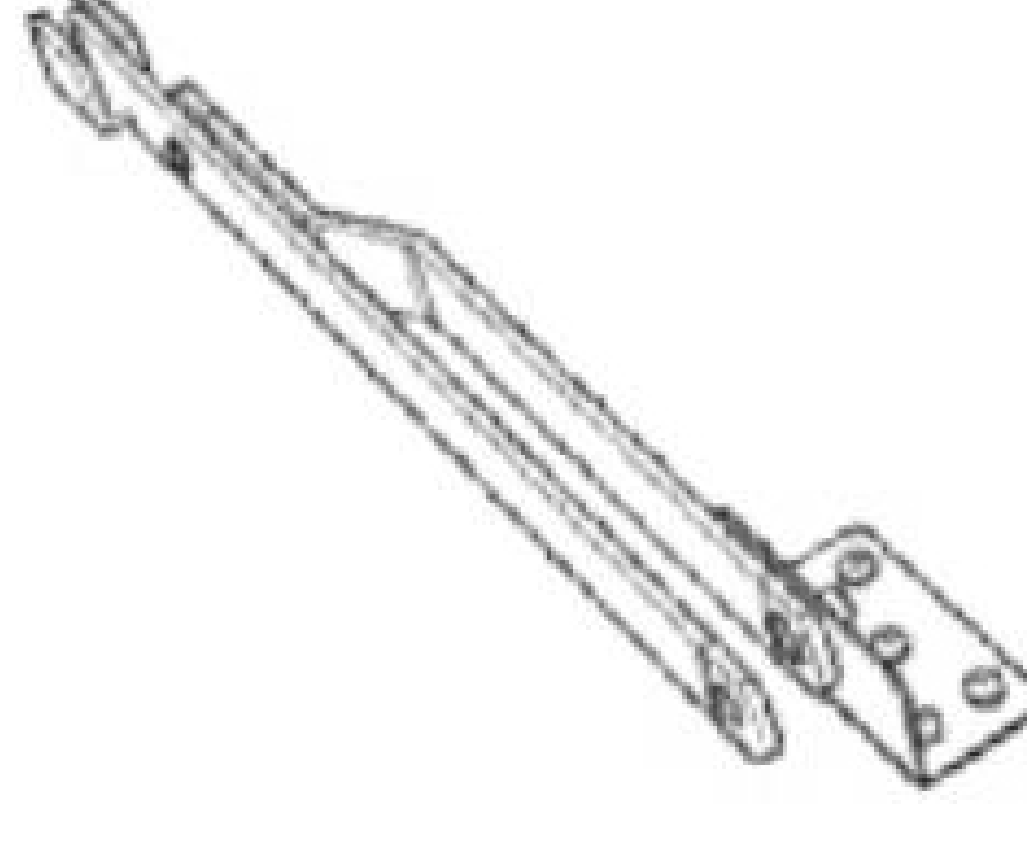


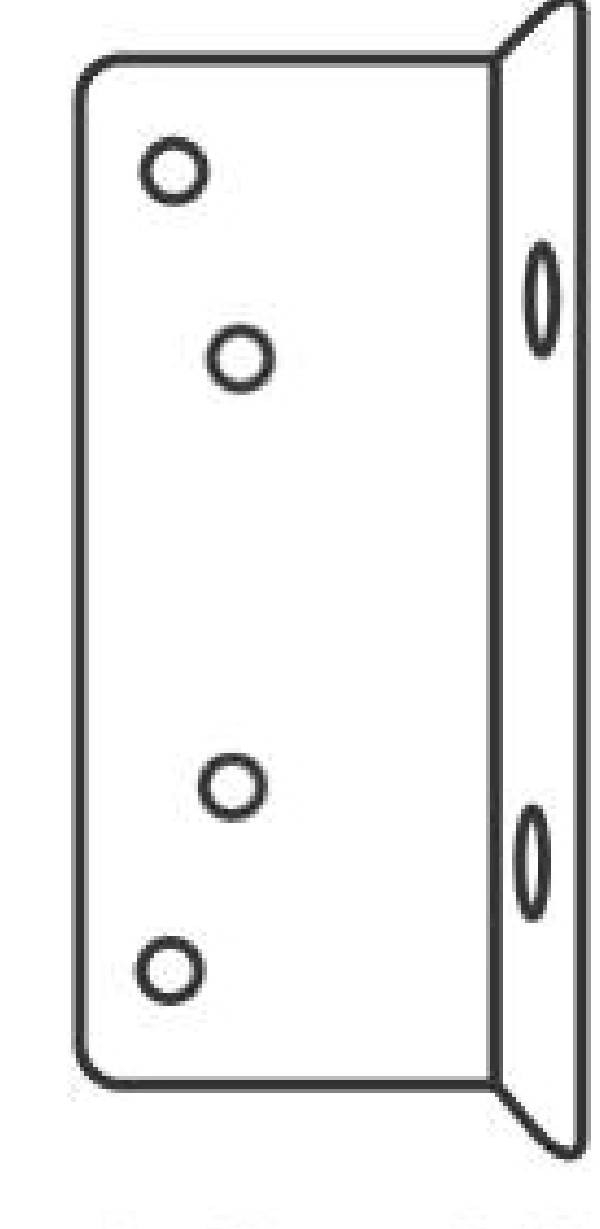
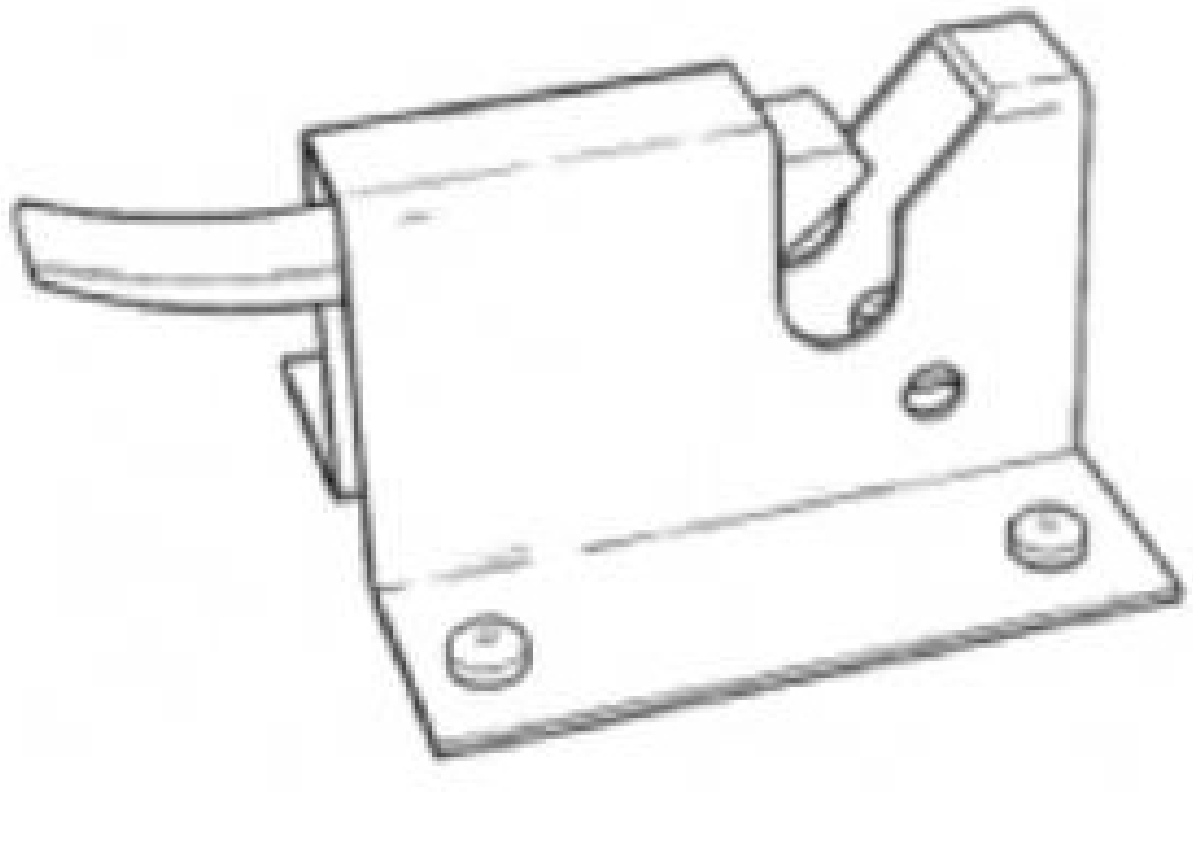
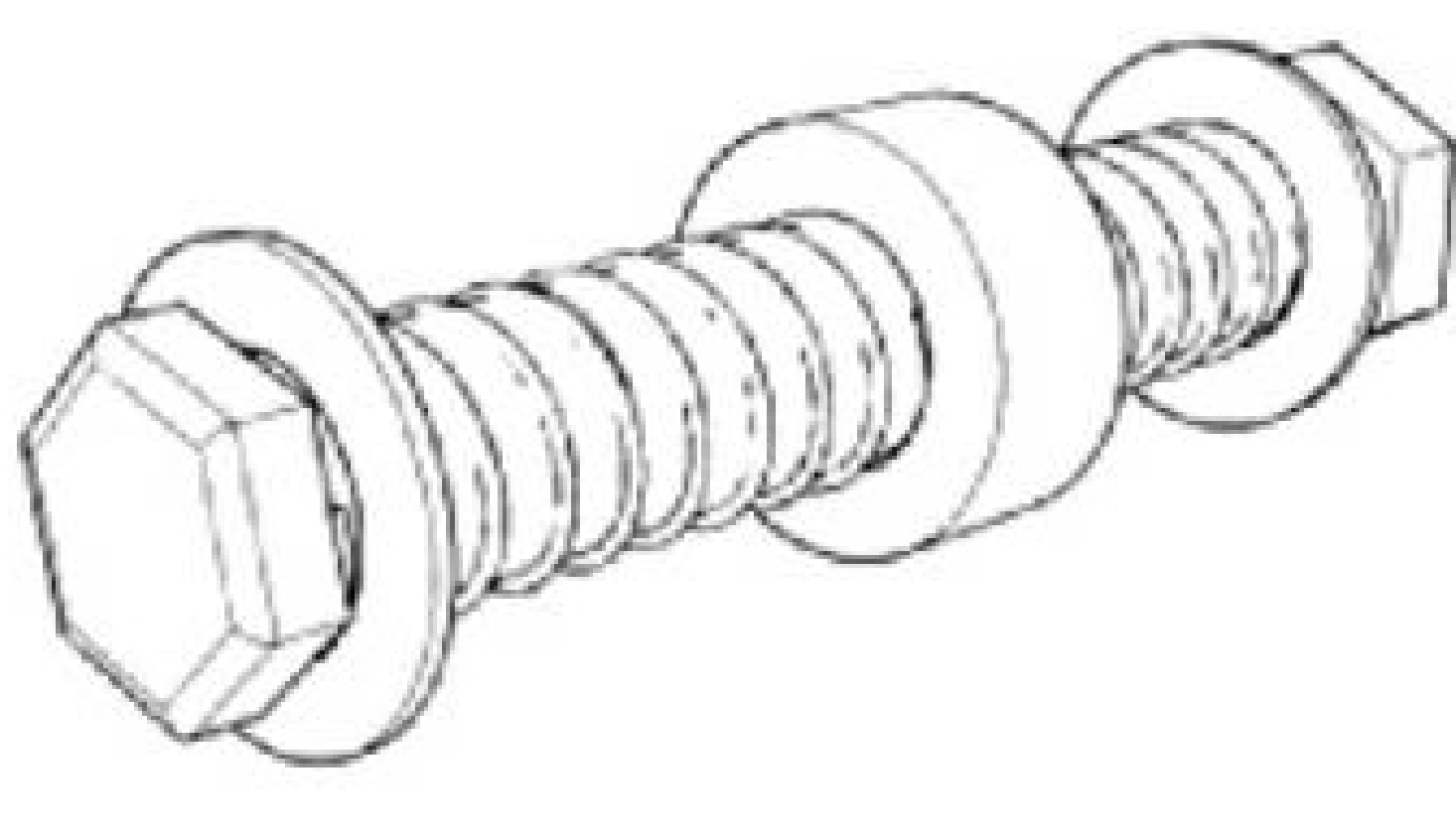
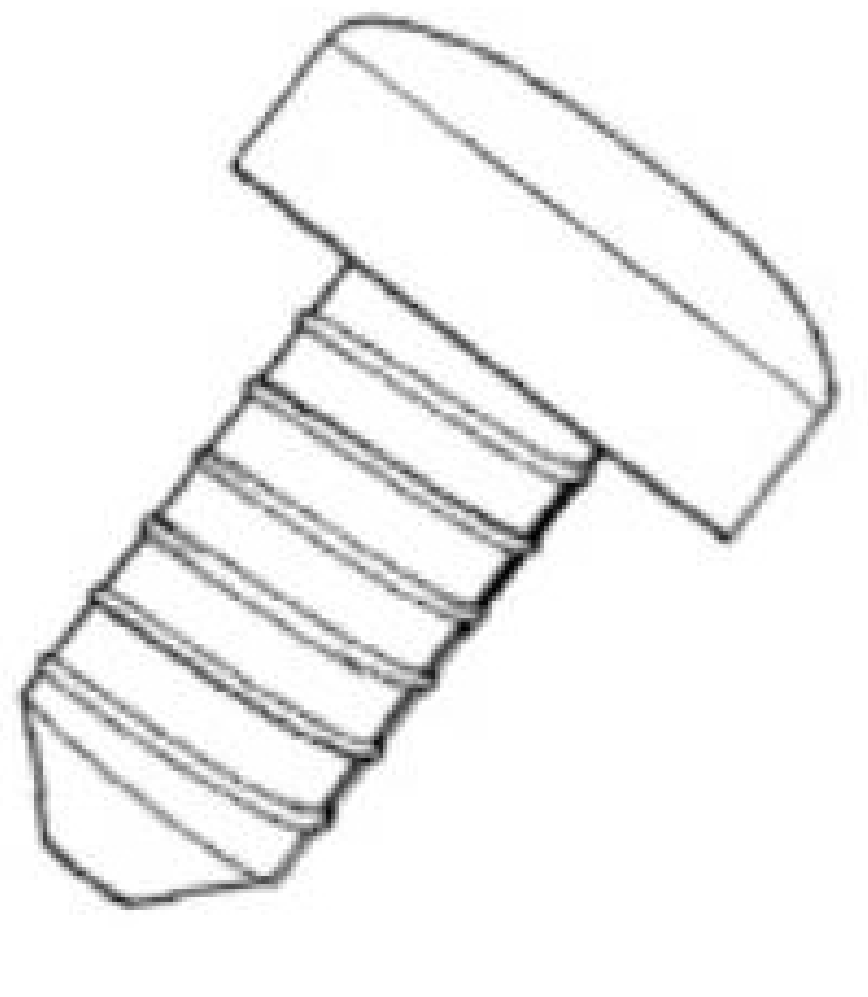
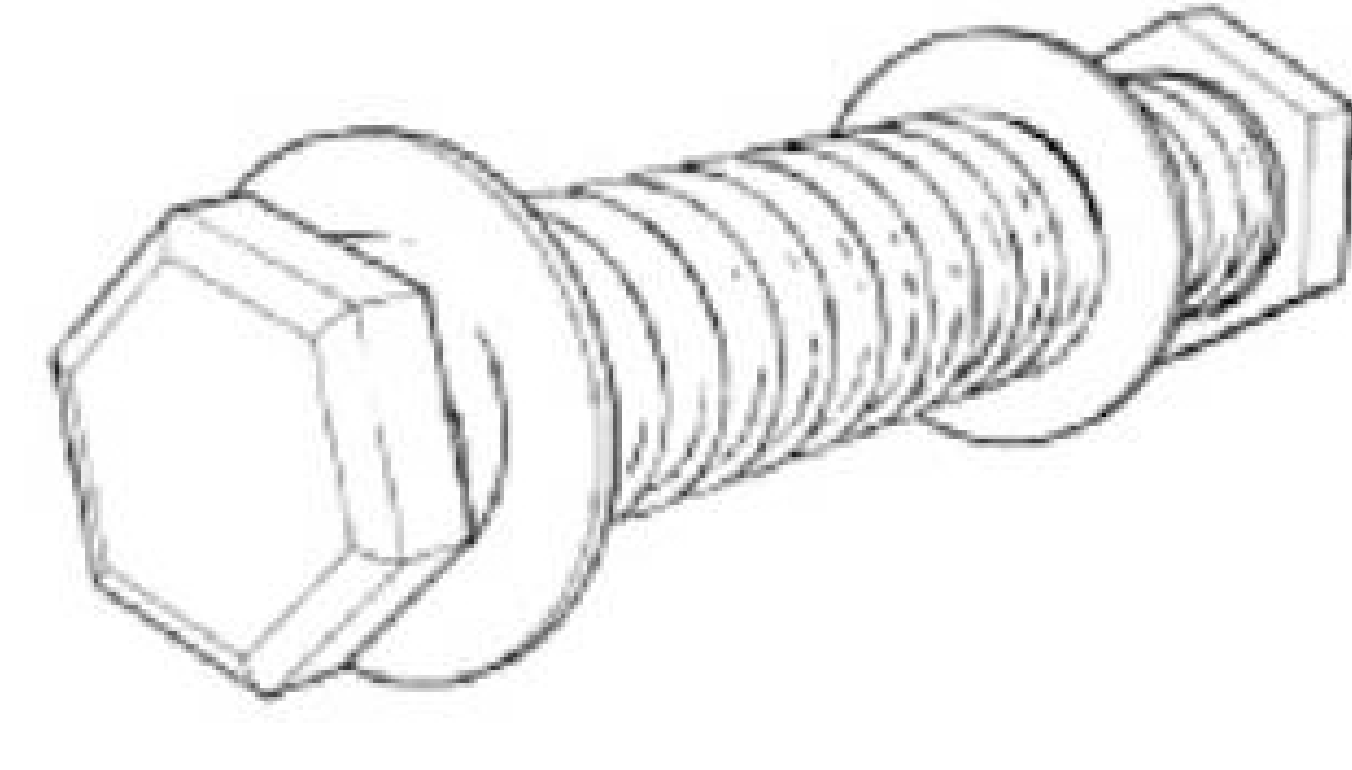
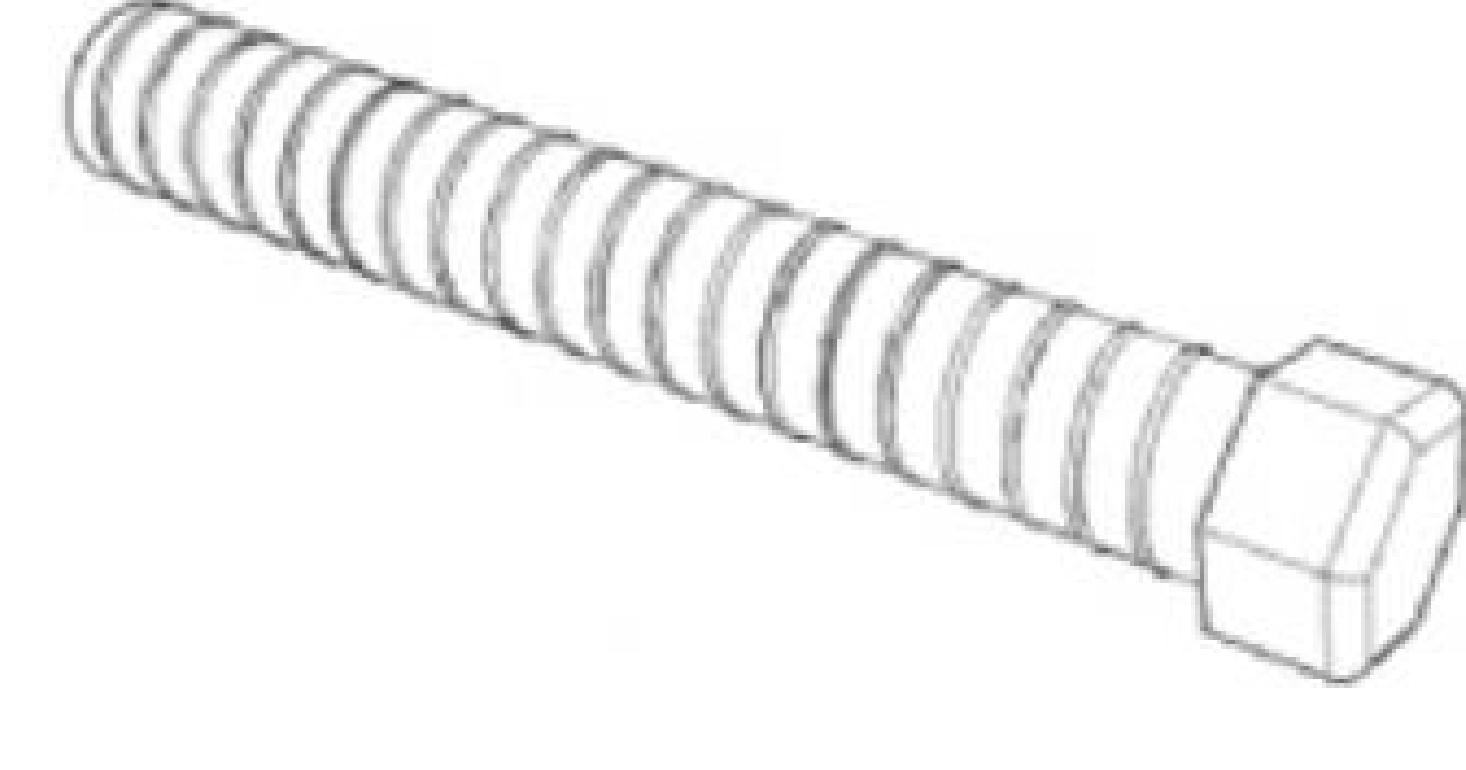

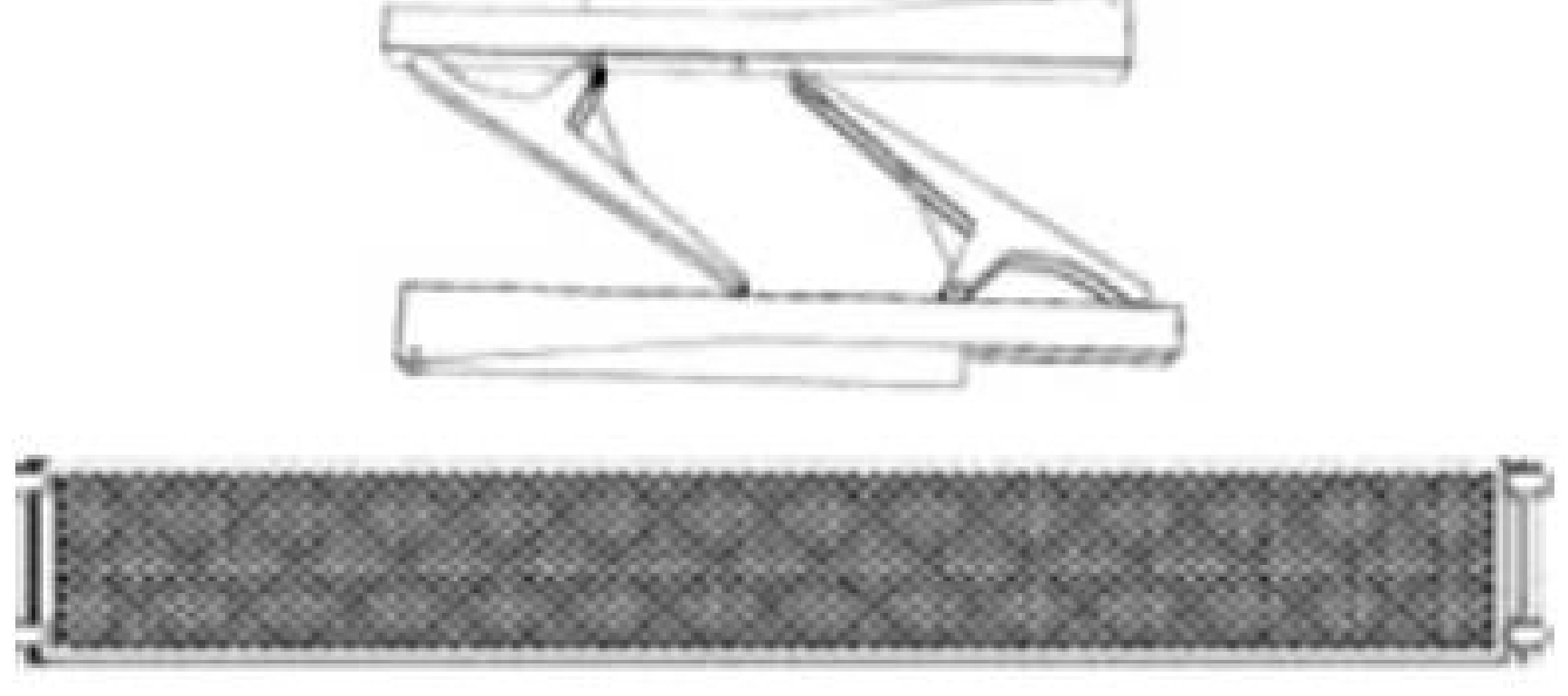

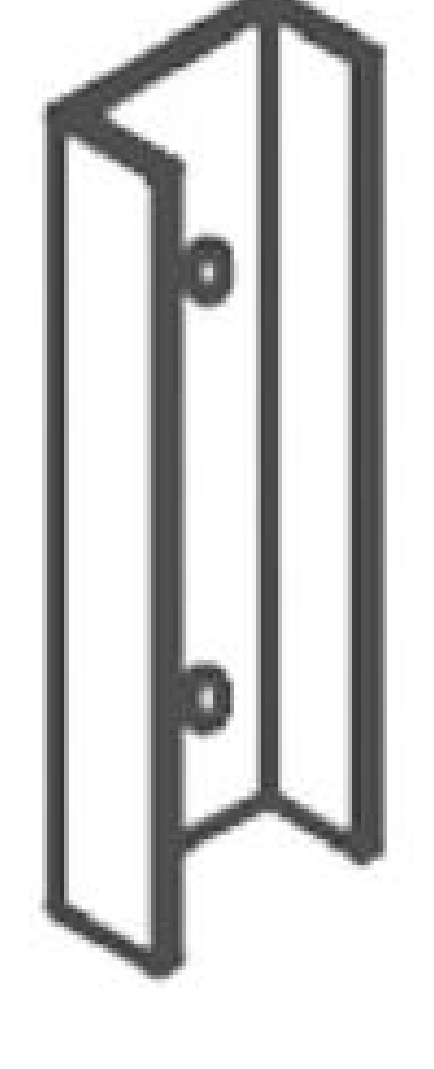
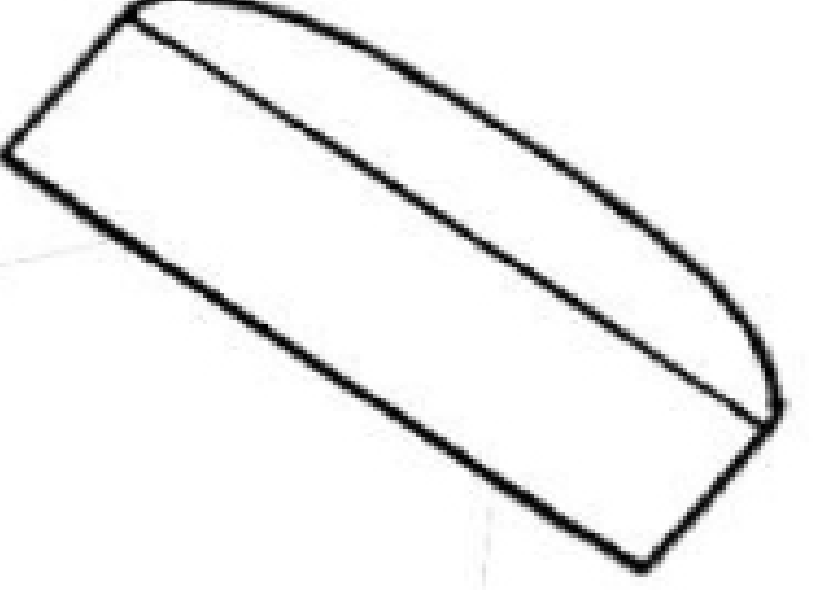


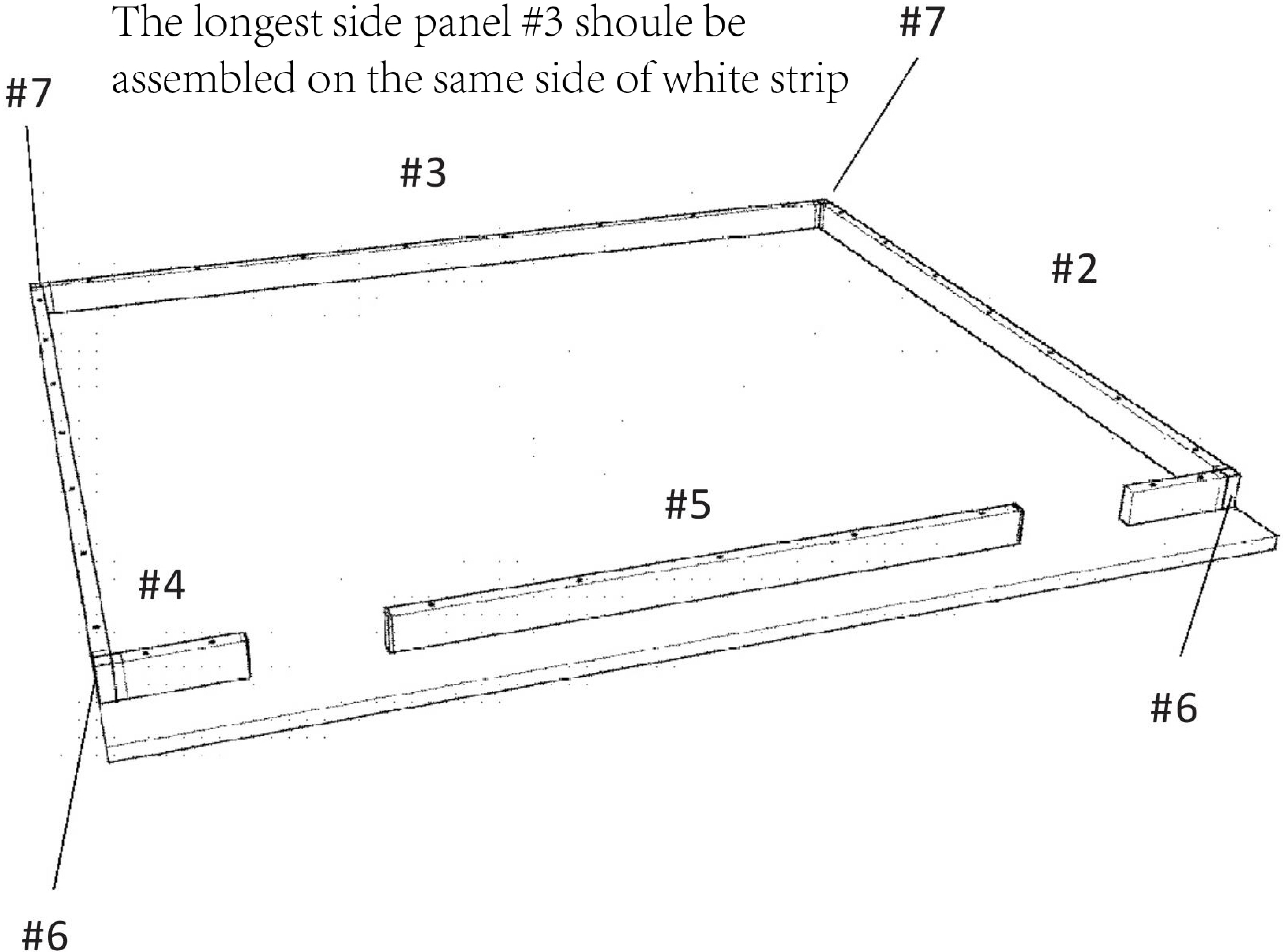
Installation examples for Single folding table



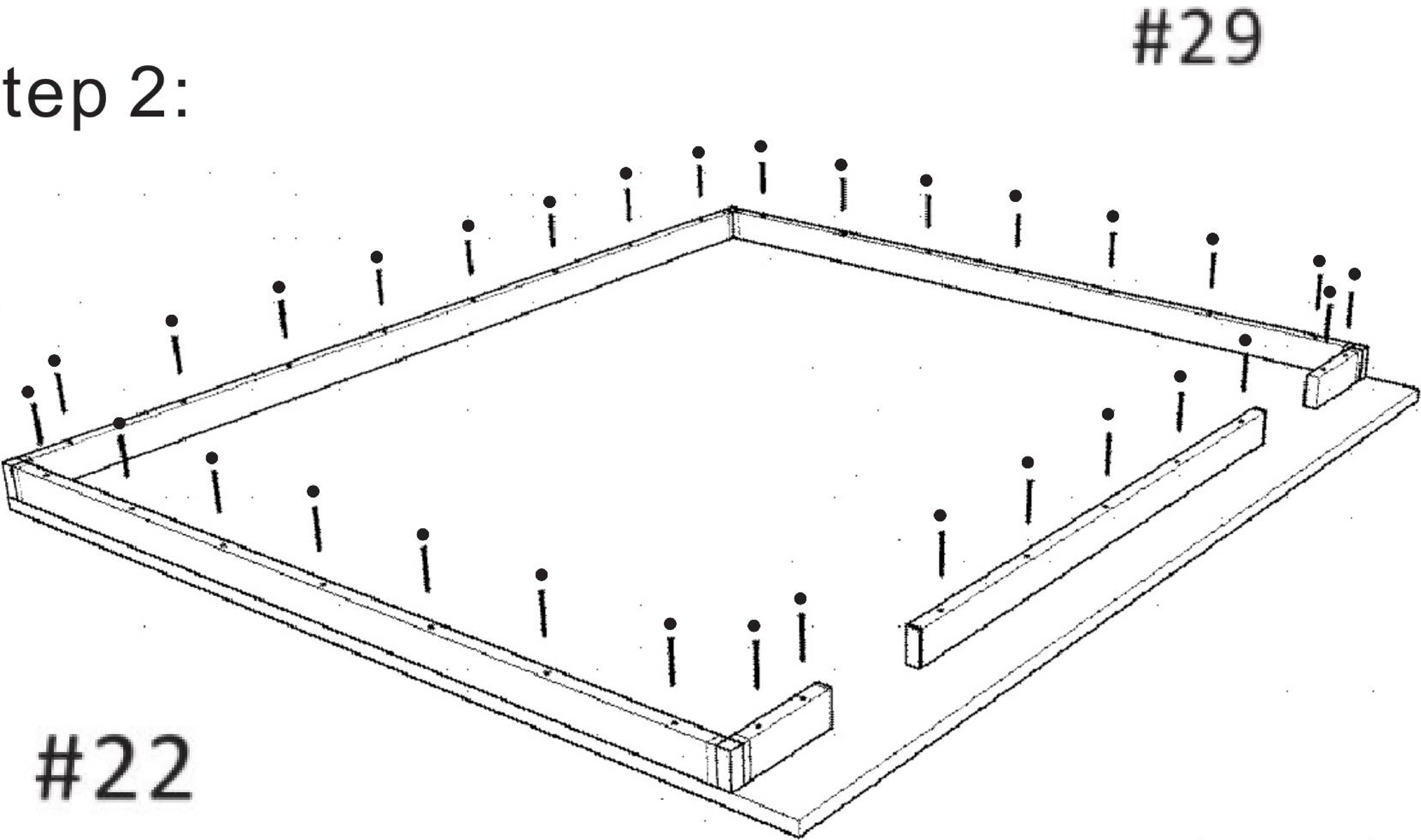
<p>#1</p>  <p>16mm 2PCS</p>	<p>#2</p>  <p>1280mm 4PCS</p>	<p>#3</p>  <p>1494mm 2PCS</p>	<p>#4</p>  <p>140mm 4PCS</p>
<p>#5</p>  <p>950mm 2PCS</p>	<p>#6</p>  <p>4PCS</p>	<p>#7</p>  <p>4PCS</p>	<p>#8</p>  <p>910mm 2PCS</p>
<p>#9</p>  <p>705mm 4PCS</p>	<p>#10</p>  <p>M10*30 4PCS</p>	<p>#11</p>  <p>500mm 4PCS</p>	<p>#12</p>  <p>440mm 4PCS</p>
<p>#13</p>  <p>1040mm 2PCS</p>	<p>#14</p>  <p>730mm 4PCS</p>	<p>#15</p>  <p>Light 2SET</p>	<p>#16</p>  <p>Right 2SET</p>
<p>#17</p>  <p>4PCS</p>	<p>#18</p>  <p>4PCS</p>	<p>#19</p>  <p>16PCS</p>	<p>#20</p>  <p>2PCS</p>
<p>#21</p>  <p>M8x45 16PCS</p>	<p>#22</p>  <p>M4x14 146PCS</p>	<p>#23</p>  <p>M8x50 8PCS</p>	<p>#24</p>  <p>M10x45 8PCS</p>
<p>#25</p>  <p>2PCS</p>	<p>#26</p>  <p>NET1</p>	<p>#27</p>  <p>1SET</p>	<p>#28</p>  <p>8PCS</p>
<p>#29</p>  <p>128PCS</p>			

Step 1:

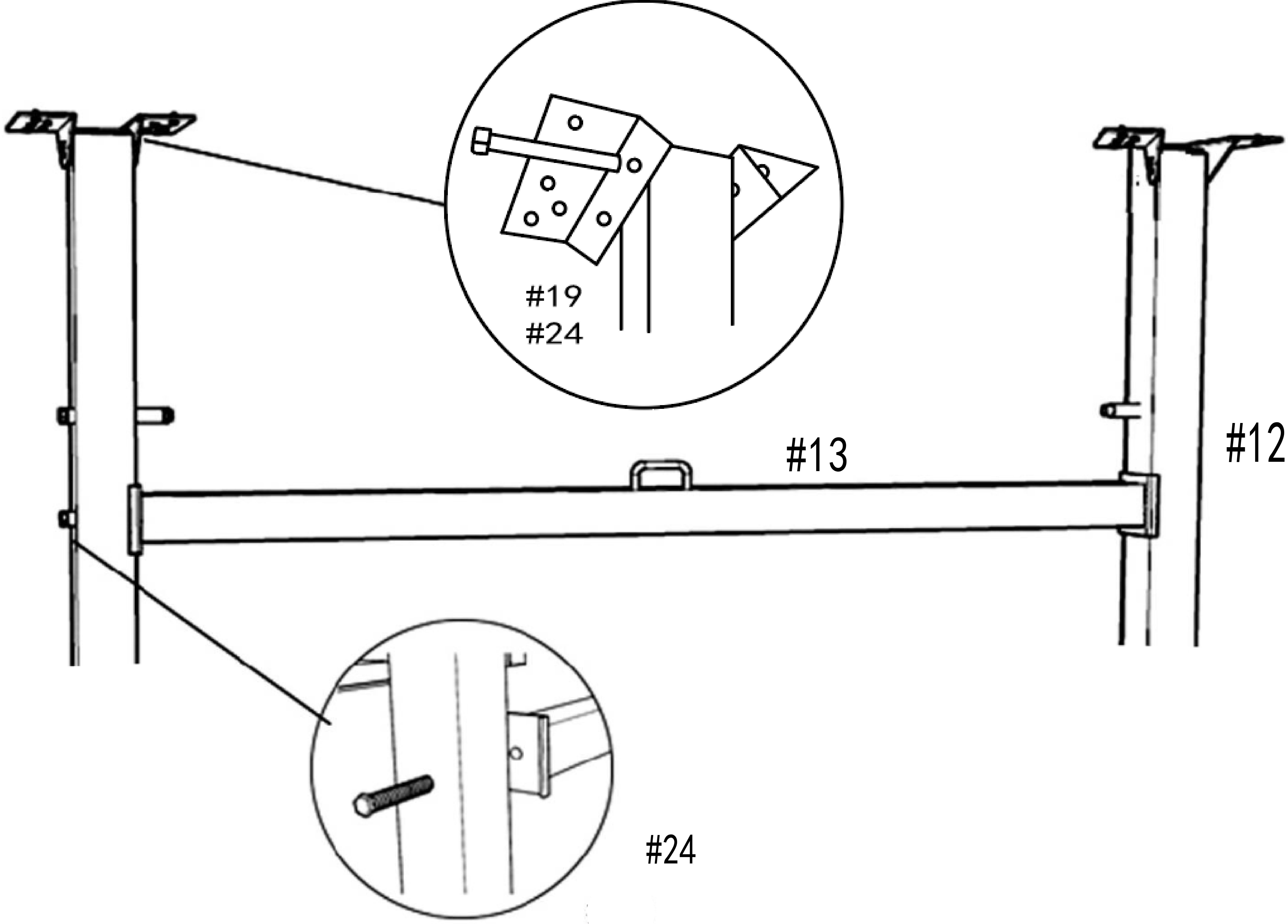
The longest side panel #3 should be assembled on the same side of white strip



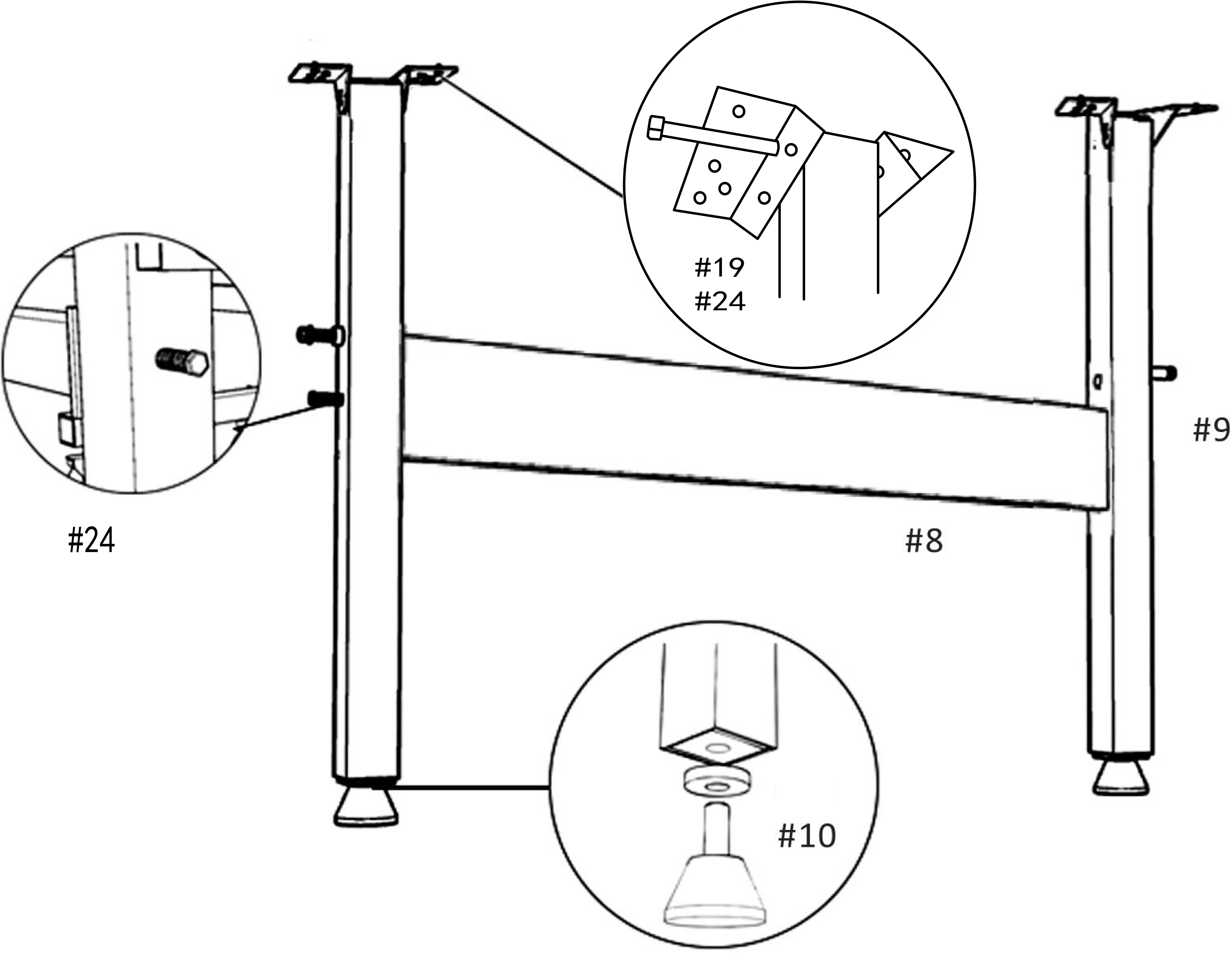
Step 2:



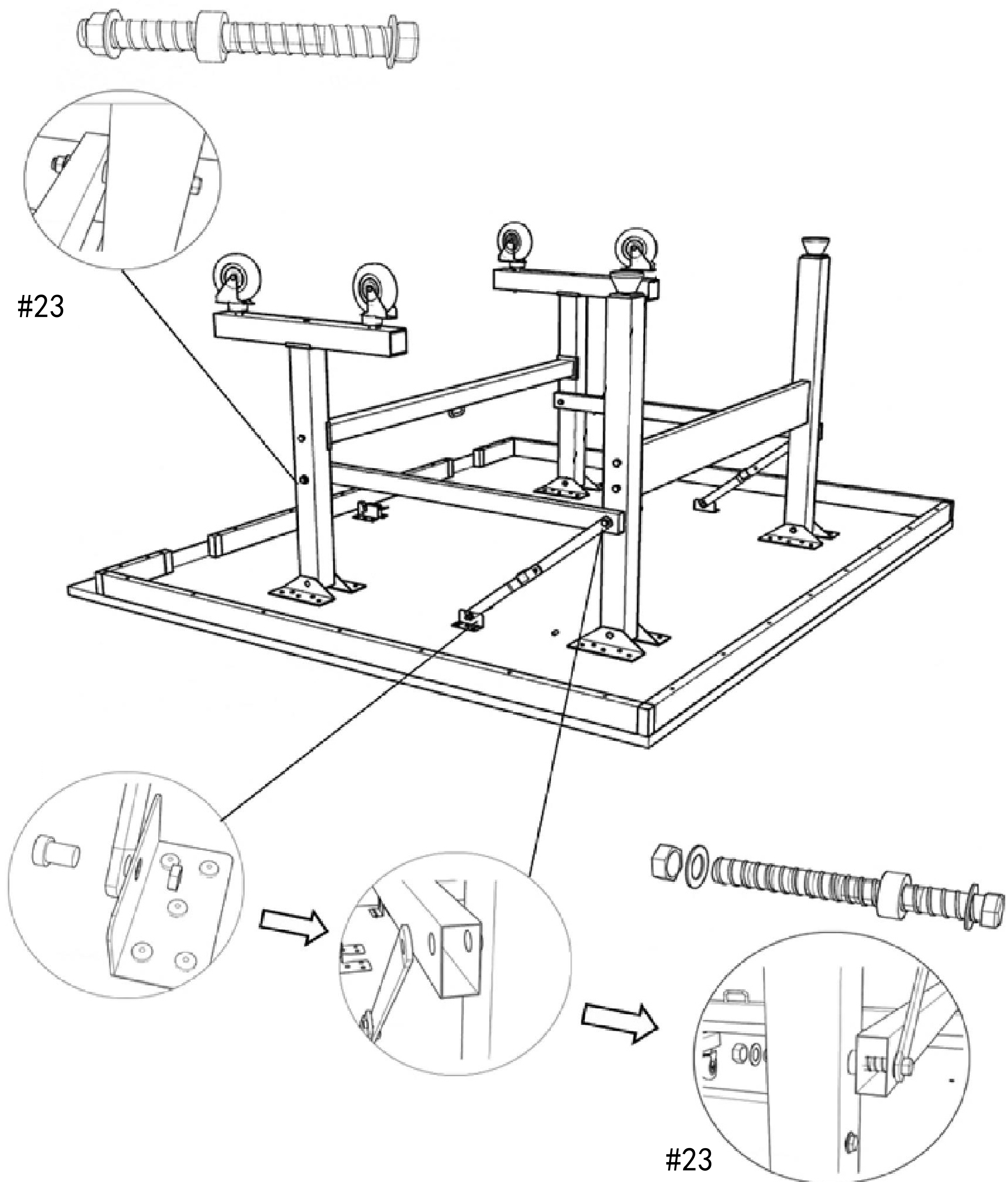
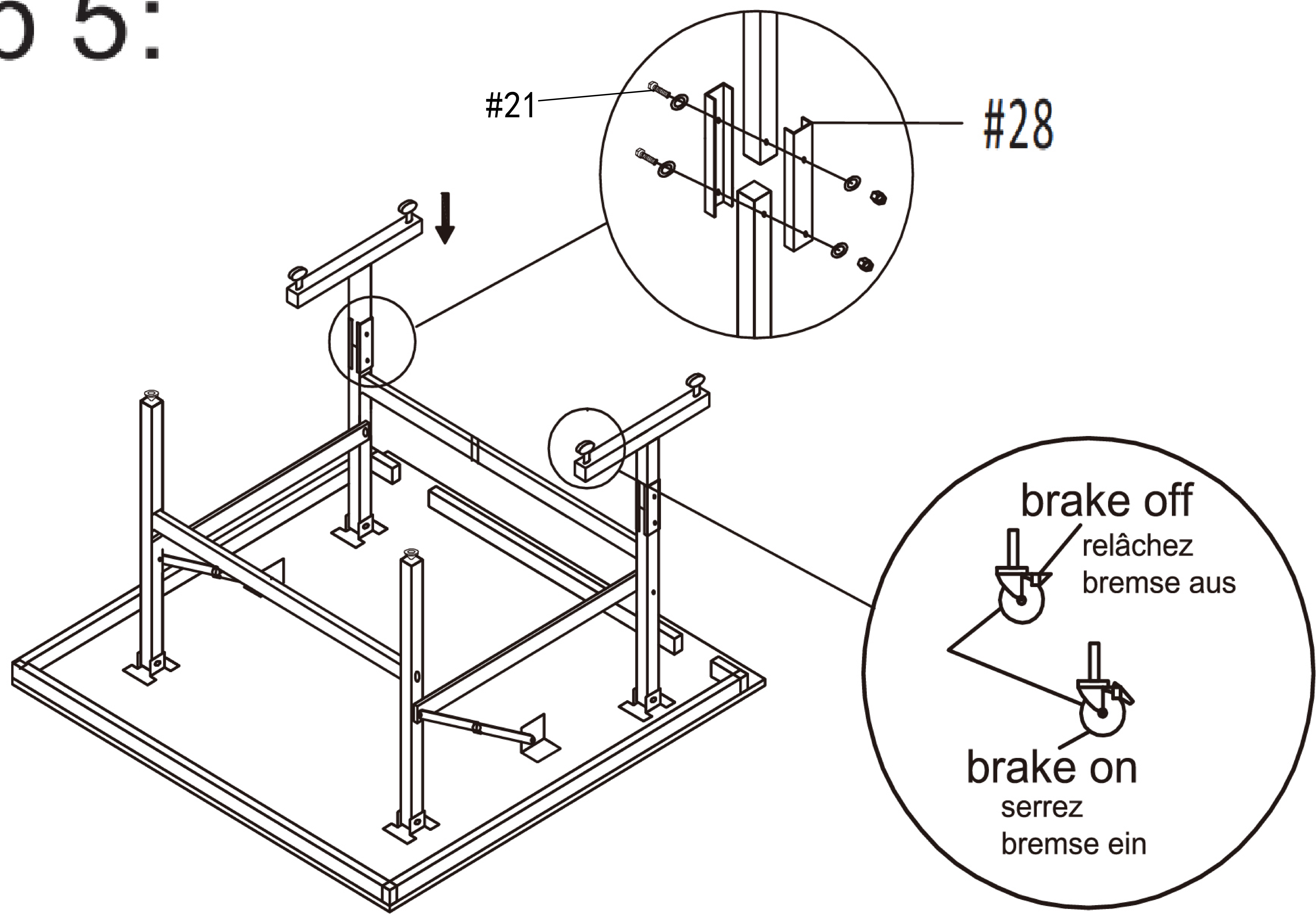
Step 3:



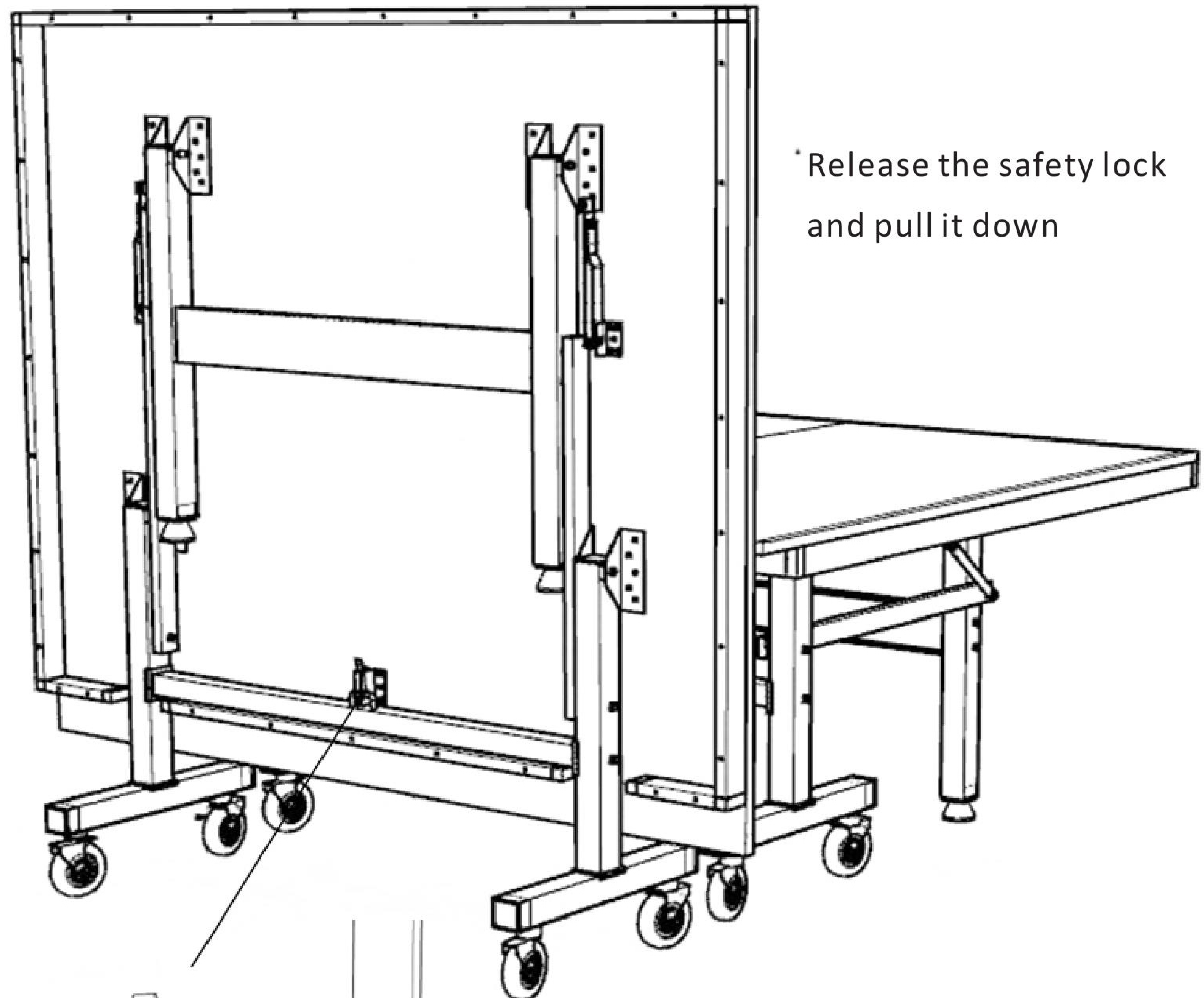
Step 4:



Step 5:

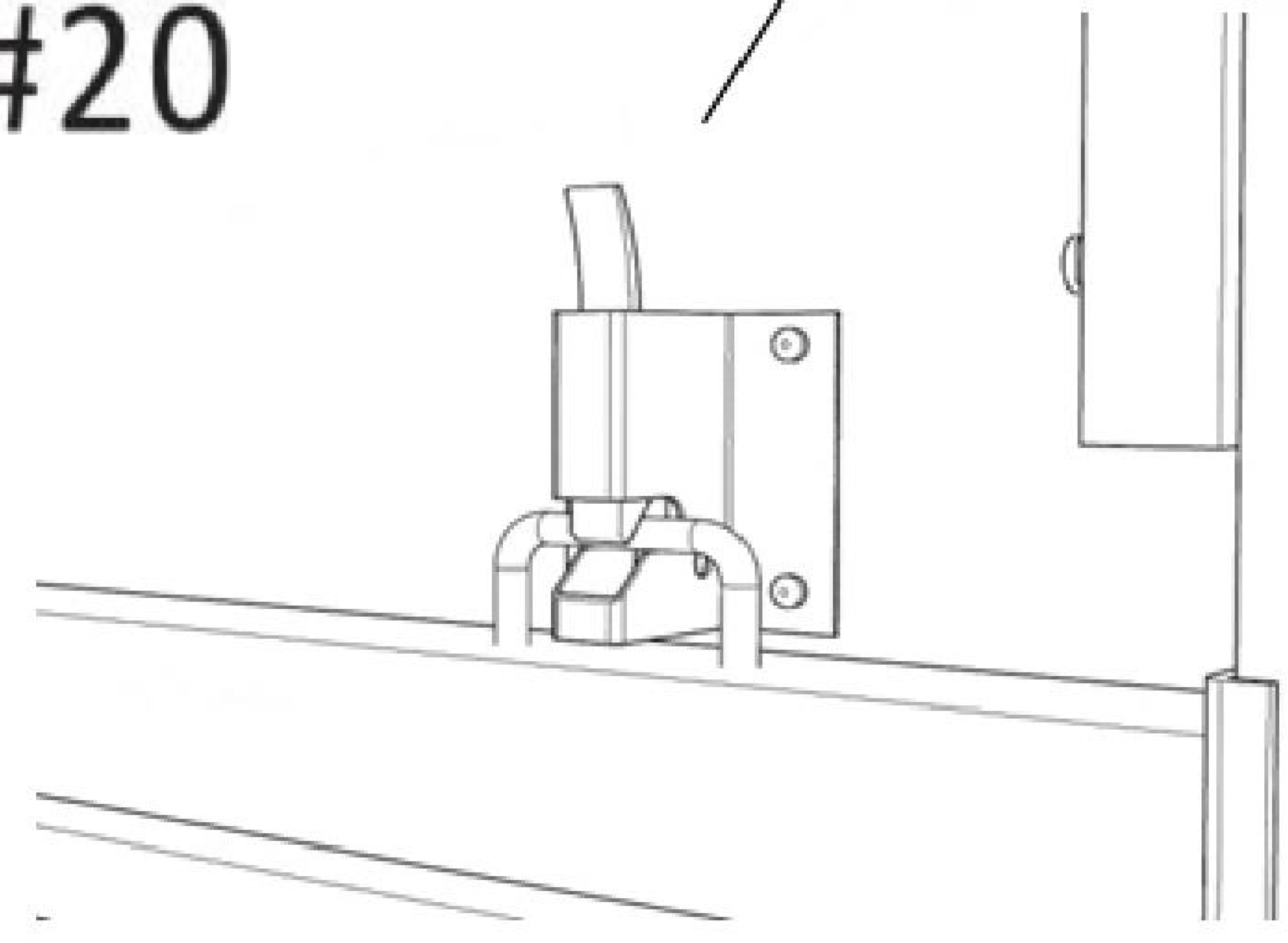


Step 6:



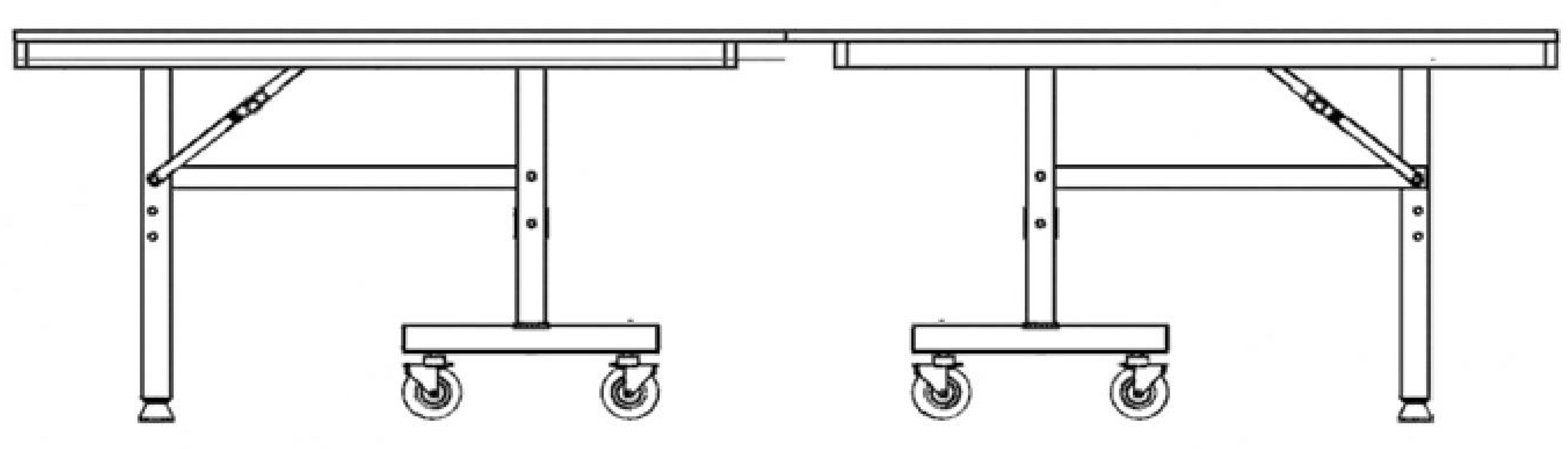
* Release the safety lock and pull it down

#20



Press the safety lock and the panel goes down

Push up until you install the lock, and lock it and let it go



Step 7:

