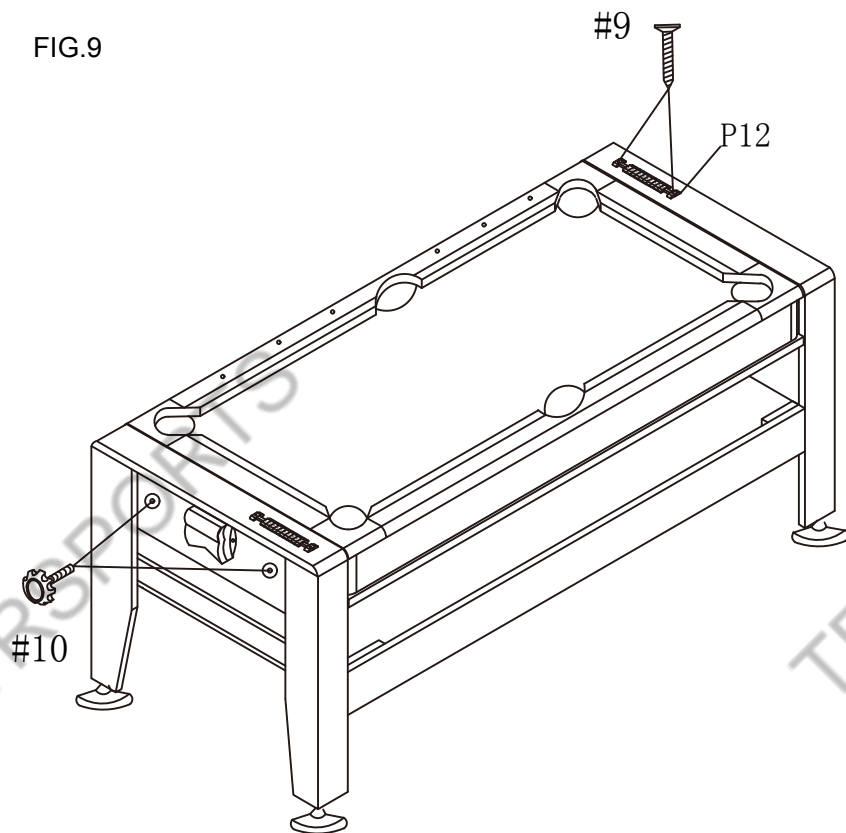


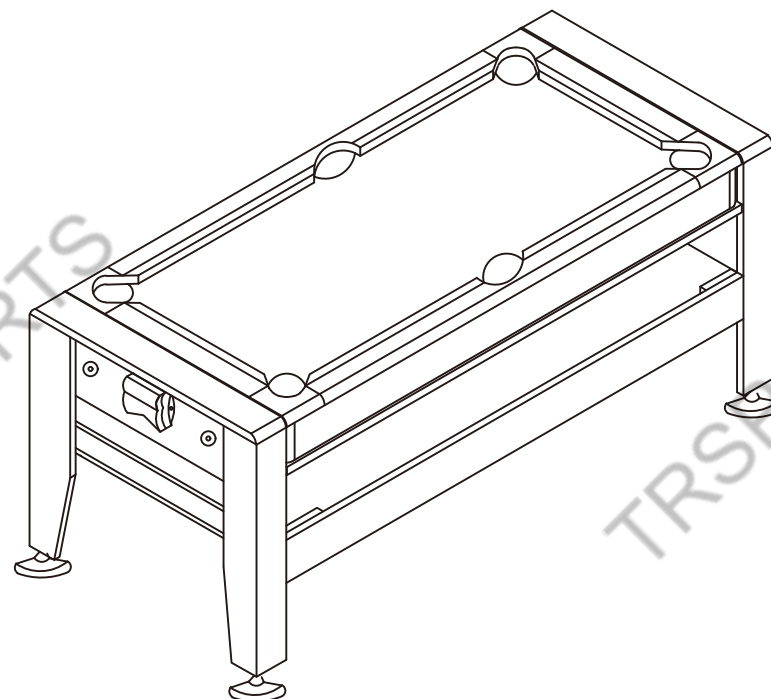
P11 ASSEMBLY INSTRUCTIONS
WARNING: TWO ADULTS NEEDED ASSEMBLE POOL TABLE

FIG.9



POOL TABLE

ASSEMBLY INSTRUCTIONS



ATTENTION:

Assembly have finished, please do not move it.
If you have to move, please block it up first.

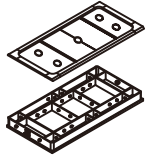
IMPORTANT:

Please read through the instruction book before attempting assembly to familiarize yourself with all parts and assembly steps.

P1

PARTS IDENTIFIER

P1



1pc

P2



Rotator 1
2pcs

P3



Rotator 2
2pcs

P4



APRON SIDE PANELS
2pcs

P5



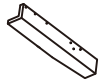
PANEL 1
2pcs

P6



PANEL 2
2pcs

P7



LEG
4pcs

P8



PANEL 3
2pcs

P9



PANEL 4
2pcs

P10



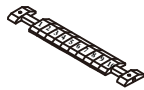
SLIDE SCORER
2pcs

P11



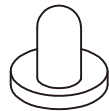
LEG LEVELERS
4pcs

P12



SCORER

P13



HOCKEY STRIKER
2 pcs

P14



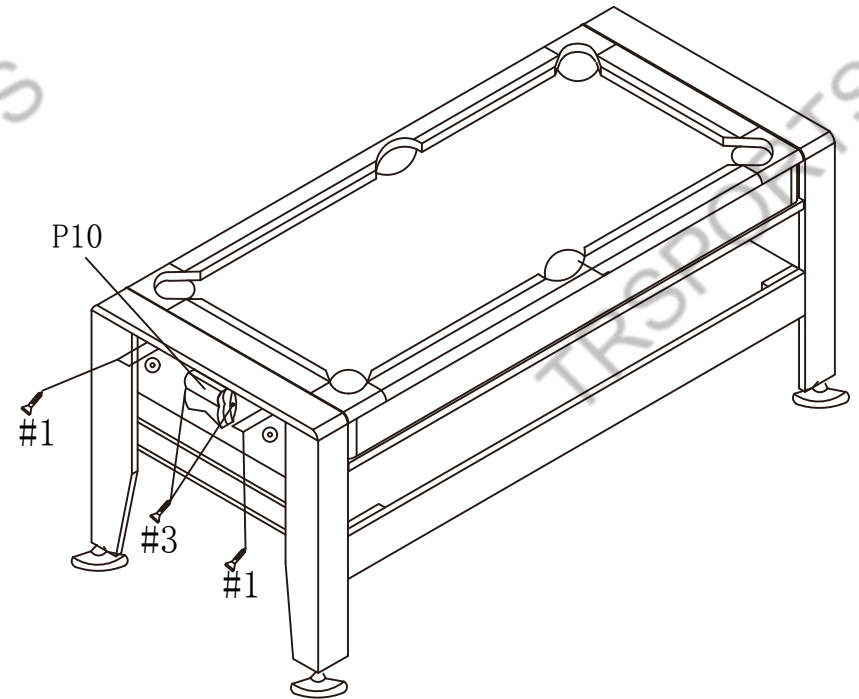
HOCKEY PUCK
2pcs

ASSEMBLY INSTRUCTIONS

P10

WARNING: TWO ADULTS NEEDED ASSEMBLE POOL TABLE

FIG.8

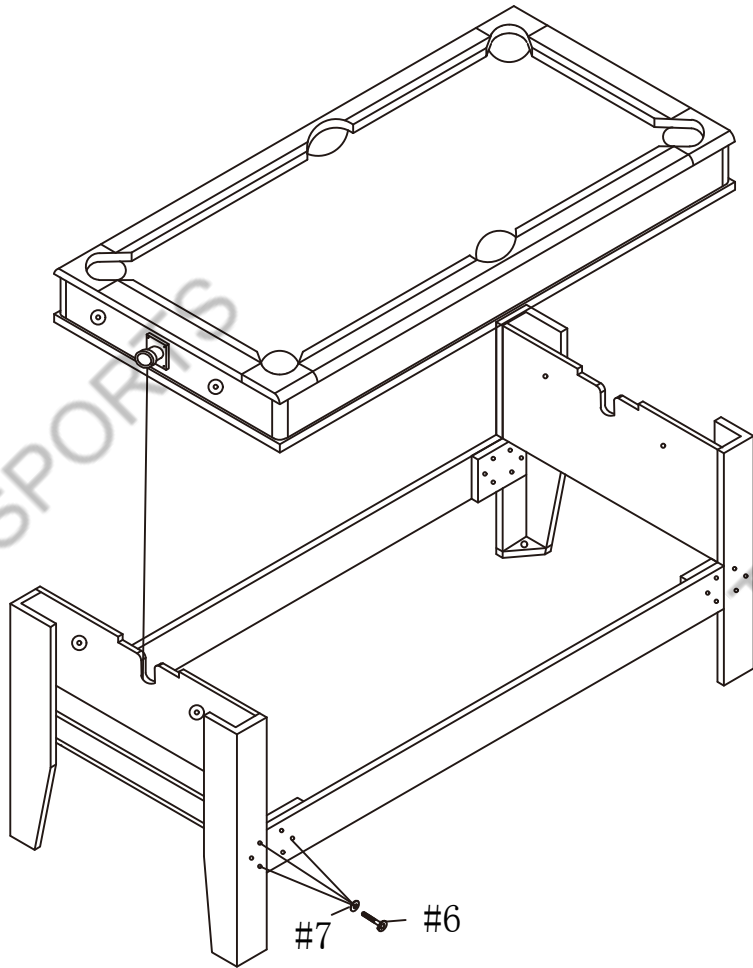


P9

ASSEMBLY INSTRUCTIONS


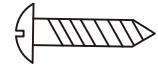
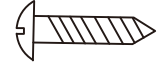

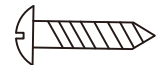






WARNING: TWO ADULTS NEEDED ASSEMBLE POOL TABLE

FIG.7



PARTS IDENTIFIER

P2

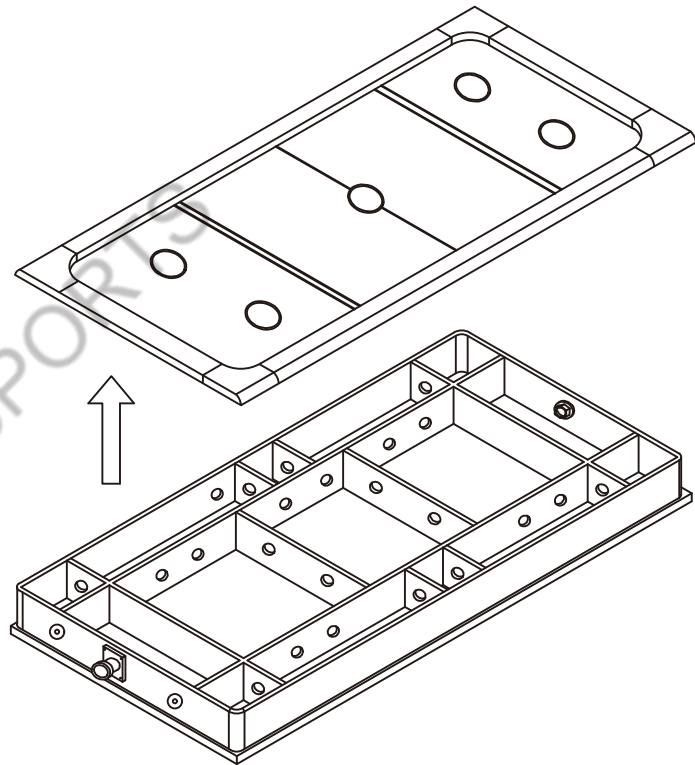
<p>#1</p>  <p>F4*32mm PHILLIPS SCREWS 20pcs</p>	<p>#2</p>  <p>T4*38mm PHILLIPS SCREWS 16pcs</p>	<p>#3</p>  <p>T4*15mm PHILLIPS SCREWS 36pcs</p>
<p>#4</p>  <p>L Connection 8pcs</p>	<p>#5</p>  <p>T4*43mm PHILLIPS SCREWS 12pcs</p>	<p>#6</p>  <p>1/4*1-3/4" BOLTS 36pcs</p>
<p>#7</p>  <p>1/4"BLACK FLAT WASHERS 36pcs</p>	<p>#8</p>  <p>1/4"BARREL NUT 12pcs</p>	<p>#9</p>  <p>F4*25mm PHILLIPS SCREWS 4pcs</p>
<p>#10</p>  <p>Handle Bolt 4pcs</p>	<p>#11</p>  <p>TOOL 1pc</p>	

P3

ASSEMBLY INSTRUCTIONS

WARNING: TWO ADULTS NEEDED ASSEMBLE POOL TABLE

FIG.1



P8

ASSEMBLY INSTRUCTIONS

WARNING: TWO ADULTS NEEDED ASSEMBLE POOL TABLE

FIG.6

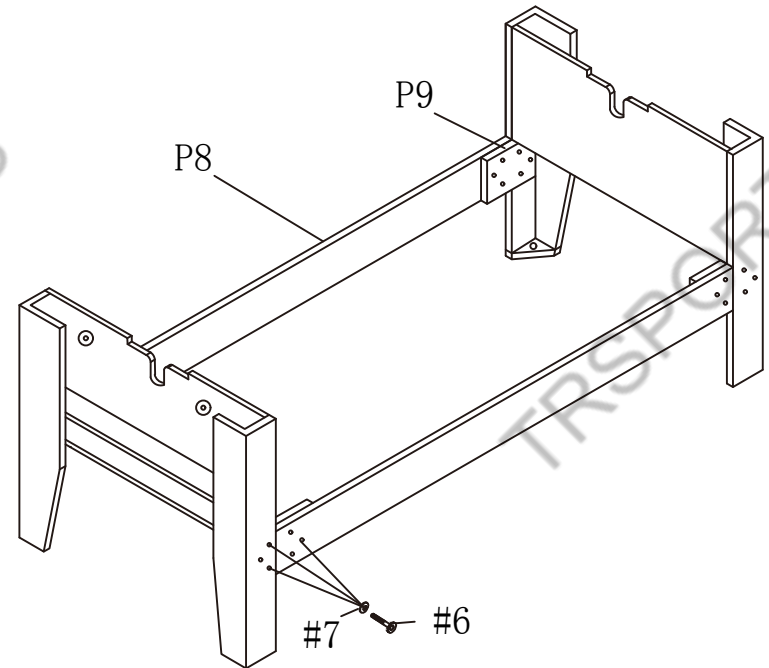


FIG.5

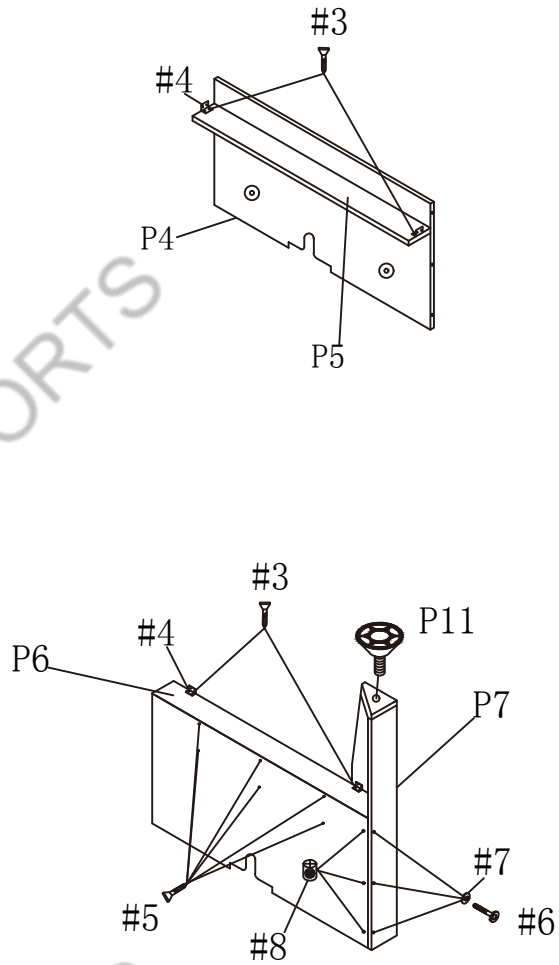


FIG.2

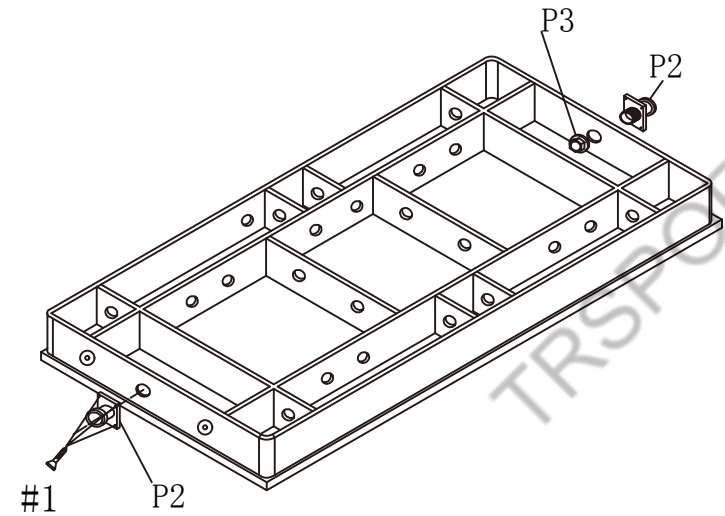


FIG.3

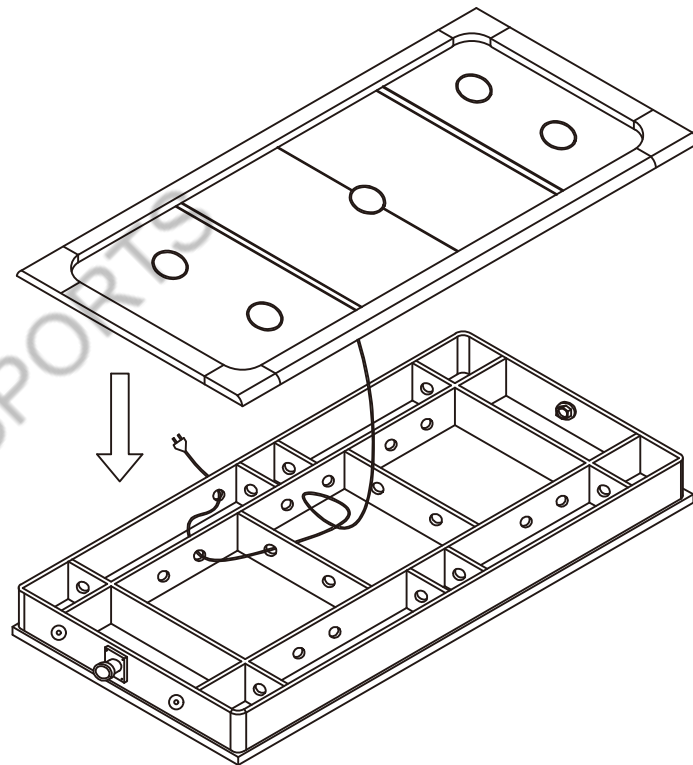


FIG.4

