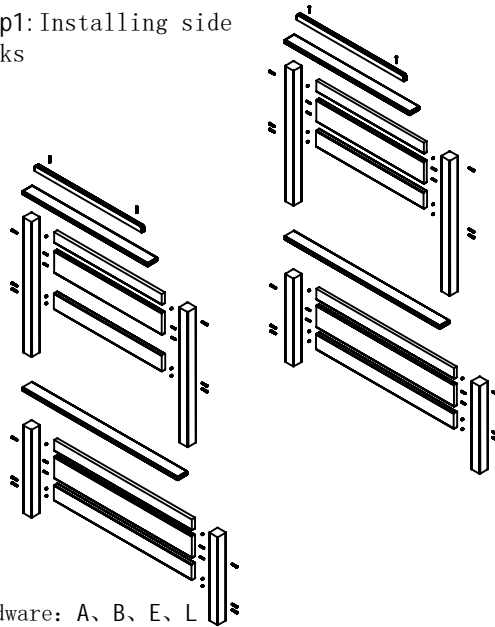


# INSTALLATION

Bunk Bed

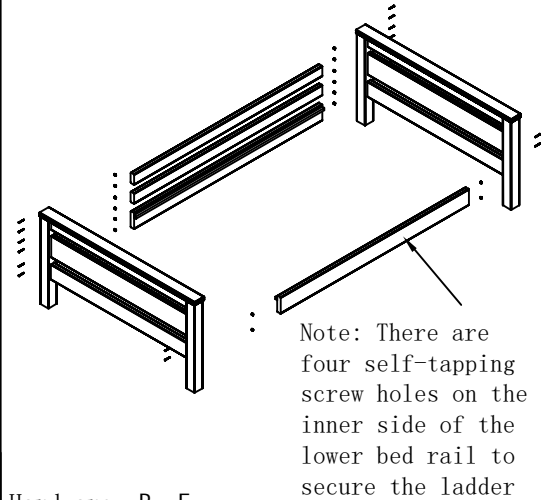
<b>A</b> Countersunk Internal Hex Screw M8*110=4pcs	<b>N</b> Bed Slat Holder 30*40=2pcs
<b>B</b> Cross Flat Head Screw M8*100=60pcs	<b>O</b> Self-tapping Screw M4*20=10pcs
<b>C</b> Countersunk Internal Hex Screw M8*60=12pcs	<b>P</b> Self-tapping Screw M3.5*30=30pcs
<b>D</b> Countersunk Internal Hex Screw M8*40=2pcs	<b>Q</b> Stopper 70pcs
<b>E</b> Eccentric Wheel Nut 12*15*8=74pcs	<b>R</b> Hex Key Wrench 1pc
<b>F</b> Cross Flat Head Screw M6*50=3pcs	<b>S</b> Self-tapping Screw M4*35=72pcs
<b>G</b> Eccentric Wheel Nut 10*11*6=3pcs	
<b>H</b> Drawer Handle Screws Ø4*65=1pc	
<b>I</b> Drawer Handle Ø35*25=1pc	
<b>J</b> Washer Ø4*2=1pc	
<b>K</b> Iron Dowel Ø9*80=4pcs	
<b>L</b> Wooden Dowel Ø10*40=16pcs	
<b>M</b> Self-tapping Screw M3.5*45=24pcs	

Step1: Installing side racks



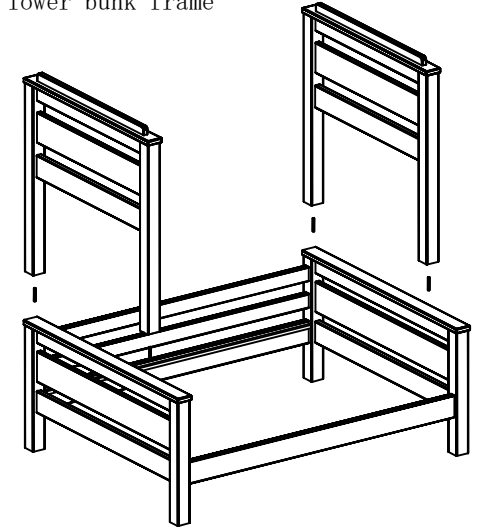
Hardware: A, B, E, L

Step2: Connecting the lower frame and lower bed rail



Hardware: B, E

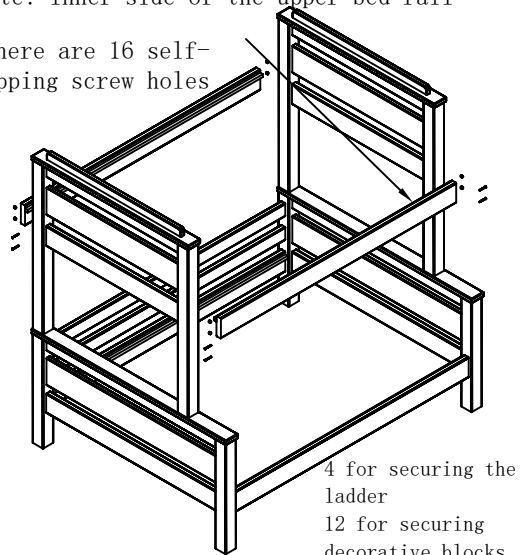
Step3: Placing the upper bunk frame onto the lower bunk frame



Hardware: K

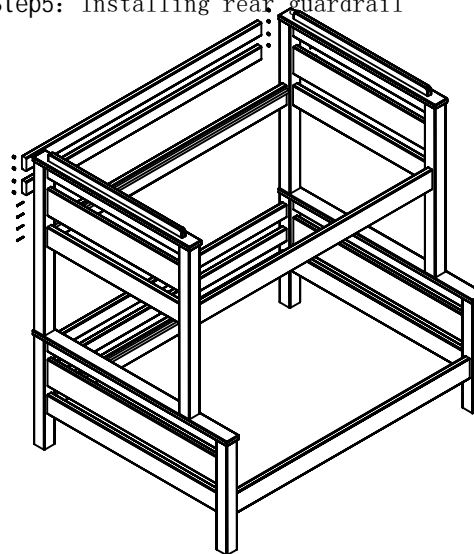
Step4: Installing the upper bunk bed rail  
Note: Inner side of the upper bed rail

There are 16 self-tapping screw holes



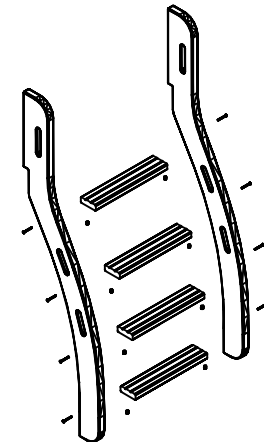
Hardware: B, E

Step5: Installing rear guardrail



Hardware: B, E, R

Step6: Installing stairs



Hardware: C, D

Bunk Bed

# INSTALLATION

<b>A</b> Countersunk Internal Hex Screw M8*110=4pcs	<b>N</b> Bed Slat Holder 30*40=2pcs
<b>B</b> Cross Flat Head Screw M8*100=60pcs	<b>O</b> Self-tapping Screw M4*20=10pcs
<b>C</b> Countersunk Internal Hex Screw M8*60=12pcs	<b>P</b> Self-tapping Screw M3.5*30=30pcs
<b>D</b> Countersunk Internal Hex Screw M8*40=2pcs	<b>Q</b> Stopper 70pcs
<b>E</b> Eccentric Wheel Nut 12*15*8=74pcs	<b>R</b> Hex Key Wrench 1pc
<b>F</b> Cross Flat Head Screw M6*50=3pcs	<b>S</b> Self-tapping Screw M4*35=72pcs
<b>G</b> Eccentric Wheel Nut 10*11*6=3pcs	
<b>H</b> Drawer Handle Screws Ø4*65=1pc	
<b>I</b> Drawer Handle Ø35*25=1pc	
<b>J</b> Washer Ø4*2=1pc	
<b>K</b> Iron Dowel Ø9*80=4pcs	
<b>L</b> Wooden Dowel Ø10*40=16pcs	
<b>M</b> Self-tapping Screw M3.5*45=24pcs	

Step7: Installing the front guardrail of the upper bed and the ladder connecting board

Hardware: B, E

Step8: Attaching the ladder

Hardware: B, D, E, M, R

Step9: Installing decorative panels  
Note: Secure decorative panels with self-tapping screws from the inner side of the upper bed rail

Hardware: H, I, J, M, P

Step10: Installing bed boards

Hardware: S

Step11: Installing bed slats

After the bed slats are installed on the bed boards, proceed with installation

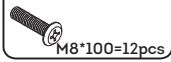
Hardware: F, G, N, O, S

Step12: Completion

Bunk Bed

# INSTALLATION

**A** Cross-head Screw



**B** Pan Head Screw



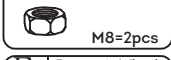
**C** Fully Threaded Rod



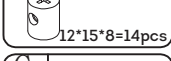
**D** Half-moon



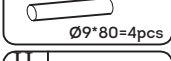
**E** Large Angle Nut



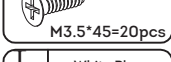
**F** Eccentric Wheel Nut



**G** Iron Dowel



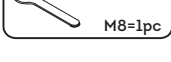
**H** Self-tapping Screw



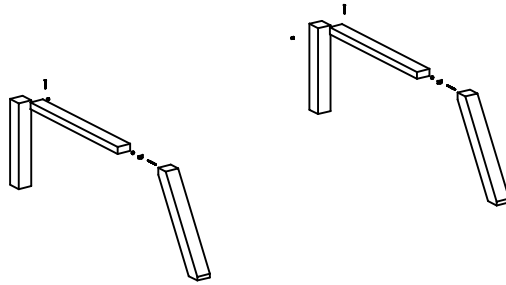
**I** White Plug



**J** Open-ended Wrench

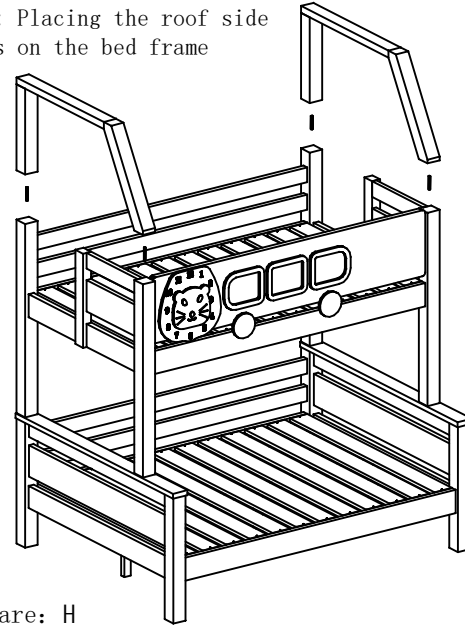


Step1: Installing roof side frames



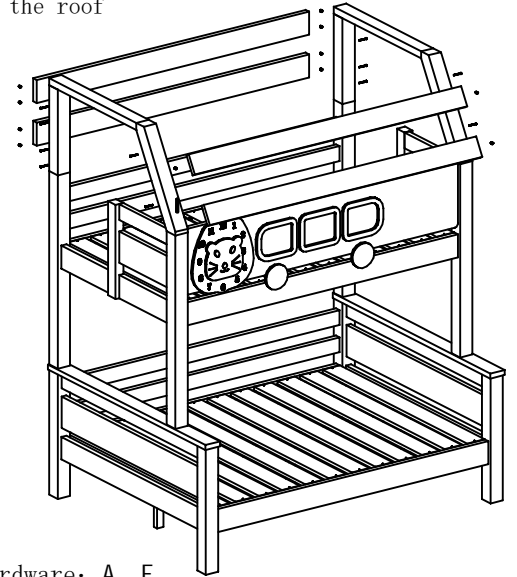
Hardware: B, C, D, E, F, J

Step2: Placing the roof side frames on the bed frame



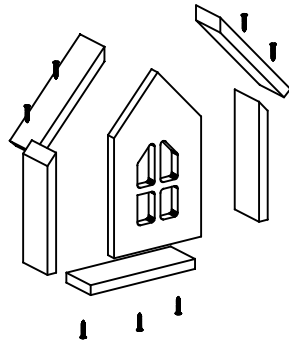
Hardware: H

Step3: Attaching the front and rear guardrails of the roof



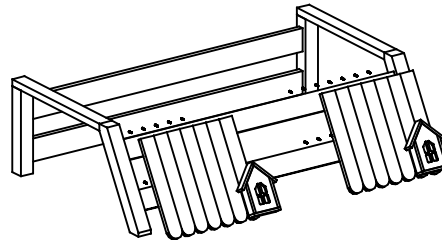
Hardware: A, F

Step4: Installing the small house



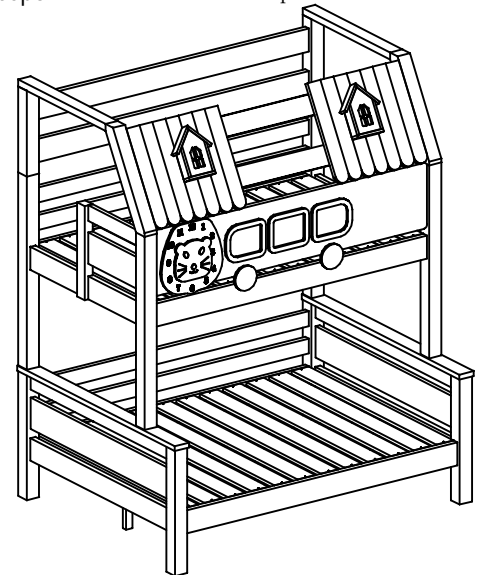
Hardware: H

Step5: Installing decorative panels onto the small house



Hardware: H

Step6: Installation complete

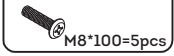


# INSTALLATION

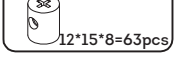
**A** Countersunk Internal Hex Screw



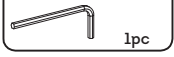
**B** Cross Flat Head Screw



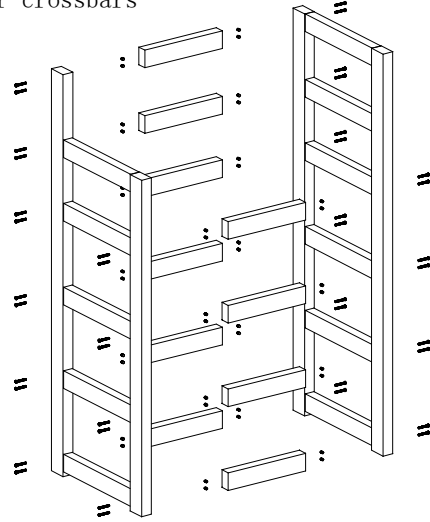
**C** Eccentric Wheel Nut



**D** Hex Key Wrench

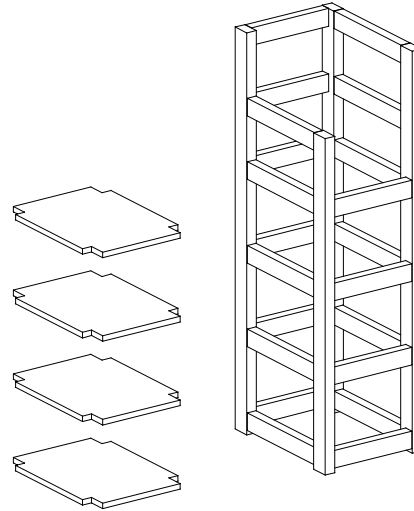


Step1: Installing side frames and front and rear crossbars

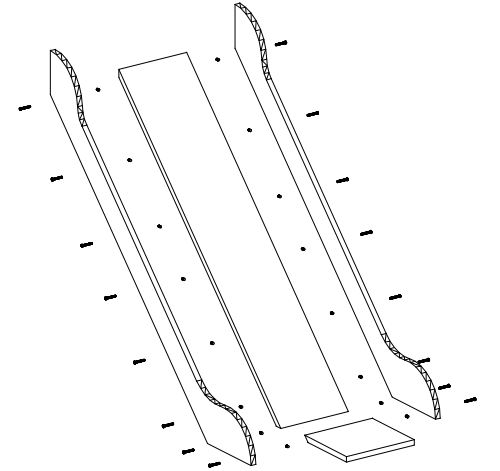


Hardware: A, C, D

Step2: Placing the shelves

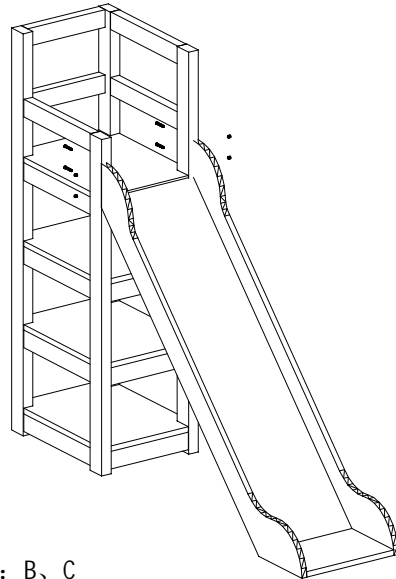


Step3: Installing the slide



Hardware: A, C, D

Step4: Attaching the slide



Hardware: B, C

Step5: Completion

