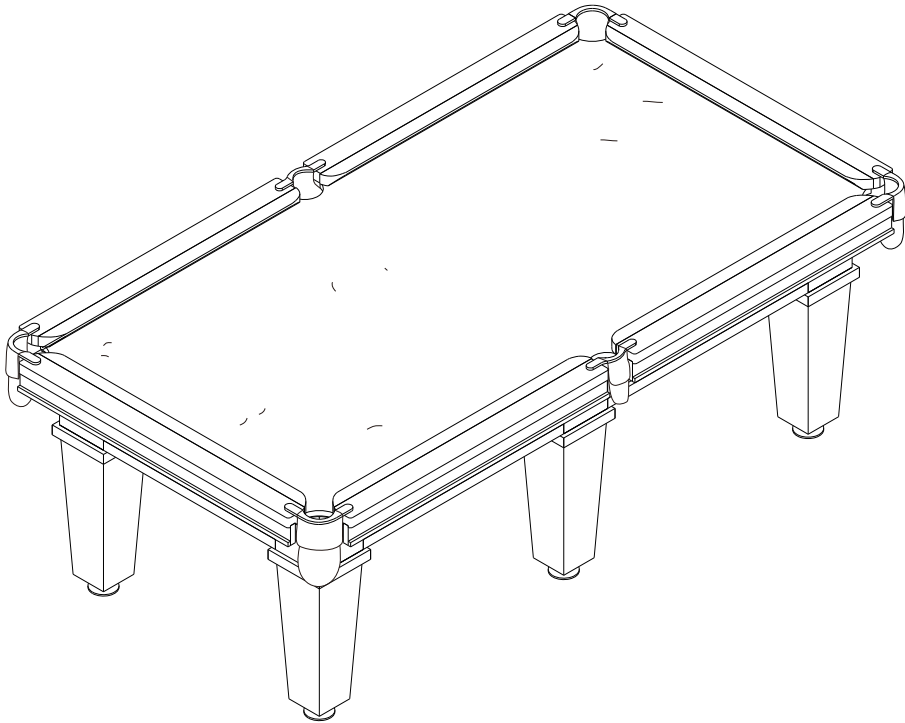

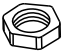




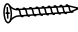






AU-09/10/12



**AU09/10/12 TABLE
ASSEMBLY INSTRUCTIONS**

REPLACEMENT PARTS LIST (HARDWARE)

PACKAGE	ITEM #	SAMPLE	DESCRIPTION	QTY.
LEG/PANEL	H1		FLAT WASHER (pre-attached on leg bolt)	/
	H2		HEX NUT (pre-attached on leg bolt)	/
BEAM/BLOCK	H3		HEX HEAD CROSS BOLT 5/16" X 1-7/16"(M8X36mm)	4
	H4		FLAT WASHER 5/16" I.D.	4
	H5		HEX HEAD CROSS BOLT 5/16" X 2"(M8X51mm)	16
	H6		FLAT WASHER 5/16" I.D.	16
RAIL/POCKET/SLATE	H7		FLAT HEAD SCREW 1/4" X 2-3/4"(M6X70mm)	12
	H8		HEX HEAD CROSS BOLT 1/4" X 1-1/4"(M6X30mm)	12
	H9		FLAT WASHER 1/4" I.D.	12
	H10		HEX HEAD CROSS BOLT 3/8" X 1-3/4"(M10X45mm)	18
	H11		DOME WASHER 3/8" I.D.	18

REPLACEMENT PARTS LIST


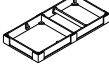
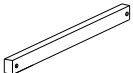


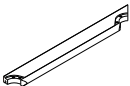
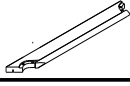
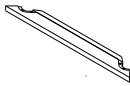

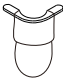
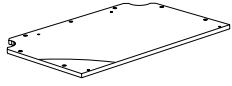
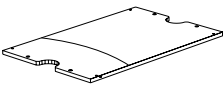
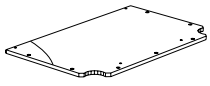

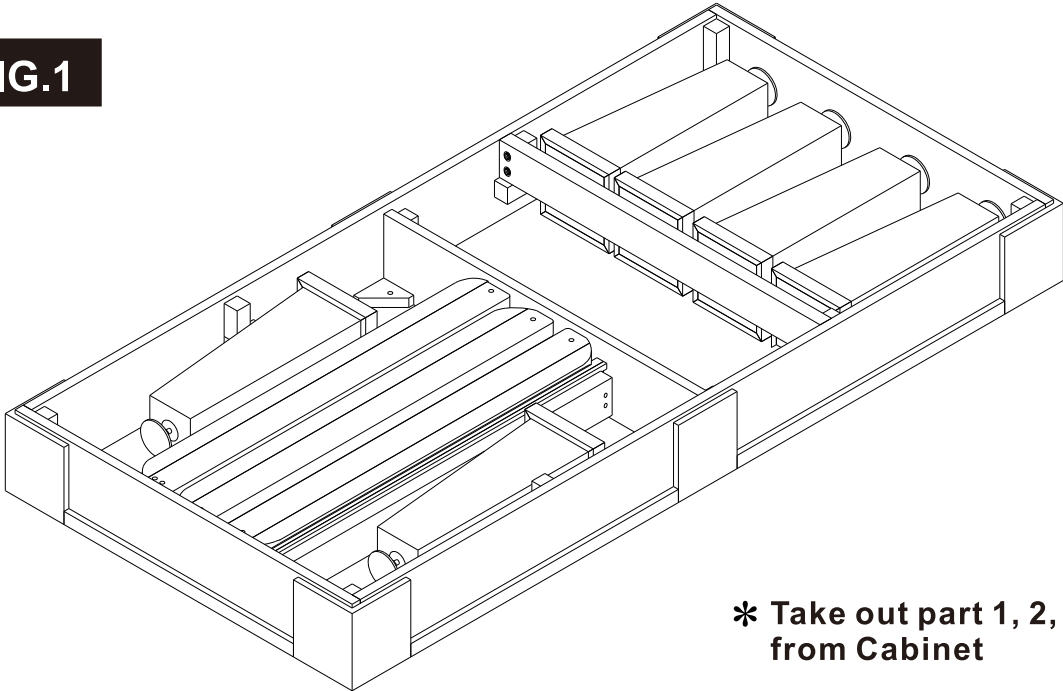
PACKAGE	ITEM #	SAMPLE	DESCRIPTION	QTY.
LEG	1		LEG	6
CABITEN	2		CABINET	1
	3		ONE HOLE CROSS BEAM	1
	4		LONG WOOD BLOCK	4
	5		SHORT WOOD BLOCK	4
TOP RAIL	6		TOP RAIL LEFT SIDE	2
	7		TOP RAIL RIGHT SIDE	2
	8		TOP RAIL END	2
POCKET	9		SIDE POCKET	2
	10		CORNER POCKET	4
SLATE	11		SLATE (LEFT)	1
	12		SLATE (CENTER)	1
	13		SLATE (RIGHT)	1
	14		CLOTH	1

FIG.1



*** Take out part 1, 2, 3, 6, 7, 8 from Cabinet**

FIG.2

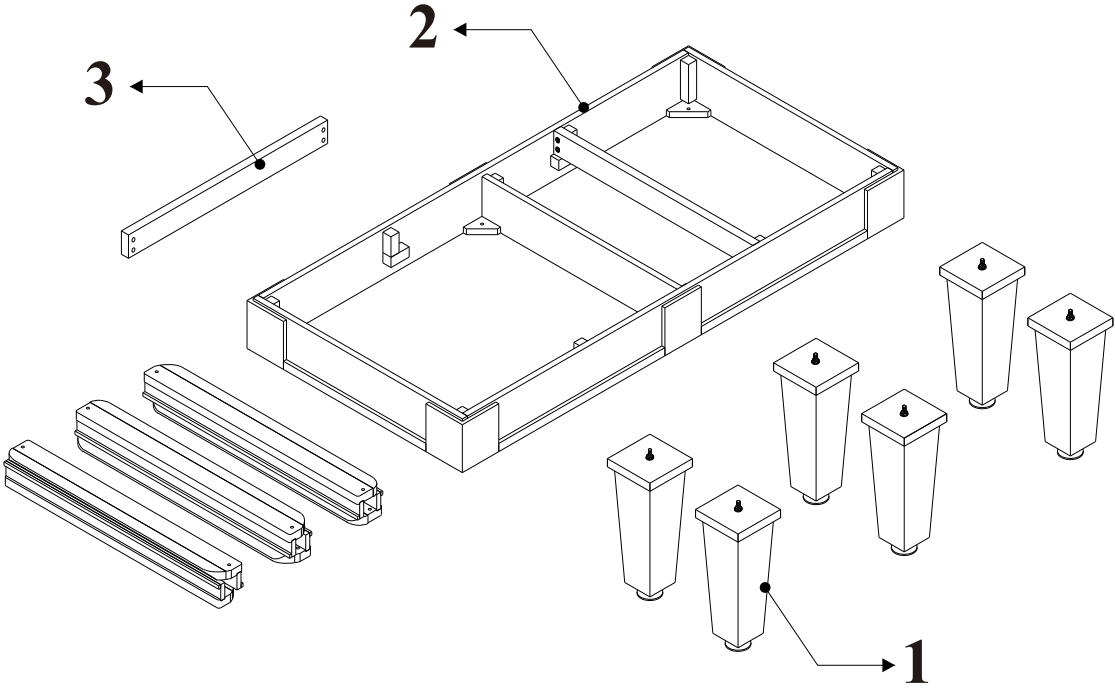


FIG.3

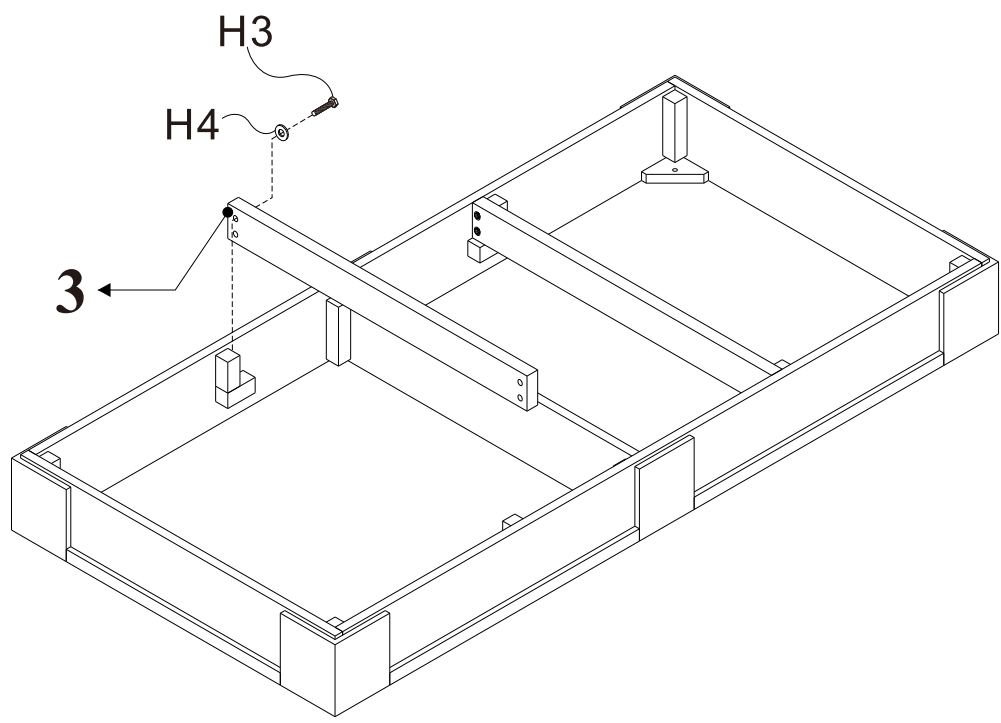


FIG.4

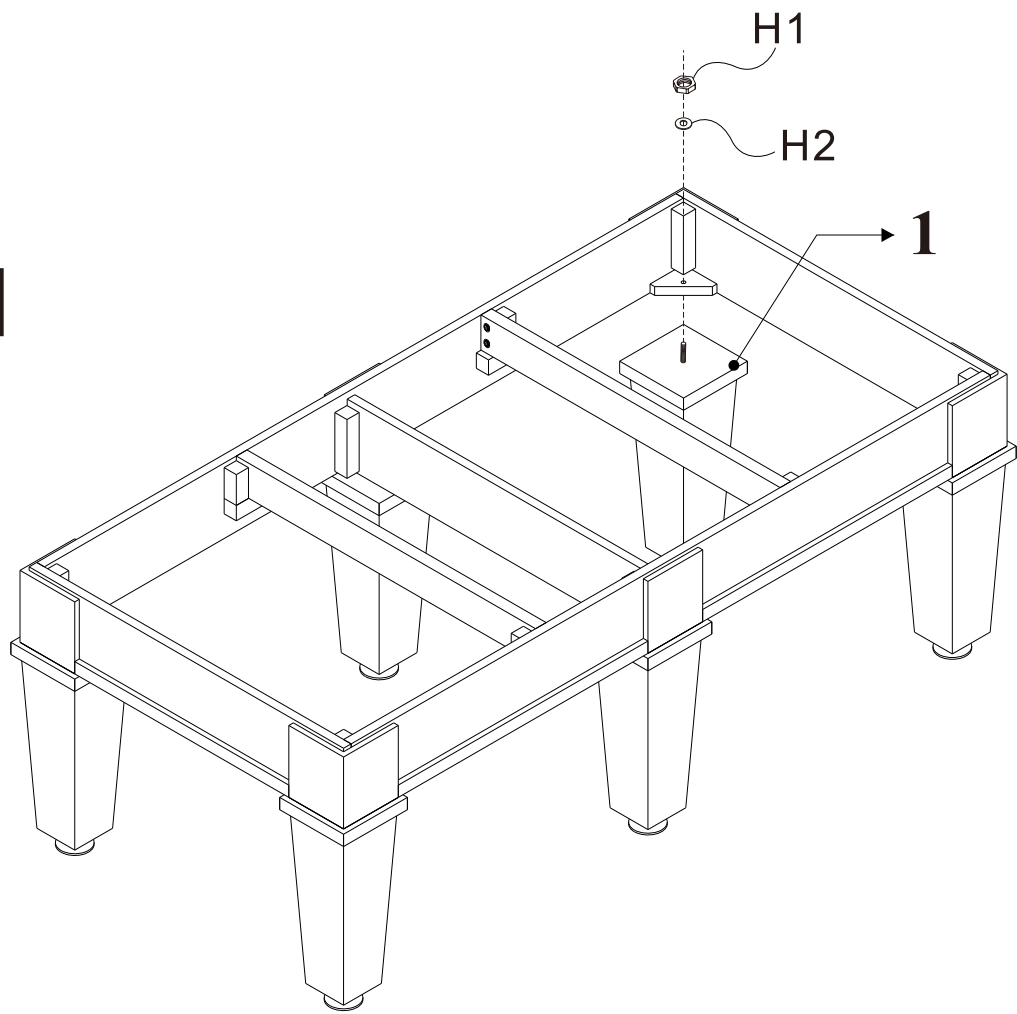


FIG.5

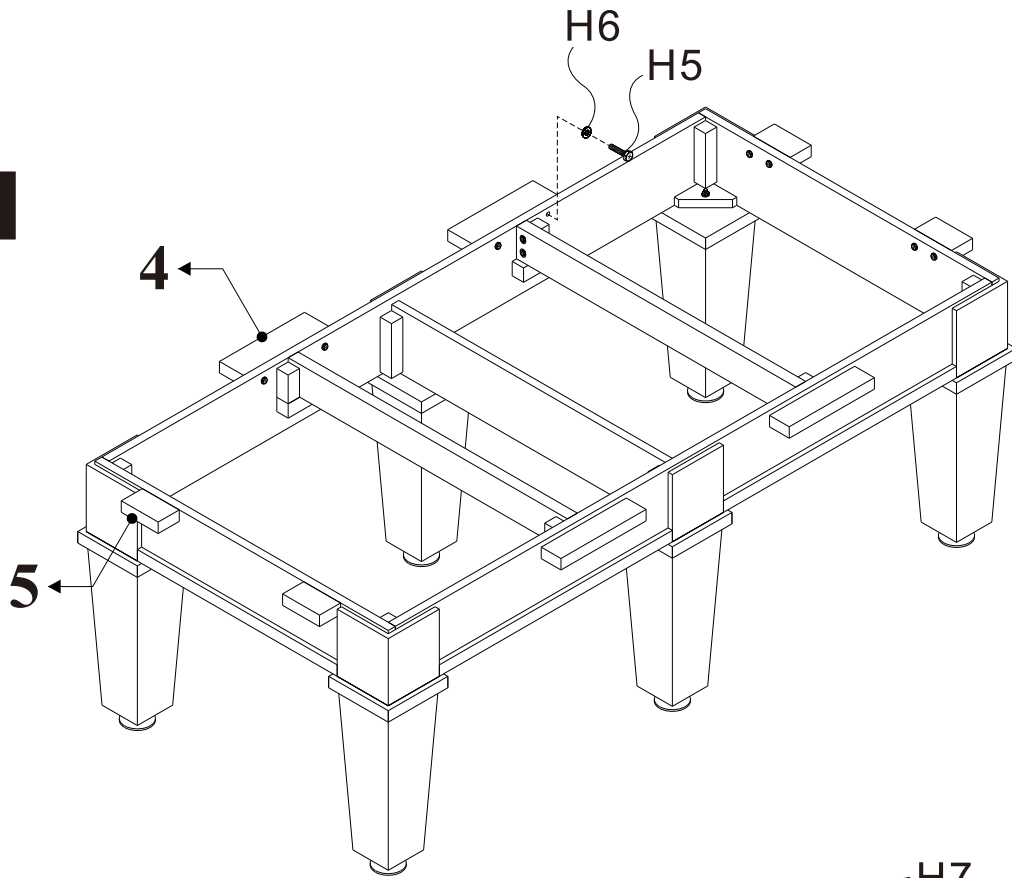


FIG.6

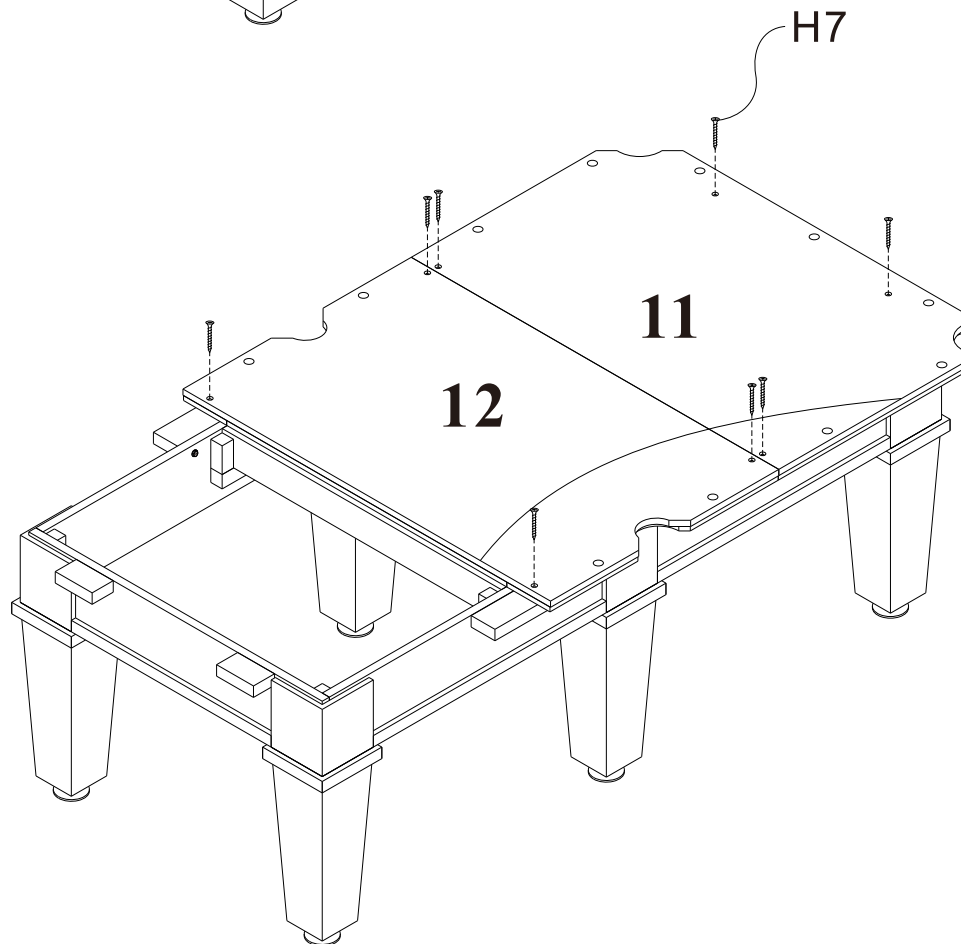
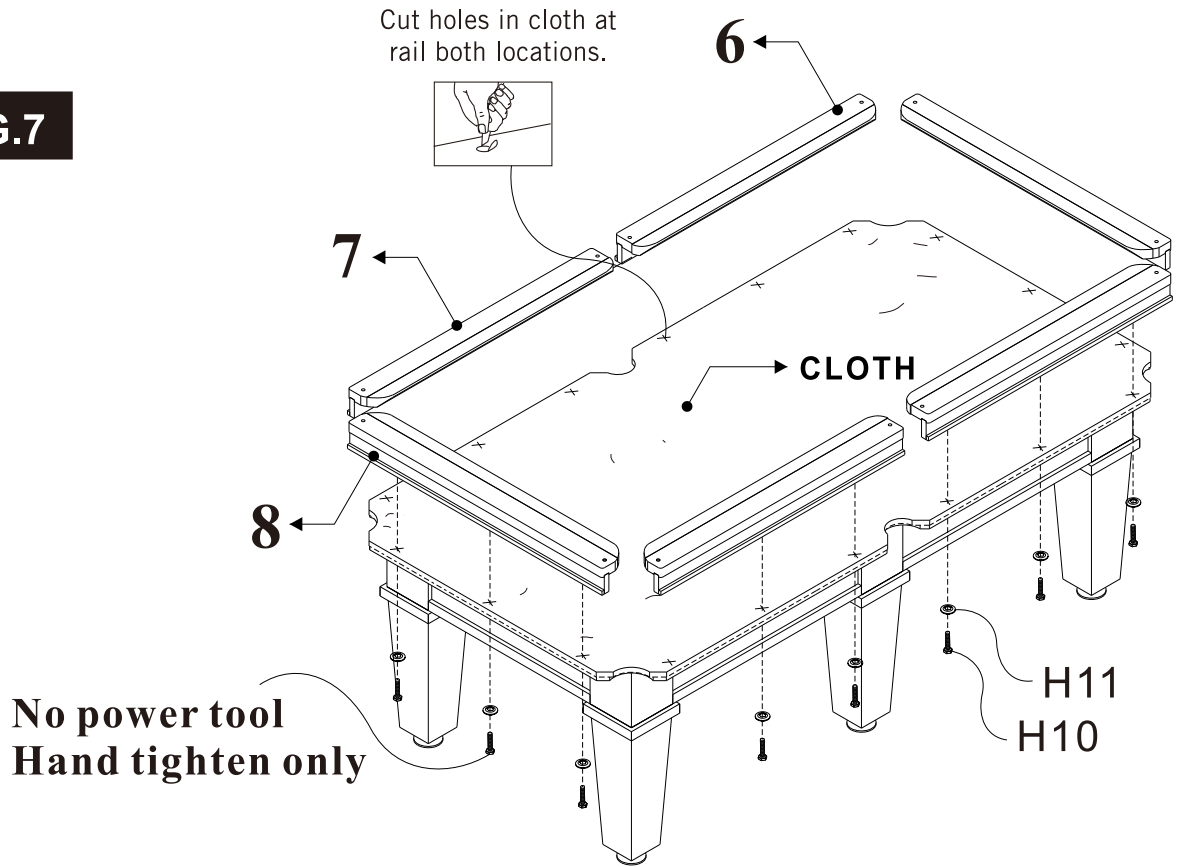


FIG.7



FINISH

