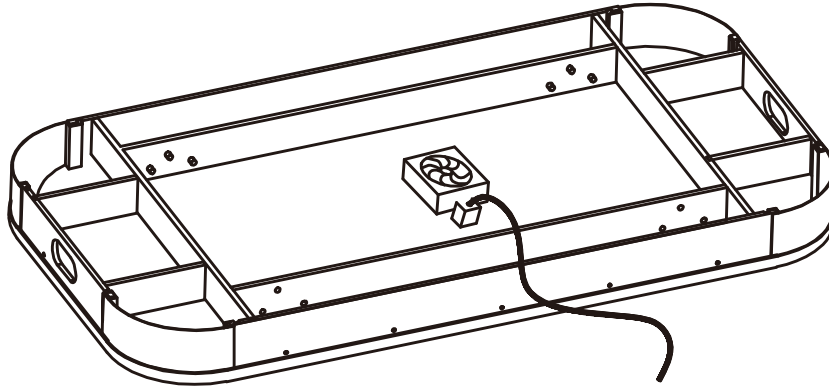


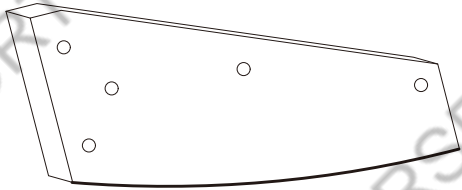
# PARTS IDENTIFIER

P1



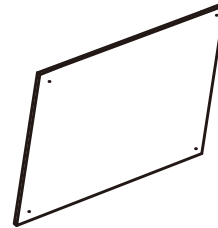
MAIN ASSEMBLY  
1set

P2



LEG 4pcs

P3



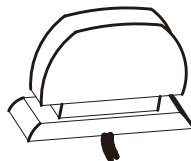
LEG END PANELS  
2pcs

P4



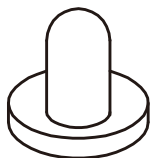
LEG LEVEER  
4PCS

P5



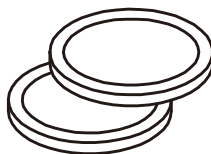
ELECTRONIC SCORER  
1 SET

A1



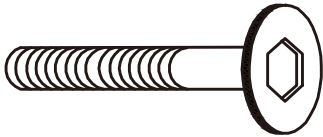
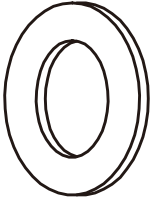
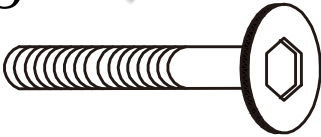
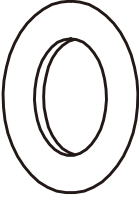

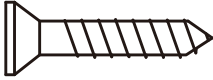

HOCKEY STRIKER  
2 pcs

A2



HOCKEY PUCK  
2pcs

# PARTS IDENTIFIER

<p>H1</p>  <p>5/16" x 1-3/4" BOLT 12 pcs</p>	<p>H2</p>  <p>5/16" BLACK FLAT WASHER 12 pcs</p>	<p>H3</p>  <p>1/4" x 2-1/4" BOLT 8 pcs</p>
<p>H4</p>  <p>1/4" BLACK FLAT WASHER 8 pcs</p>	<p>H5</p>  <p>TOOL 1 pc</p>	<p>H6</p>  <p>3X16mm ROUND HEAD SCREW 4 pcs</p>
<p>H7</p>  <p>1/4" BARREL NUT 8 pcs</p>		

# ASSEMBLY INSTRUCTIONS

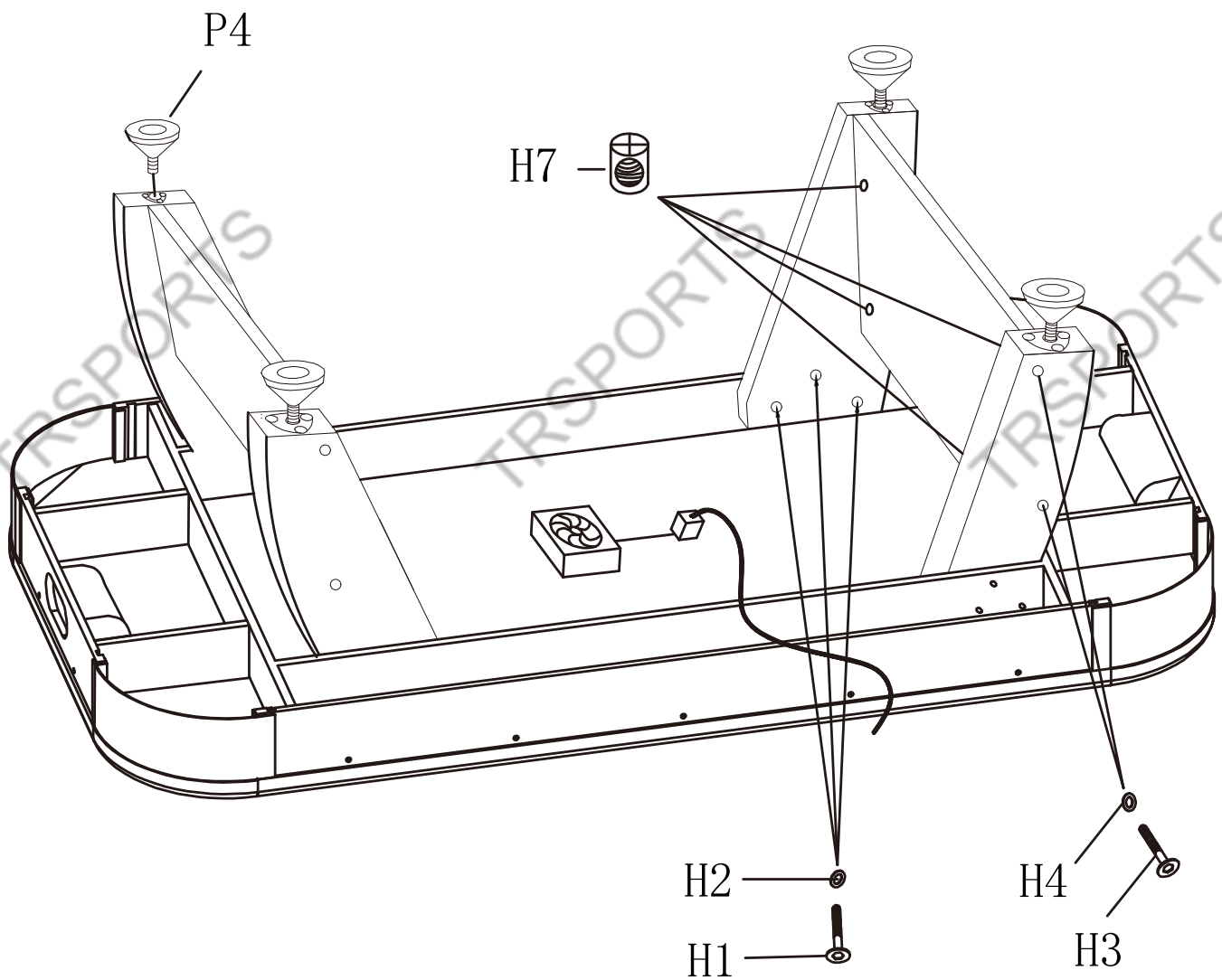
---

## AIR HOCKEY TABLE ASSEMBLY

---

WARNING: TWO ADULTS NEEDED TO ASSEMBLE

FIGURE 1.



# ASSEMBLY INSTRUCTIONS

---

## AIR HOCKEY TABLE ASSEMBLY

---

WARNING: TWO ADULTS NEEDED TO ASSEMBLE

FIGURE 2.

