

ASSEMBLY INSTRUCTIONS

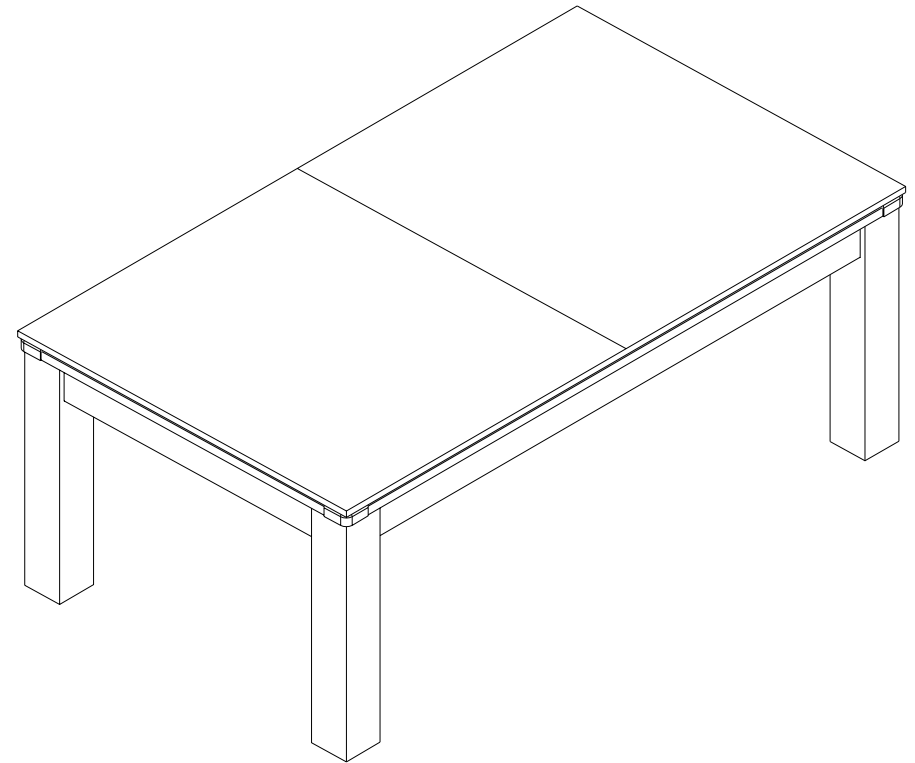
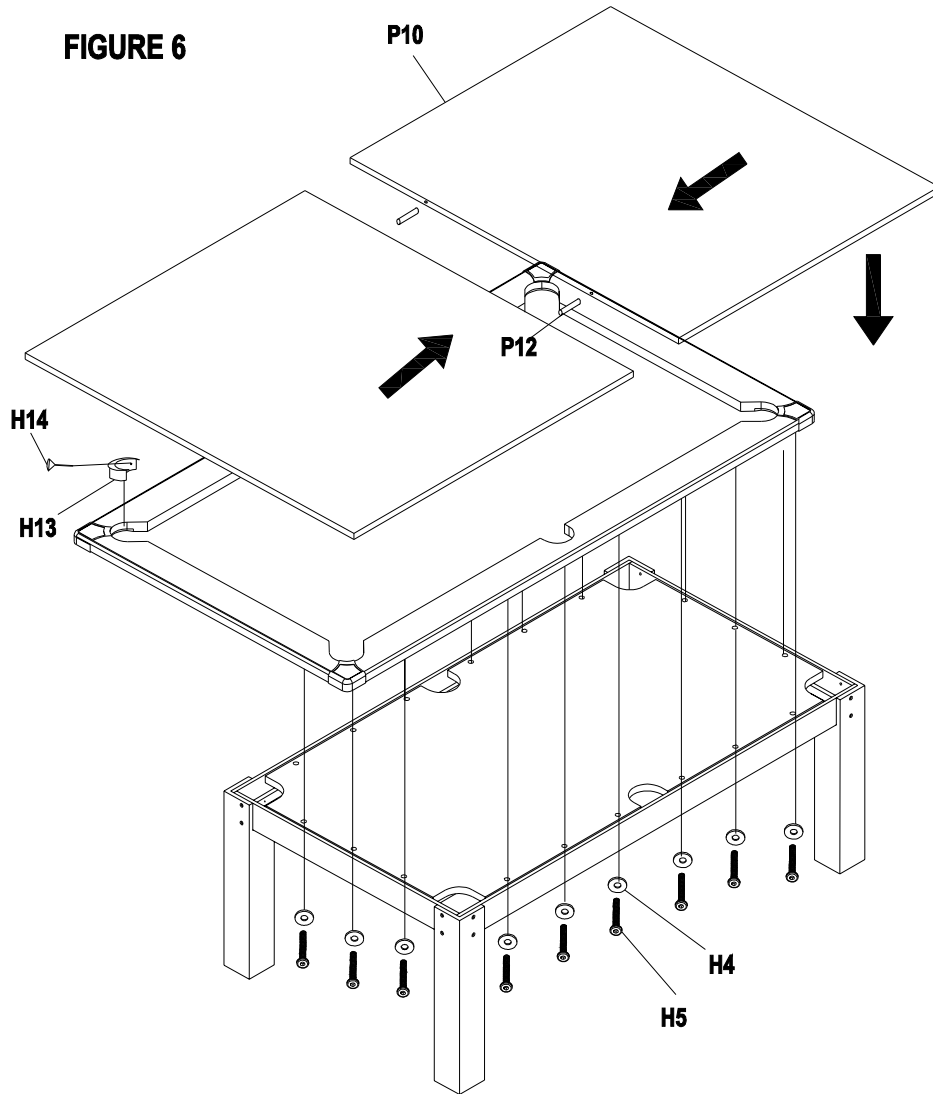
DINNING POOL TABLE

WARNING: TWO ADULTS NEEDED TO ASSEMBLE SOCCER TABLE

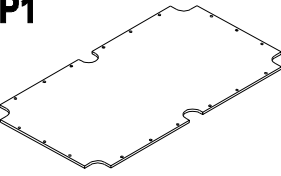
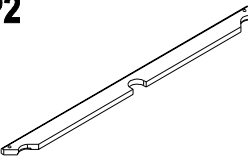
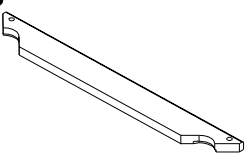
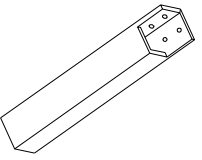
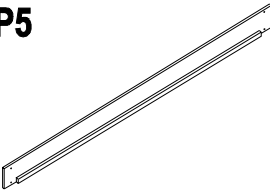
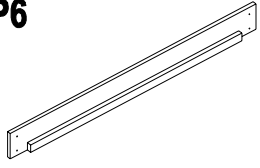
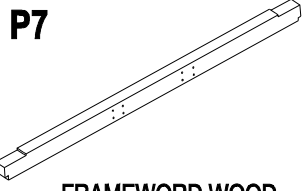
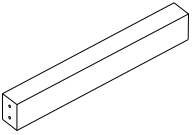
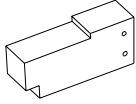
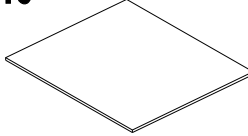
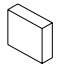
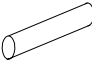
ASSEMBLY INSTRUCTIONS

POOL TABLE

FIGURE 6



PARTS IDENTIFER

<p>P1</p>  <p>SLATE 1 pc</p>	<p>P2</p>  <p>TOP RAIL(LONG) 2pcs</p>	<p>P3</p>  <p>TOP RAIL(END) 2pcs</p>
<p>P4</p>  <p>LEG 4pcs</p>	<p>P5</p>  <p>SIDE PANEL 2pcs</p>	<p>P6</p>  <p>END PANEL 2pcs</p>
<p>P7</p>  <p>FRAMEWORD WOOD 2pcs</p>	<p>P8</p>  <p>FRAMEWORD WOOD 2pcs</p>	<p>P9</p>  <p>FRAMEWORD WOOD 4pcs</p>
<p>P10</p>  <p>DINNER BOAED 2pcs</p>	<p>P11</p>  <p>BLOCK 8pcs</p>	<p>P12</p>  <p>STICK 2pcs</p>

ASSEMBLY INSTRUCTIONS

DINNING POOL TABLE

WARNING: TWO ADULTS NEEDED TO ASSEMBLE SOCCER TABLE

FIGURE 4

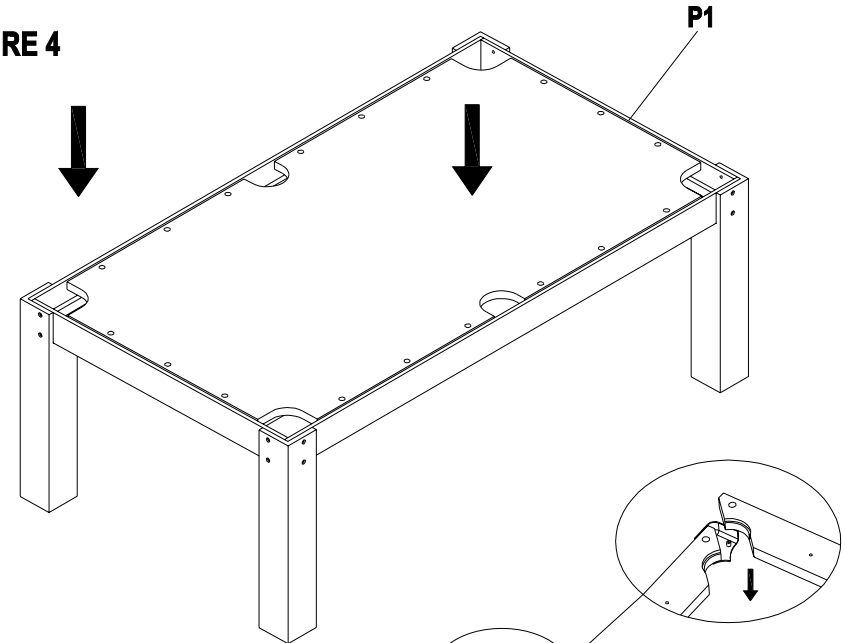
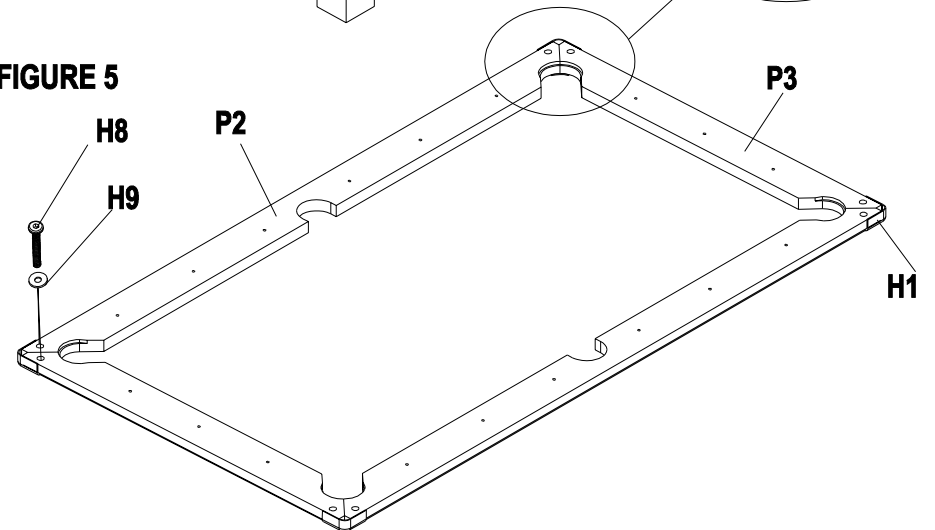


FIGURE 5

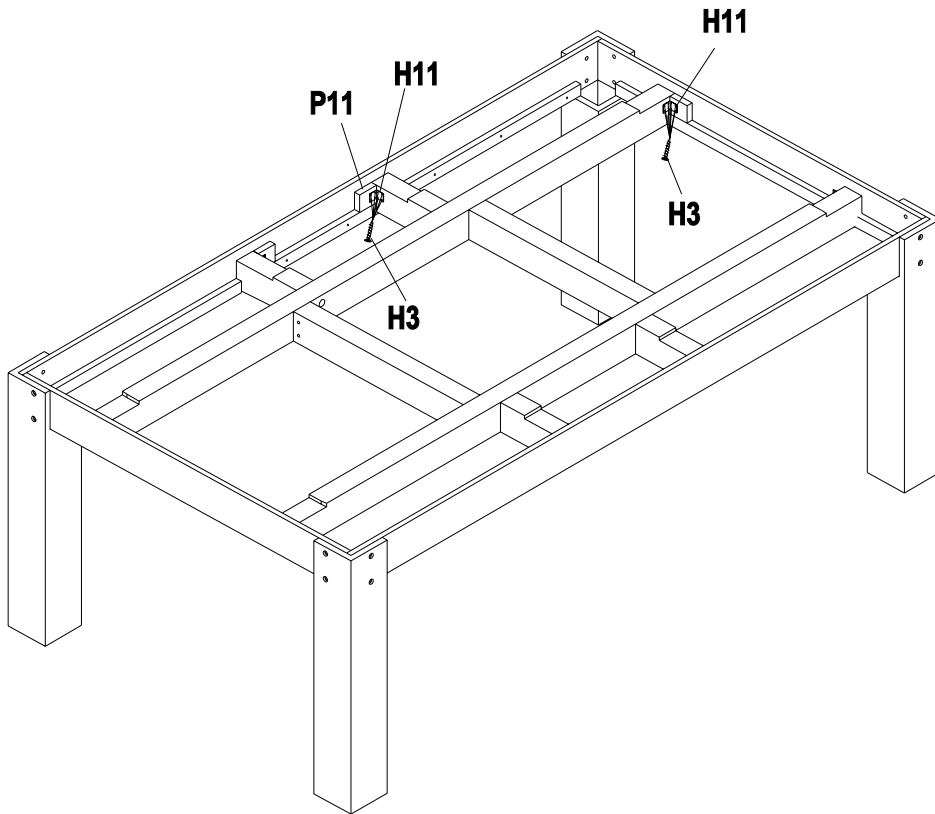


ASSEMBLY INSTRUCTIONS

DINNING POOL TABLE

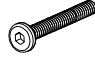



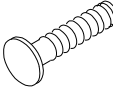
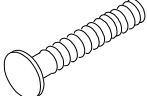





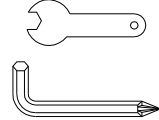

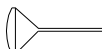
WARNING: TWO ADULTS NEEDED TO ASSEMBLE SOCCER TABLE

FIGURE 3



5

PARTS IDENTIFER

<p>H1</p>  <p>5/16"x3/4" Bolt 16pcs</p>	<p>H2</p>  <p>5/16"Washer 16pcs</p>	<p>H3</p>  <p>1" Flat head screw 64pcs</p>
<p>H4</p>  <p>5/16"x30mm Washer 18pcs</p>	<p>H5</p>  <p>5/16"x1-3/4" Bolt 18pcs</p>	<p>H6</p>  <p>5/16"x2-3/4" Bolt 16pcs</p>
<p>H7</p>  <p>5/16" Washer 16pcs</p>	<p>H8</p>  <p>M5 Bolt 8pcs</p>	<p>H9</p>  <p>1/4" Washer 8pcs</p>
<p>H10</p>  <p>TOP CORNER 4pcs</p>	<p>H11</p>  <p>METAL PLATE 8pcs</p>	<p>H12</p>  <p>Tool 1set</p>
<p>H13</p>  <p>BALL BASKET 6pcs</p>	<p>H14</p>  <p>NAIL 12pcs</p>	

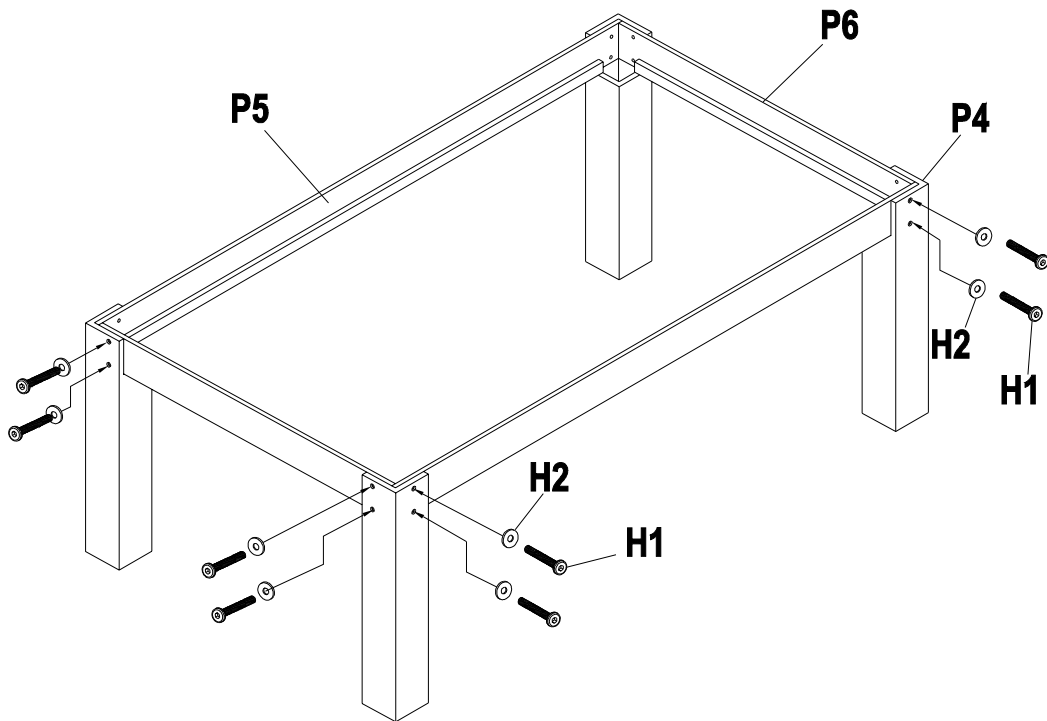
2

ASSEMBLY INSTRUCTIONS

DINNING POOL TABLE

WARNING: TWO ADULTS NEEDED TO ASSEMBLE SOCCER TABLE

FIGURE 1



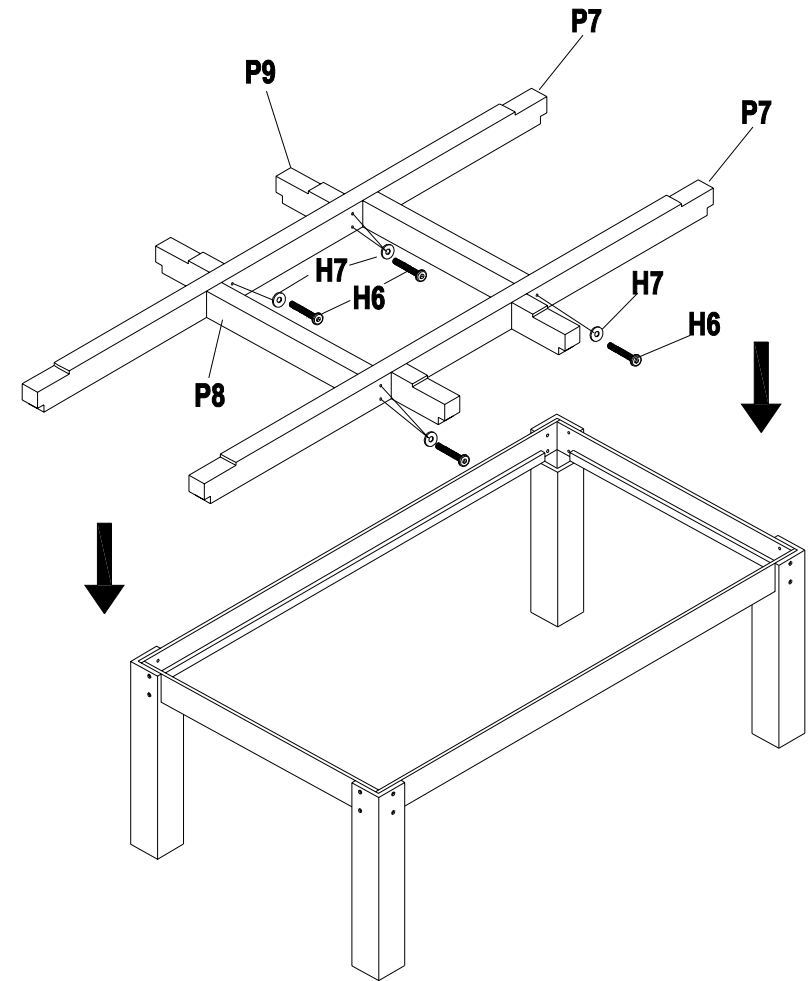
3

ASSEMBLY INSTRUCTIONS

DINNING POOL TABLE

WARNING: TWO ADULTS NEEDED TO ASSEMBLE SOCCER TABLE

FIGURE 2



4